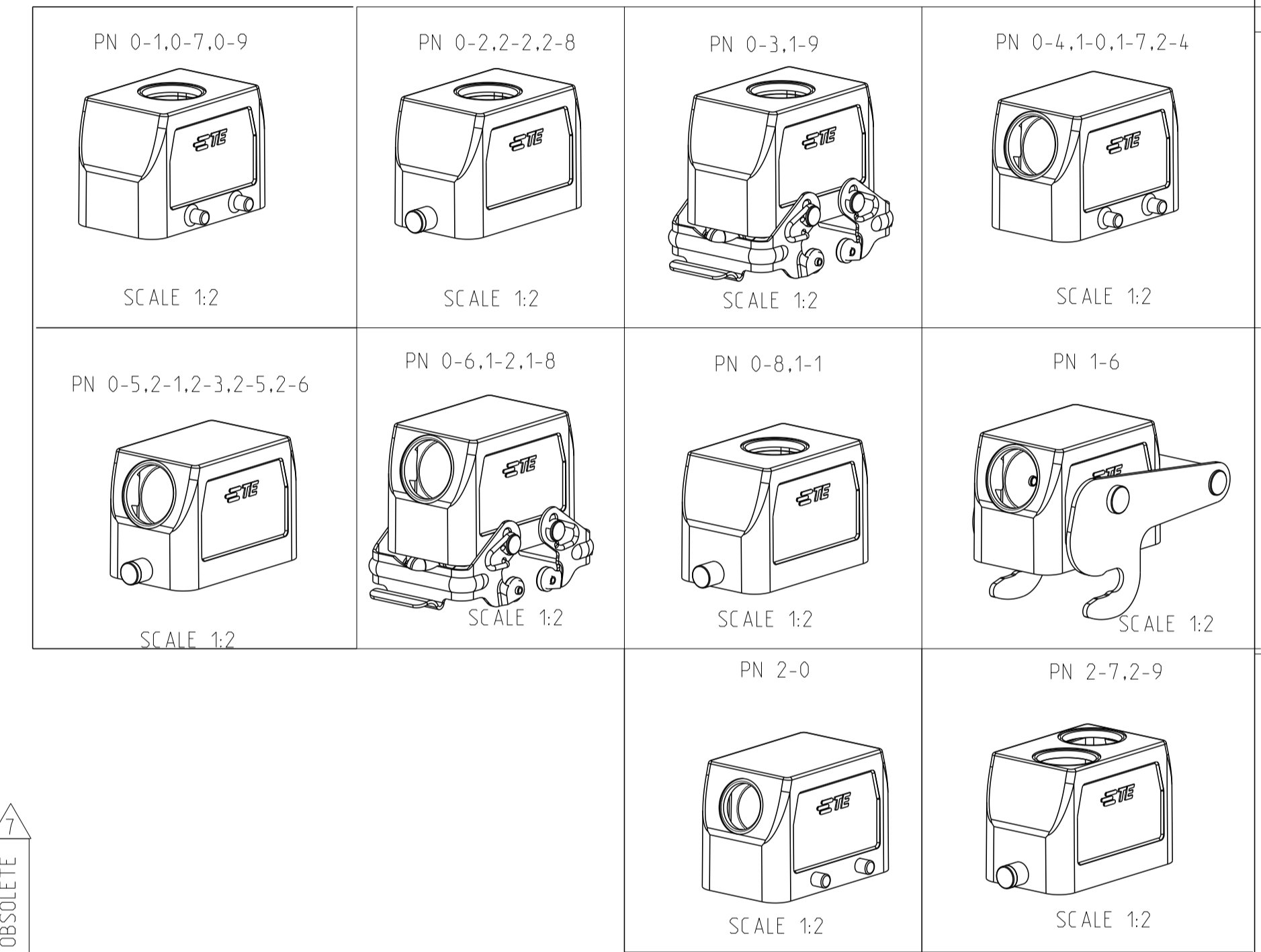
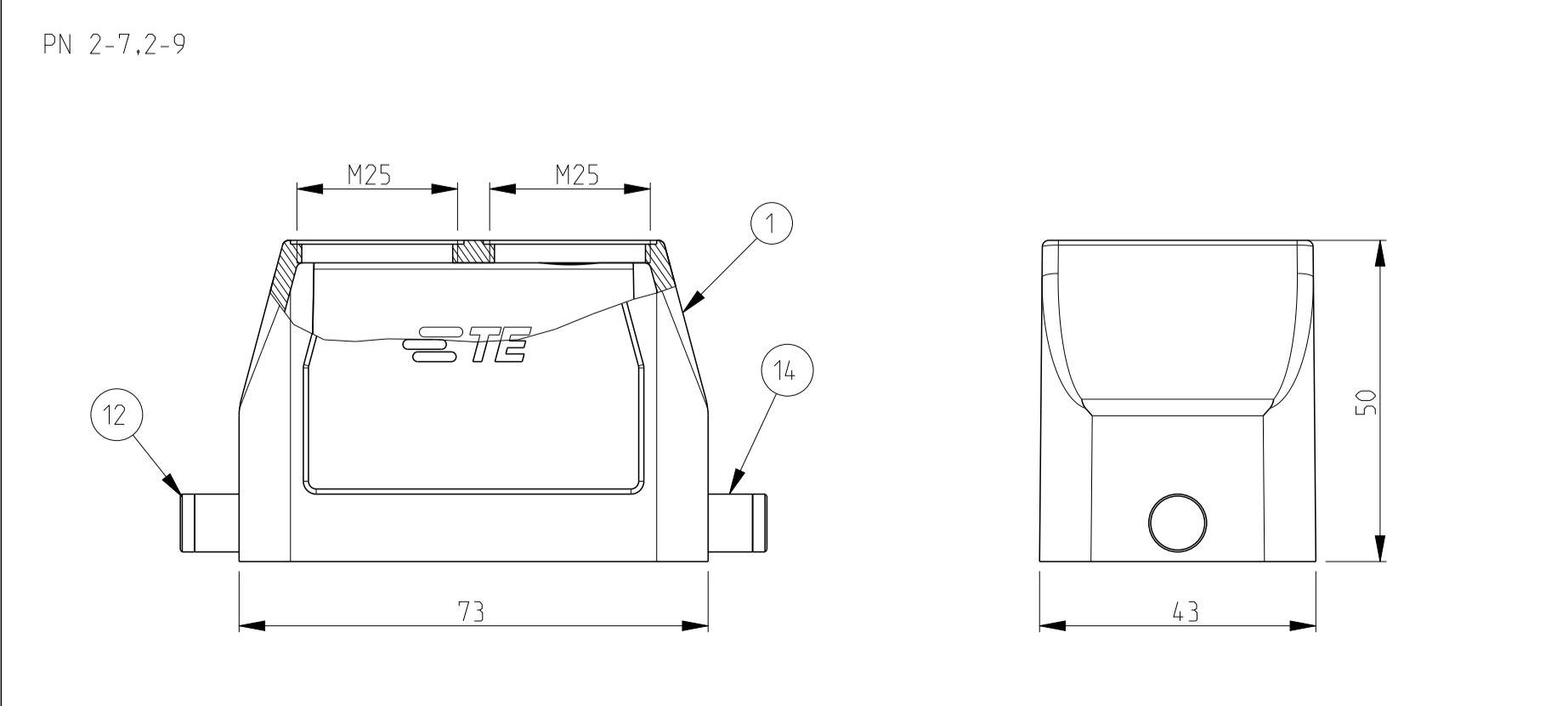
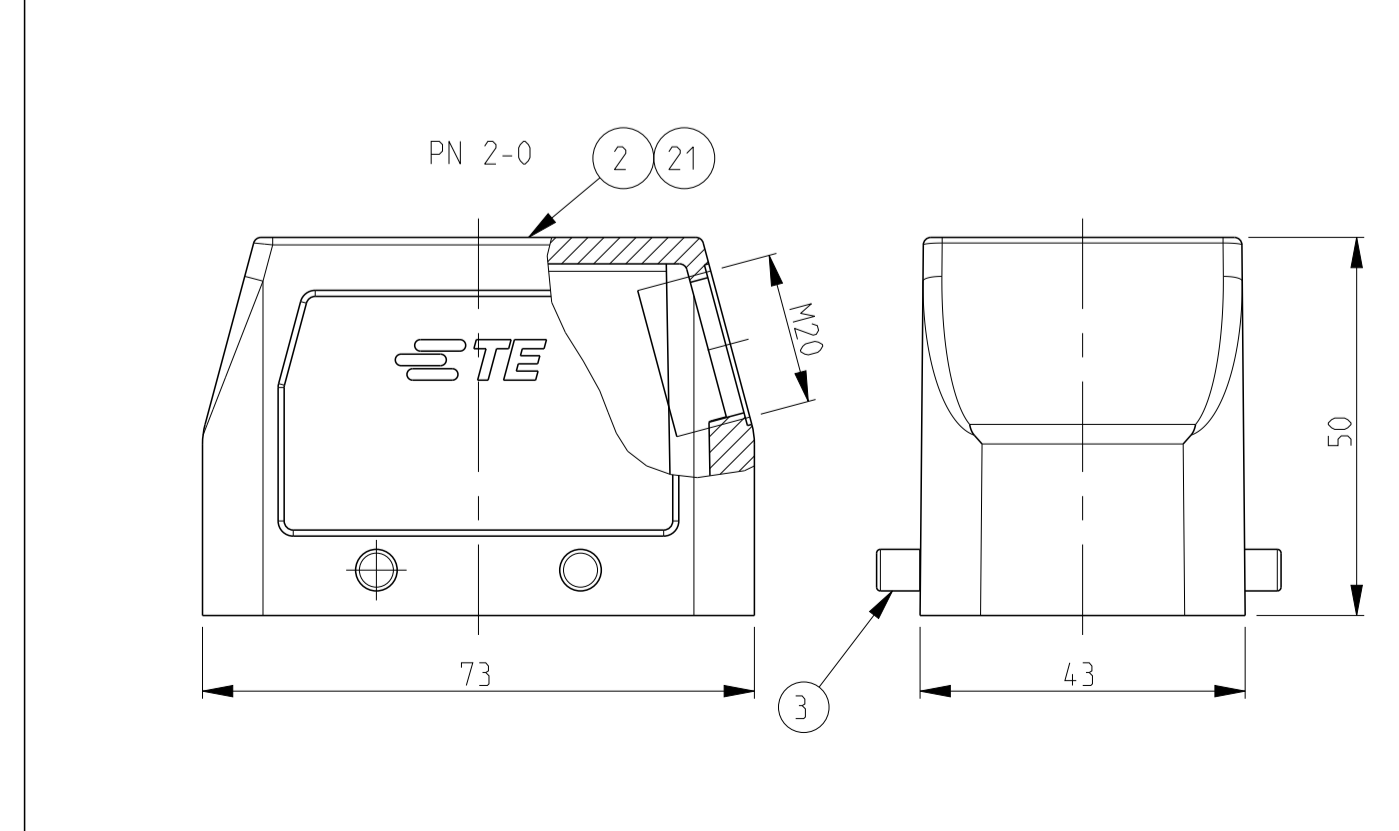
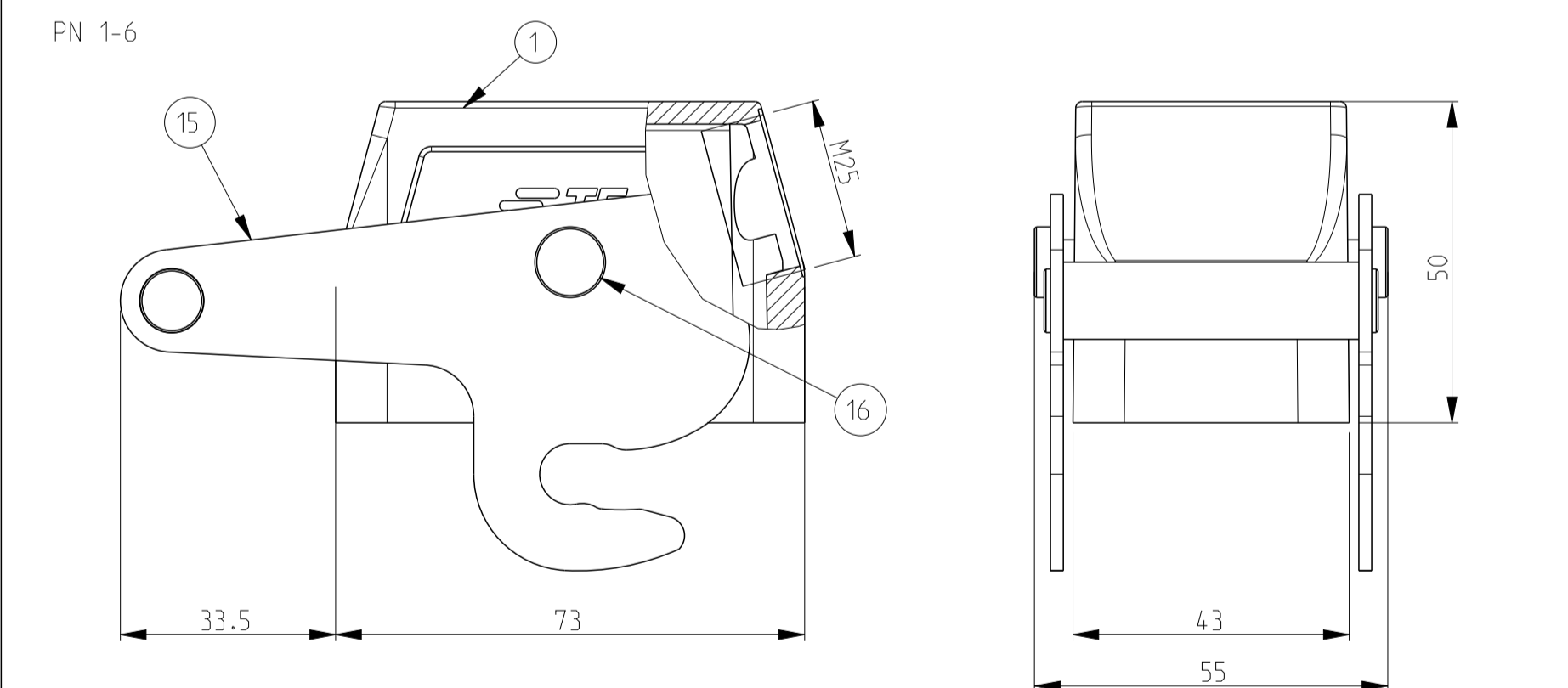
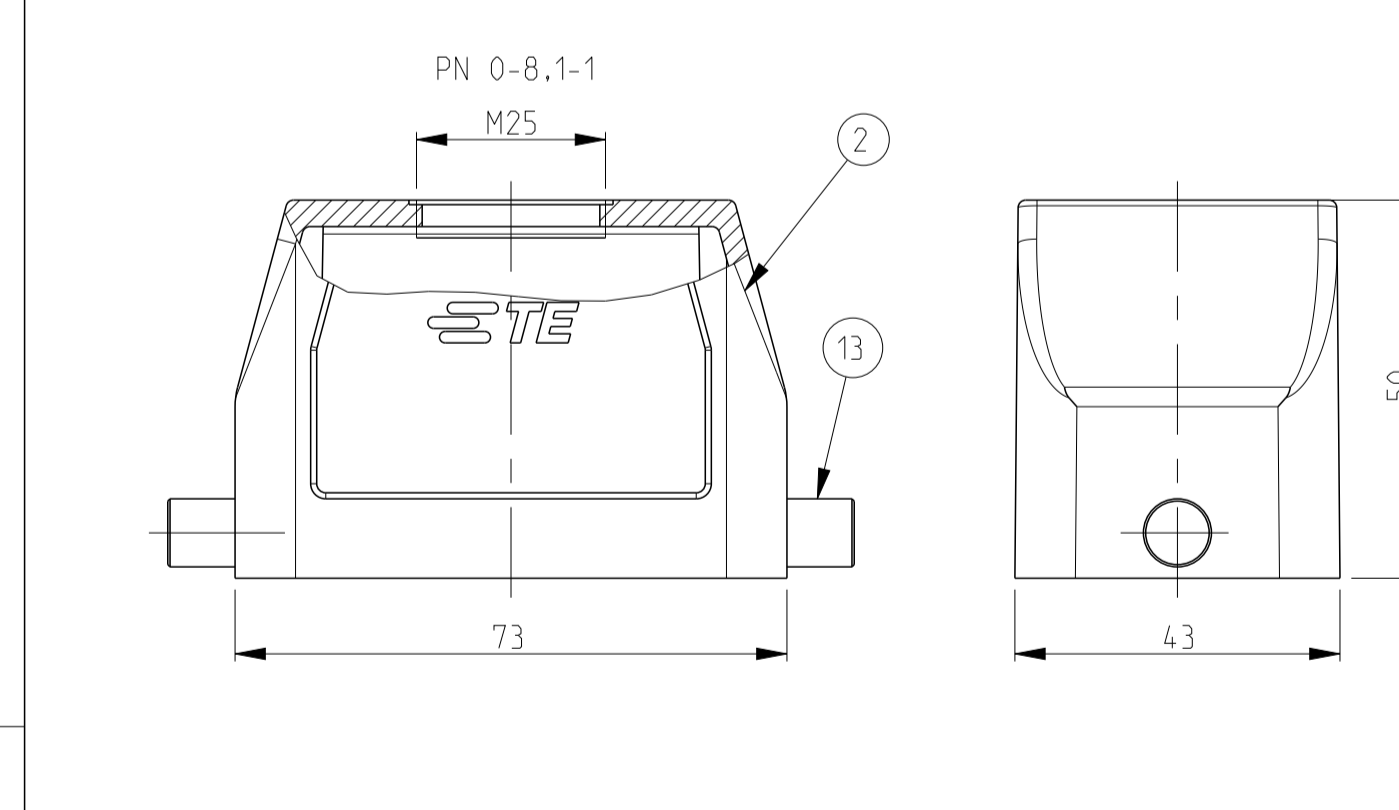
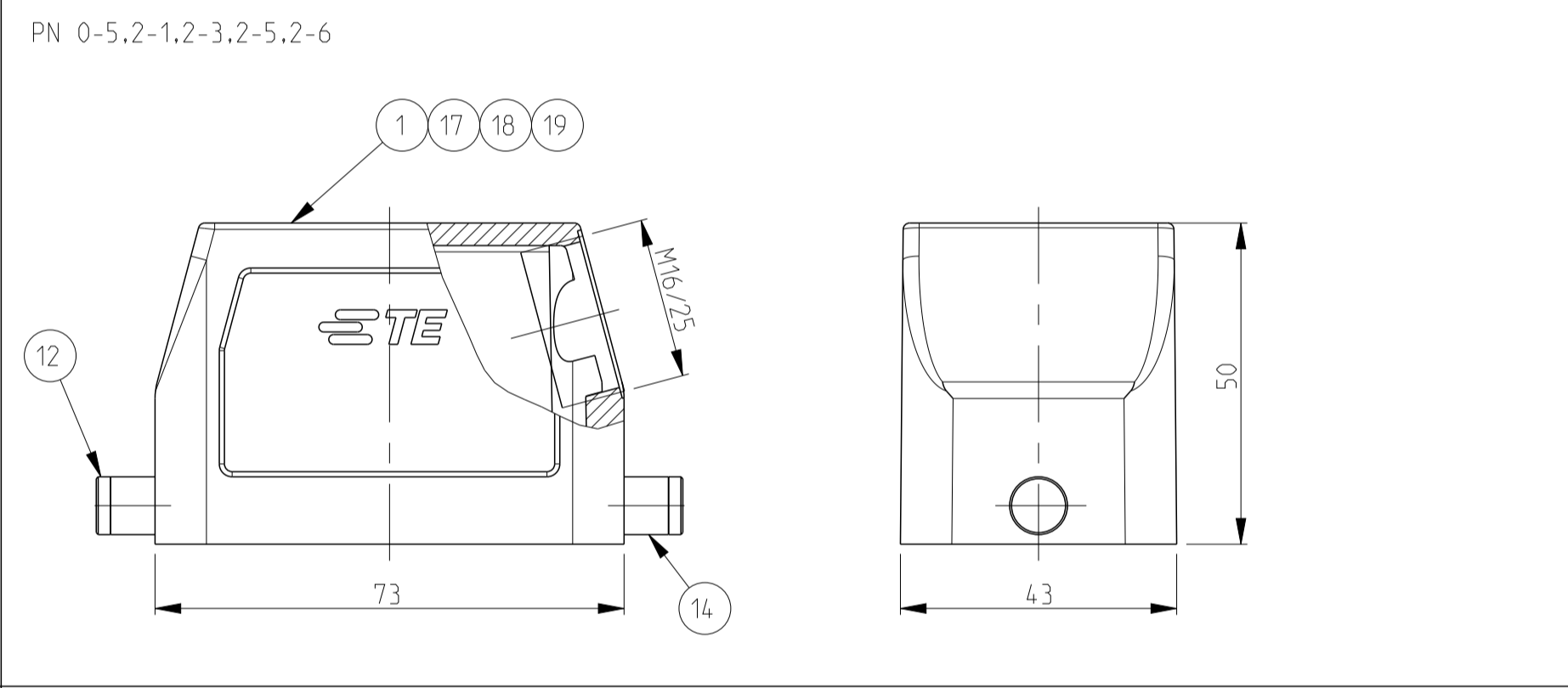
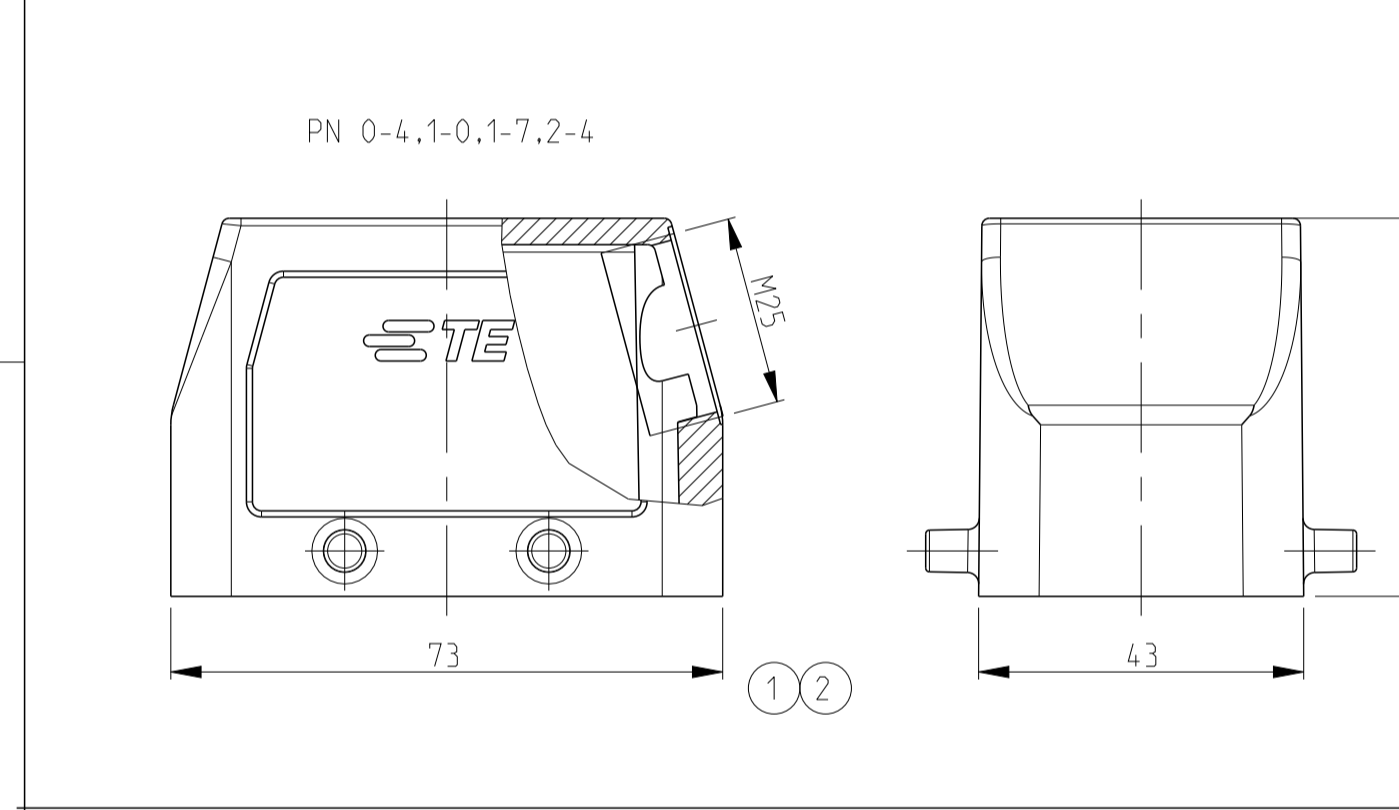
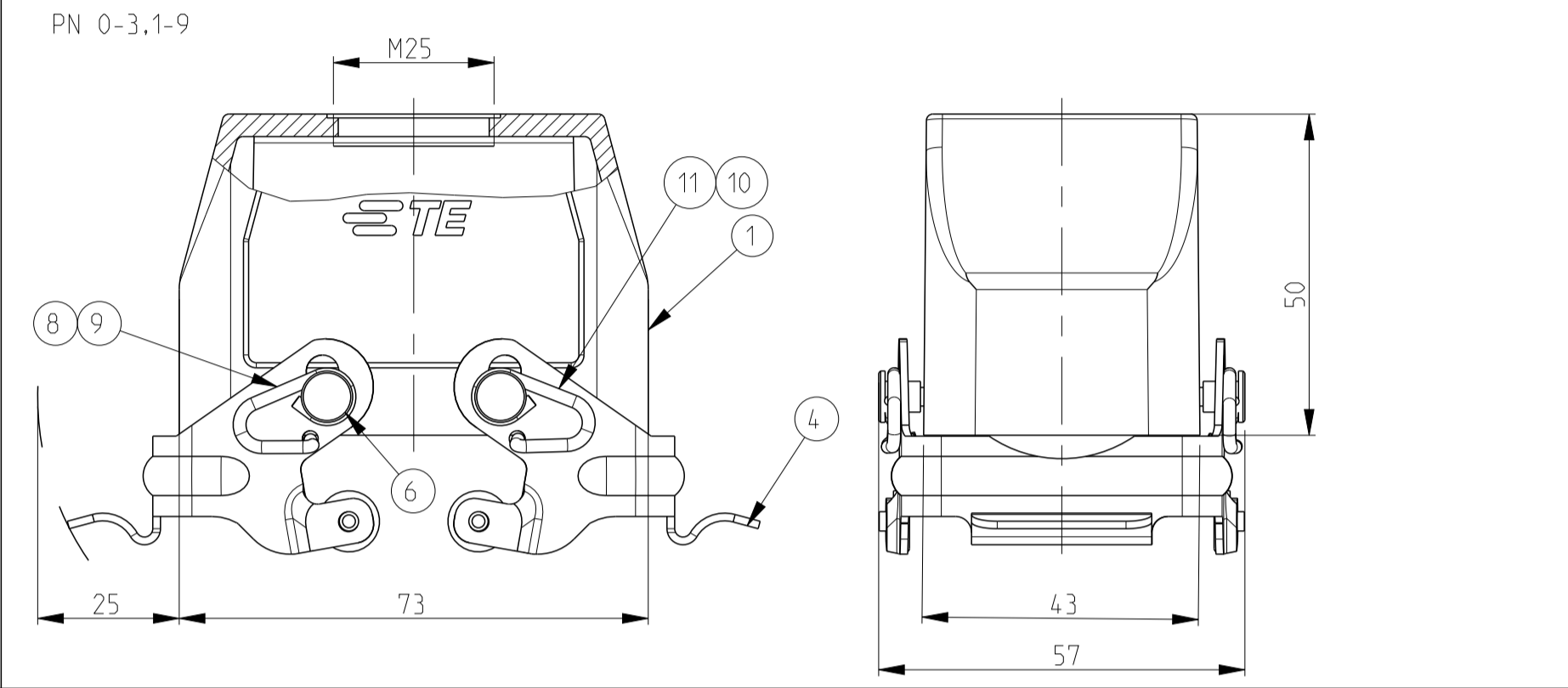
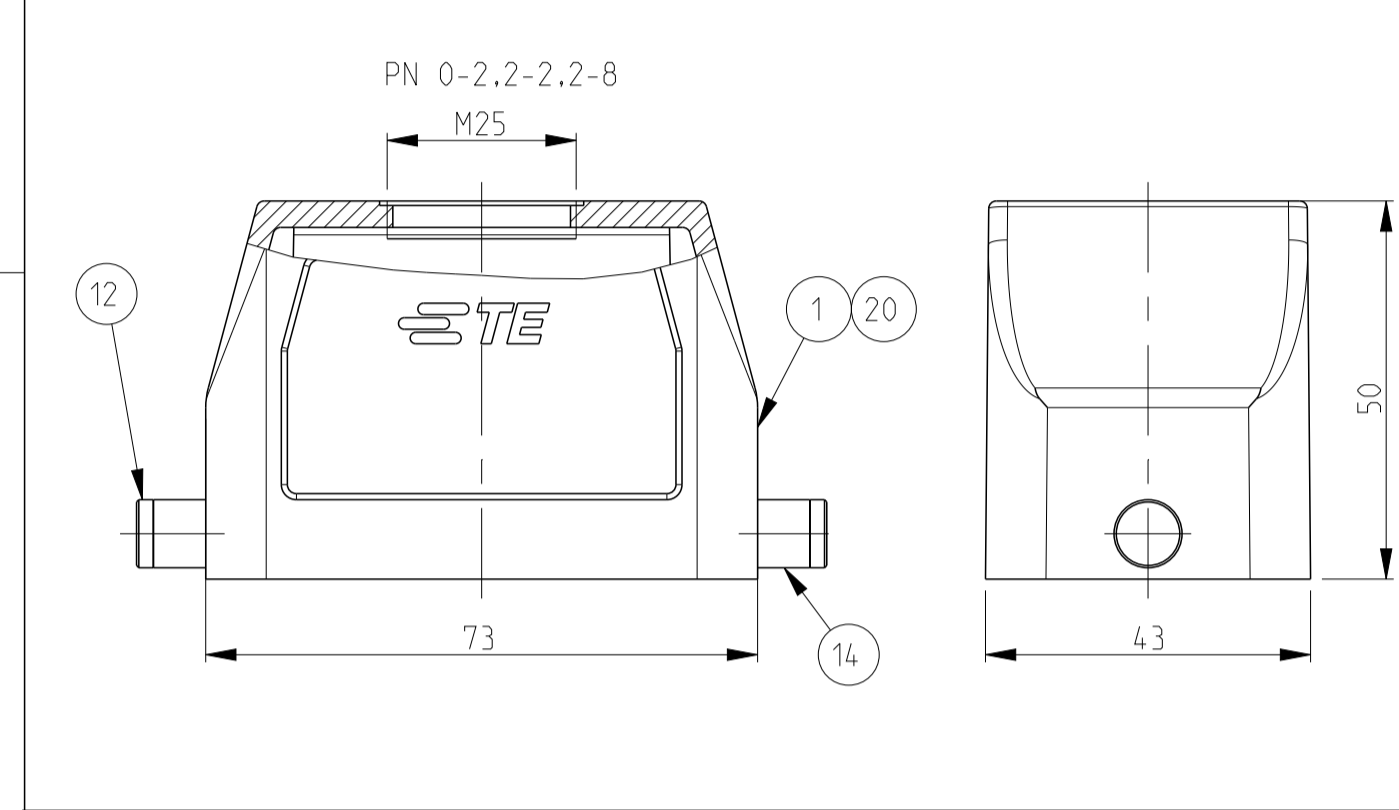
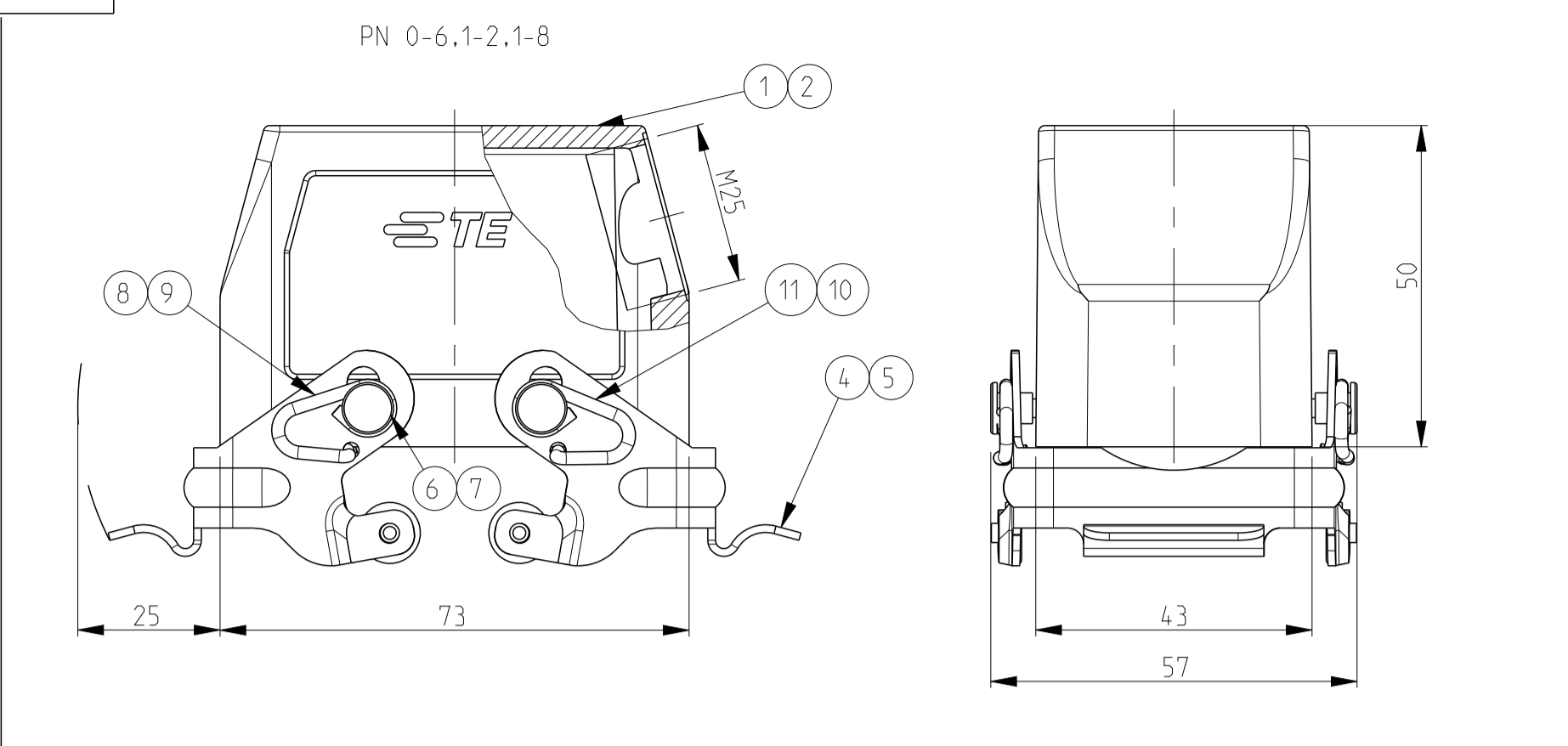
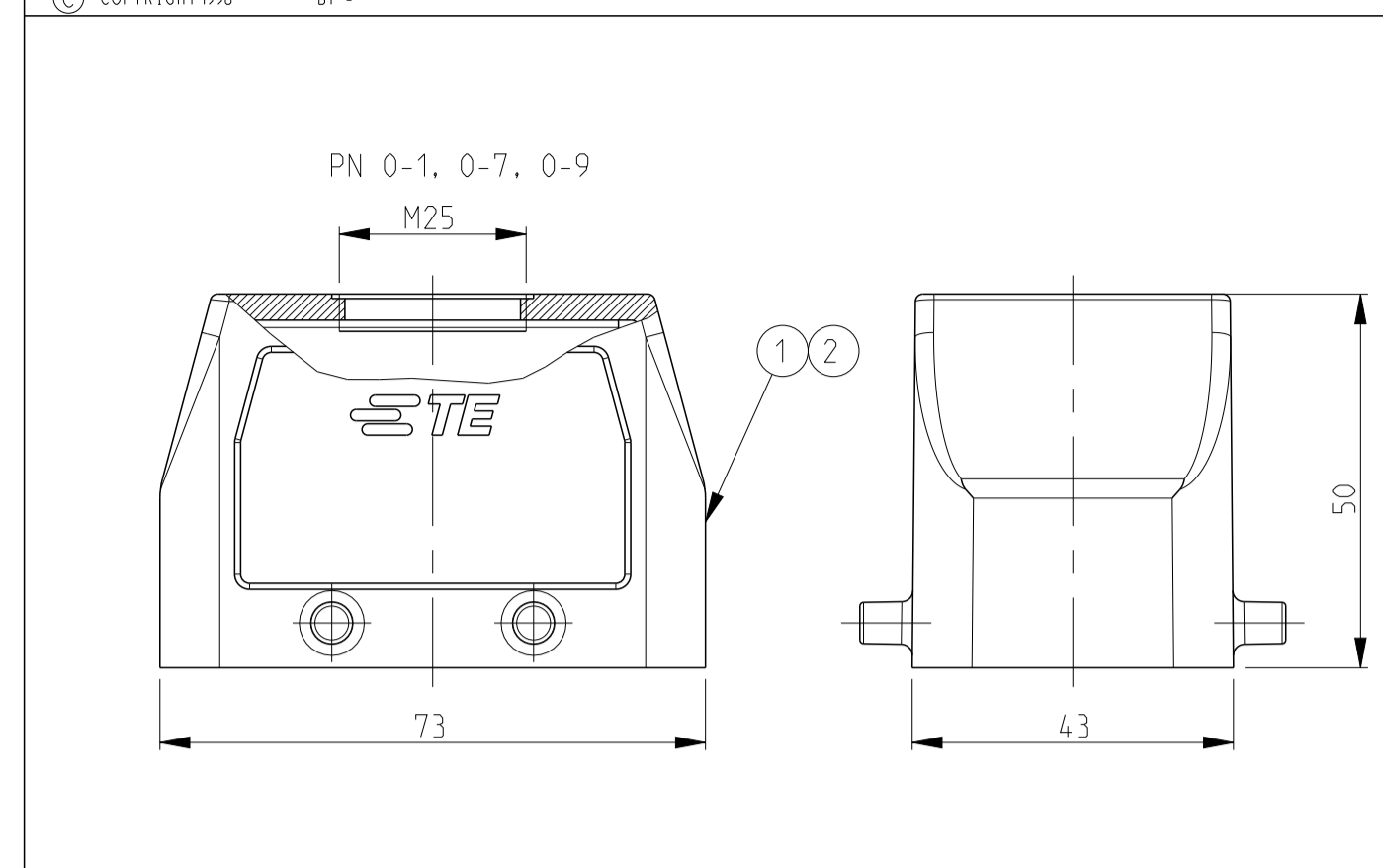


REVISIONS				
P.	LTA	DESCRIPTION	DATE	OWN APVD
A24		ECR-10-016861	12AUG2010	GW GW
A25		ECR-16-016696	18SEP2017	GR MKO

- NOTES
- 1 MATERIAL:HOUSING ALUMINIUM DIECASTING ALLOY
 - 2 SURFACE-POWDER VARNISH GREY
-ALUMINIUM OXIDE
-VARNISH BLACK
- ⚠ PACKAGING QUANTITY 5 PIECES IN A BOX
- 4 VARNISH ON THE INSIDE NOT NECESSARY
- ⚠ SPECIAL PACKAGING QUANTITY 50 PIECES IN A KANBAN BOX
- ⚠ SPECIAL PACKAGING QUANTITY 130 PIECES IN A KANBAN BOX
- ⚠ OBSOLETE PARTS: OBSOLETE CIS STREAMLINING PER D.RENAUD/D.SINISI



QTY	REF	DESCRIPTION	MATERIAL	SURFACE	COLOR	ITEM NO	NOTES
1		HB-EMV HOOD	ALUMINIUM	SEE NOTE	BLANC	21	
1		HB-EMV HOOD	ALUMINIUM	SEE NOTE	BLANC	20	
1		HB HOOD	ALUMINIUM		BLANK	19	
1		HB HOOD	ALUMINIUM		BLANK	18	
1		HB-EMV HOOD	ALUMINIUM	SEE NOTE	BLANK	17	
2	2	ZB-CLIP FIXING	STEEL	ZINC PLATED	BLUE	16	
2	2	ZB-SIDE CLIP	STEEL	ZINC PLATED	BLUE	15	
2	2	LB-SLIDE SPOOL	STEEL	ZINC PLATED	BLUE	14	
2	2	LB-CLIP BOLT	STAINLESS STEEL	BLANK	BLANK	13	
2	2	LB-CLIP BOLT	STEEL	ZINC PLATED	BLUE	12	
2	2	VS-CLIP SPRING RIGHT	STAINLESS STEEL	BLANK	BLANK	11	
2	2	VS-CLIP SPRING RIGHT	STEEL	ZINC PLATED	BLUE	10	
2	2	VS-CLIP SPRING LEFT	STAINLESS STEEL	BLANK	BLANK	9	
2	2	VS-CLIP SPRING LEFT	STEEL	ZINC PLATED	BLUE	8	
4	4	VS-CLIP FIXING	STAINLESS STEEL	BLANK	BLANK	7	
2	2	VS-CLIP FIXING	STEEL	ZINC PLATED	BLUE	6	
2	2	VS-SIDE CLIP	STAINLESS STEEL	BLANK	BLANK	5	
2	2	VS-SIDE CLIP	STEEL	ZINC PLATED	BLUE	4	
1	1	VS-CLIP BOLT	STAINLESS STEEL	BLANK	BLANK	3	
1	1	HB-K HOOD	ALUMINIUM	ALUMINIUM OXIDE	BLACK	2	
1	1	HB HOOD	ALUMINIUM		GREY	1	

THIS DRAWING IS A CONTROLLED DOCUMENT. DWN: SCHNEIDER 11.12.2002
 CHK: SCHWELGER 11.12.2002

STE TE Connectivity

PRODUCT SPEC: 108-740001/108-740003
 APPLICATION SPEC: 114-740001/114-740004

NAME: HOOD HB.10 WITH M-THREAD
 SIZE: A1 CAGE CODE: 00779 DRAWING NO: C=1106430

CUSTOMER DRAWING SCALE: 1:1 SHEET 1 OF 1 REV: A25

X-ON Electronics

Largest Supplier of Electrical and Electronic Components

Click to view similar products for [Heavy Duty Power Connectors](#) category:

Click to view products by [TE Connectivity](#) manufacturer:

Other Similar products are found below :

[1424439](#) [1424438](#) [09330062652](#) [2-8675P1](#) [605601-1](#) [6340G1](#) [6341G1](#) [6360G1](#) [6373G1](#) [6374g2](#) [6396G1](#) [647757-1](#) [66394-4](#) [6643411-1](#)
[6646058-2](#) [6646137-1](#) [6646138-1](#) [6646348-1](#) [6646479-1](#) [6646608-1](#) [6646786-1](#) [6646940-1](#) [6651091-1](#) [6651525-1](#) [6651529-1](#) [6651778-1](#)
[6651788-1](#) [696465-1](#) [696475-1](#) [73000005059](#) [73000005349](#) [73000005642](#) [73080255059](#) [73080965046](#) [765-15-0080A](#) [765-16-0080B](#)
[789.700-44](#) [789.700-54](#) [80-1010](#) [80-9](#) [827381-1](#) [829992-1](#) [902-77-02113](#) [PL00U-301-10D10](#) [PM103MOOLOO](#) [PM16S1620S32-50](#)
[PM212MOOLOO](#) [PM309FOOLOO](#) [PM324FOOLCH](#) [PMHPAF11S03](#)