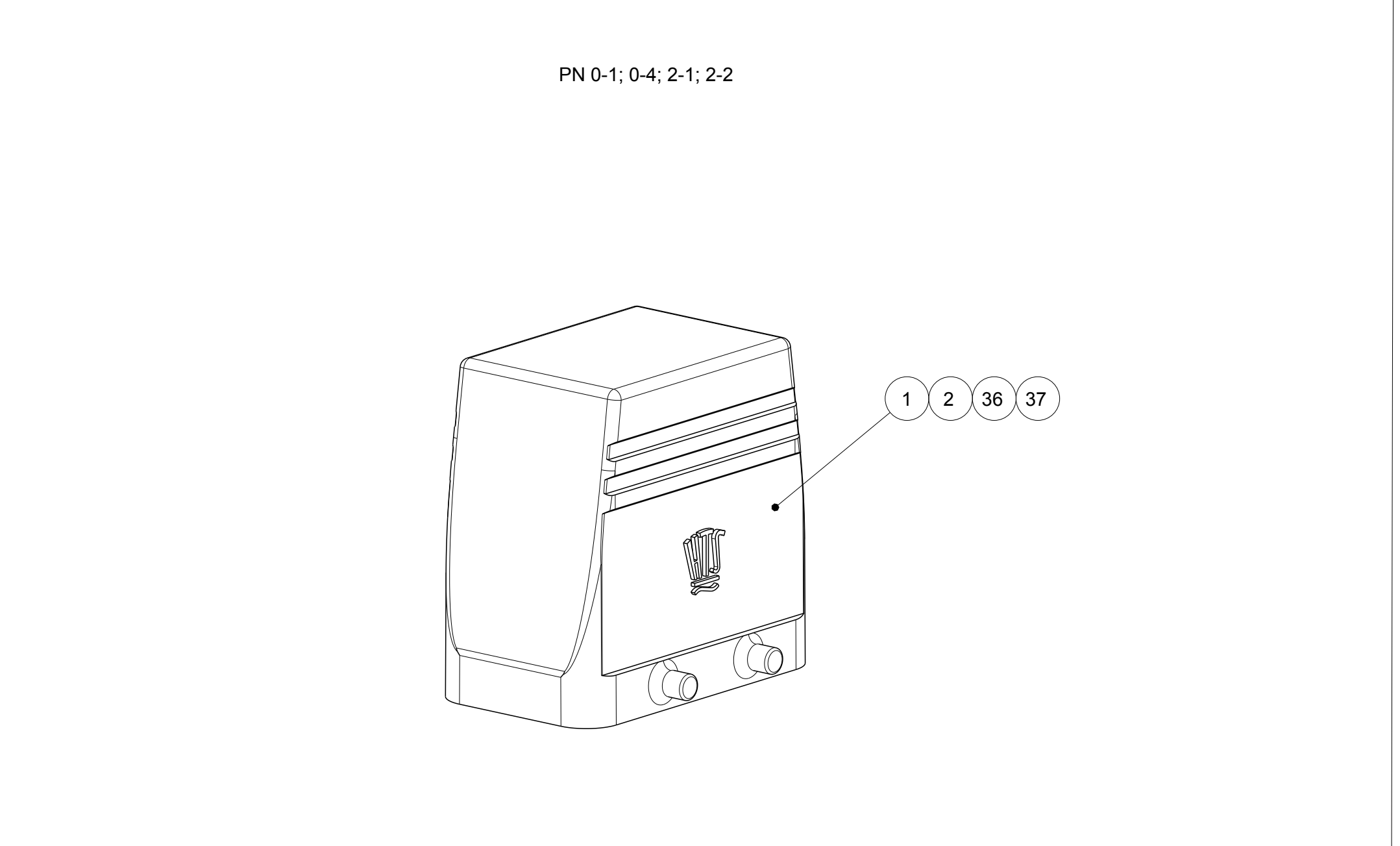
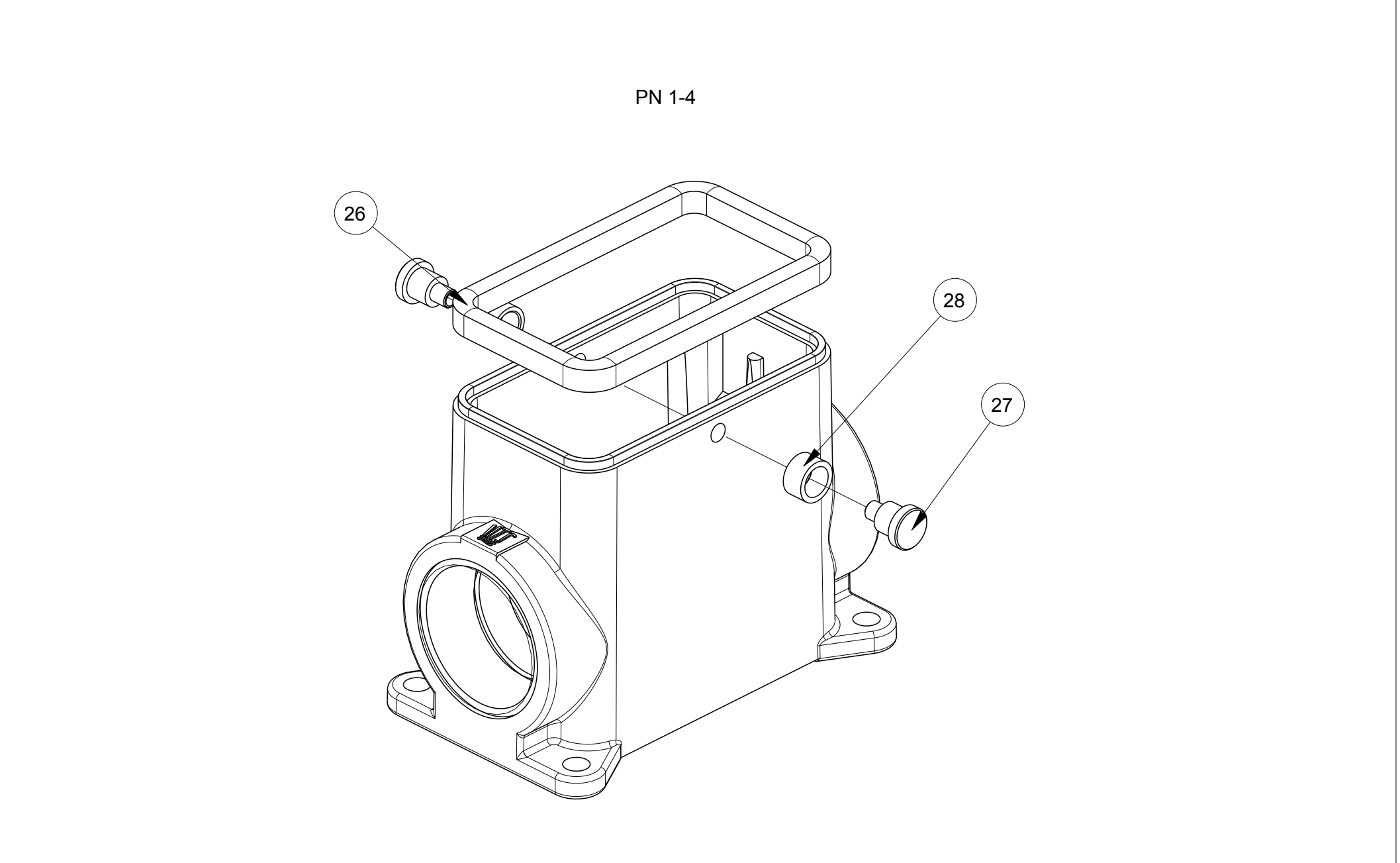
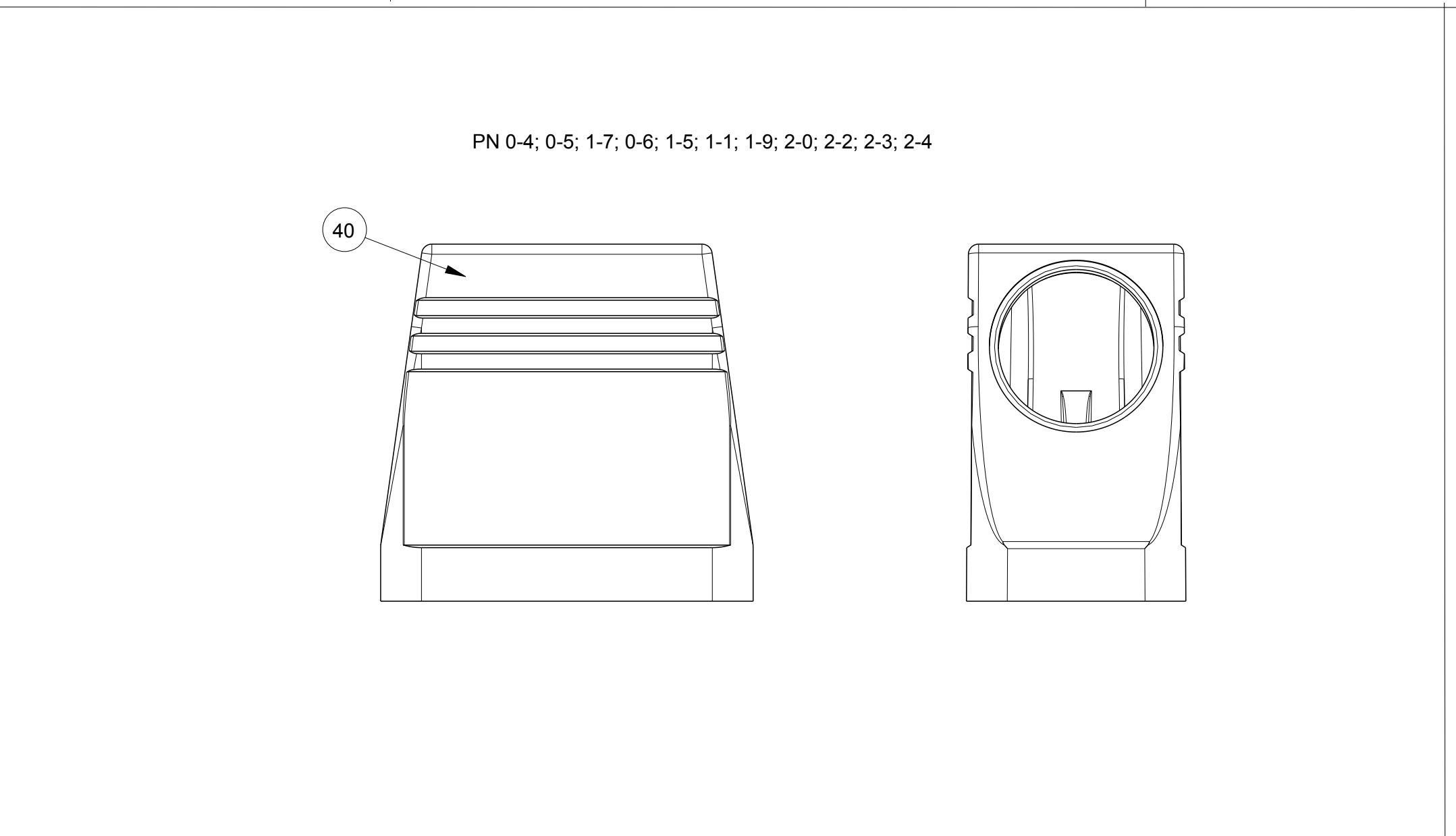
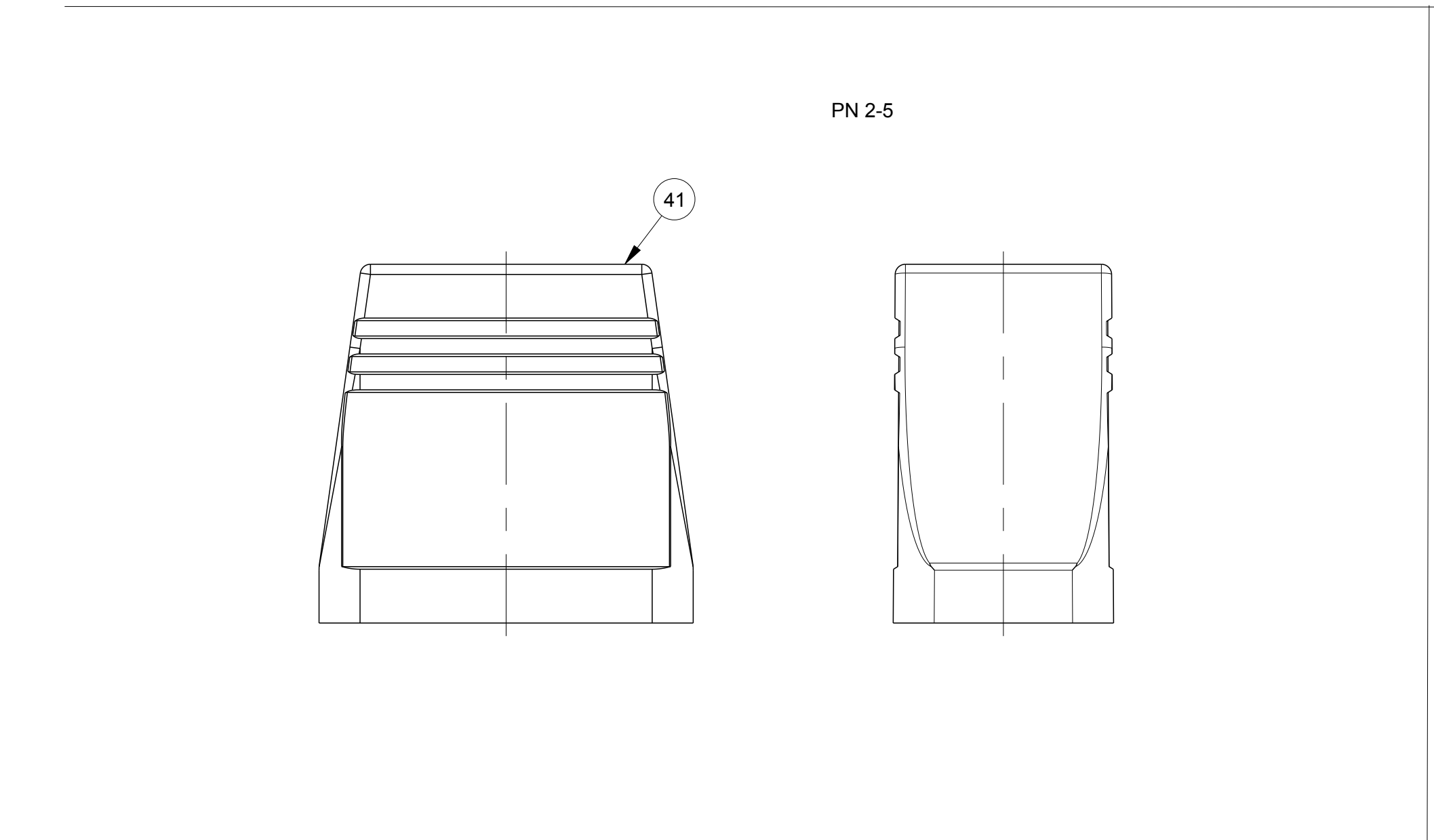


REVISIONS					
P	REV	DESCRIPTION	DATE	OWN	APPD
A15	ECR-09-020851		09/02/2009	SR	AR
A16	ECR-10-011573		08/04/2010	SR	AR
A17	ECR-15-000619		21/03/2015	GSK	MKO
A18	ECR-16-016696		28/03/2017	GCM	MKO

NOTES:  
 1 PACKAGING QUANTITY 5 PIECES  
 2 SPECIAL PACKAGING QUANTITY 50 PIECES  
 3 VARNISH ON THE INSIDE NOT NECESSARY



QTY	DESCRIPTION	MATERIAL	SURFACE	COLOR	ITEM NO.	NOTES
1	HDHOOD	ALUMINIUM/ALU			44	WITHOUT LOGO/DRILLING
1	HDHOOD	ALUMINIUM/ALU	SurTec 650	BLANC	43	
1	HDHOOD	ALUMINIUM/ALU	SurTec 650	BLANC	42	
1	HDHOOD	ALUMINIUM/ALU		GREY RAL 7001	41	WITHOUT HTS LOGO
1	HDHOOD	ALUMINIUM/ALU		GREY RAL 7001	40	WITHOUT HTS LOGO
1	HDHOOD	ALUMINIUM/ALU		GREY RAL 7001	39	
2	CLIP BOLT	STELL	ZINC COATED	BLUE	38	M5
1	HDHOOD	ALUMINIUM/ALU		GREY RAL 7001	37	WITHOUT HTS LOGO
1	HDHOOD	ALUMINIUM/ALU		GREY RAL 7001	36	WITHOUT HTS LOGO
1	CENTRAL LOCKING CLIP POSITIONER	STELL	ZINC COATED	BLUE	35	
1	CENTRAL LOCKING CLIP	STELL	ZINC COATED	BLUE	34	
1	HDHOOD	ALUMINIUM/ALU		GREY RAL 7001	33	
1	HD-EMV/HOOD	ALUMINIUM/ALU	SurTec 650	BLACK RAL 9005	32	
1	HD-K/HOOD	ALUMINIUM/ALU		ALUMINIUM OXIDE BLACK RAL 9005	31	
1	HDHOOD	ALUMINIUM/ALU		GREY RAL 7001	30	
1	HD-K/HOOD	ALUMINIUM/ALU		ALUMINIUM OXIDE BLACK RAL 9005	29	WITHOUT HTS LOGO
1	SLIDE SPOOL	STELL	ZINC COATED	BLUE	28	
1	CLIP BOLT	STELL	ZINC COATED	BLUE	27	
1	PROFILE SEAL	NEOPRENE		BLACK	26	
1	HDHOOD	ALUMINIUM/ALU		GREY RAL 7001	25	
2	SLIDE SPOOL	STELL	ZINC COATED	BLUE	24	
2	CLIP BOLT	V2A/STAIN STEEL	BLANK		23	
2	CLIP BOLT	STELL	ZINC COATED	BLUE	22	
2	CLIP SPRING RIGHT	V2A/STAIN STEEL	BLANK		21	
2	CLIP SPRING RIGHT	STELL	ZINC COATED	BLUE	20	
2	CLIP SPRING LEFT	V2A/STAIN STEEL	BLANK		19	
4	CLIP SPRING LEFT	STELL	ZINC COATED	BLUE	18	
4	CLIP POSITIONER	V2A/STAIN STEEL	BLANK		17	
4	CLIP POSITIONER	STELL	ZINC COATED	BLUE	16	
2	LOCKING CLIP	V2A/STAIN STEEL	BLANK		15	
2	LOCKING CLIP	STELL	ZINC COATED	BLUE	14	
4	CLIP BOLT	V2A/STAIN STEEL	BLANK		13	
1	HD-K/HOOD	ALUMINIUM/ALU		ALUMINIUM OXIDE BLACK RAL 9005	12	
1	HDHOOD	ALUMINIUM/ALU		GREY RAL 7001	11	
1	HDHOOD	ALUMINIUM/ALU		GREY RAL 7001	10	
1	HDHOOD	ALUMINIUM/ALU		GREY RAL 7001	9	
1	HD-K/HOOD	ALUMINIUM/ALU		ALUMINIUM OXIDE BLACK RAL 9005	8	
1	HDHOOD	ALUMINIUM/ALU		GREY RAL 7001	7	WITHOUT HTS LOGO
1	HDHOOD	ALUMINIUM/ALU		GREY RAL 7001	6	WITHOUT HTS LOGO
1	HDHOOD	ALUMINIUM/ALU		GREY RAL 7001	5	
1	HDHOOD	ALUMINIUM/ALU		GREY RAL 7001	4	
1	HD-K/HOOD	ALUMINIUM/ALU		ALUMINIUM OXIDE BLACK RAL 9005	3	
1	HDHOOD	ALUMINIUM/ALU		GREY RAL 7001	2	
1	HDHOOD	ALUMINIUM/ALU		GREY RAL 7001	1	

THIS DRAWING IS A CONTROLLED DOCUMENT. DATE: 18.06.2002  
 DIMENSIONS: mm  
 MATERIAL: F202  
 FINISH: F202  
 CUSTOMER DRAWING  
 SCALE: 5:1  
 SHEET: 1 OF 1  
 REVISION: A18  
 NAME: HOOD HD 24  
 PRODUCT SPEC: HD 24  
 APPLICATION SPEC: HD 24  
 CASE CODE: 00779  
 DRAWING NO: 1106434  
 RESTRICTED TO: -

## X-ON Electronics

Largest Supplier of Electrical and Electronic Components

*Click to view similar products for [Heavy Duty Power Connectors](#) category:*

*Click to view products by [TE Connectivity](#) manufacturer:*

Other Similar products are found below :

[1424439](#) [1424438](#) [09330062652](#) [2-8675P1](#) [605601-1](#) [6340G1](#) [6341G1](#) [6360G1](#) [6373G1](#) [6374g2](#) [6396G1](#) [647757-1](#) [66394-4](#) [6643411-1](#)  
[6646058-2](#) [6646137-1](#) [6646138-1](#) [6646348-1](#) [6646479-1](#) [6646608-1](#) [6646786-1](#) [6646940-1](#) [6651091-1](#) [6651525-1](#) [6651529-1](#) [6651778-1](#)  
[6651788-1](#) [696465-1](#) [696475-1](#) [73000005059](#) [73000005349](#) [73000005642](#) [73080255059](#) [73080965046](#) [765-15-0080A](#) [765-16-0080B](#)  
[789.700-44](#) [789.700-54](#) [80-1010](#) [80-9](#) [827381-1](#) [829992-1](#) [902-77-02113](#) [PL00U-301-10D10](#) [PM103MOOLOO](#) [PM16S1620S32-50](#)  
[PM212MOOLOO](#) [PM309FOOLOO](#) [PM324FOOLCH](#) [PMHPAF11S03](#)