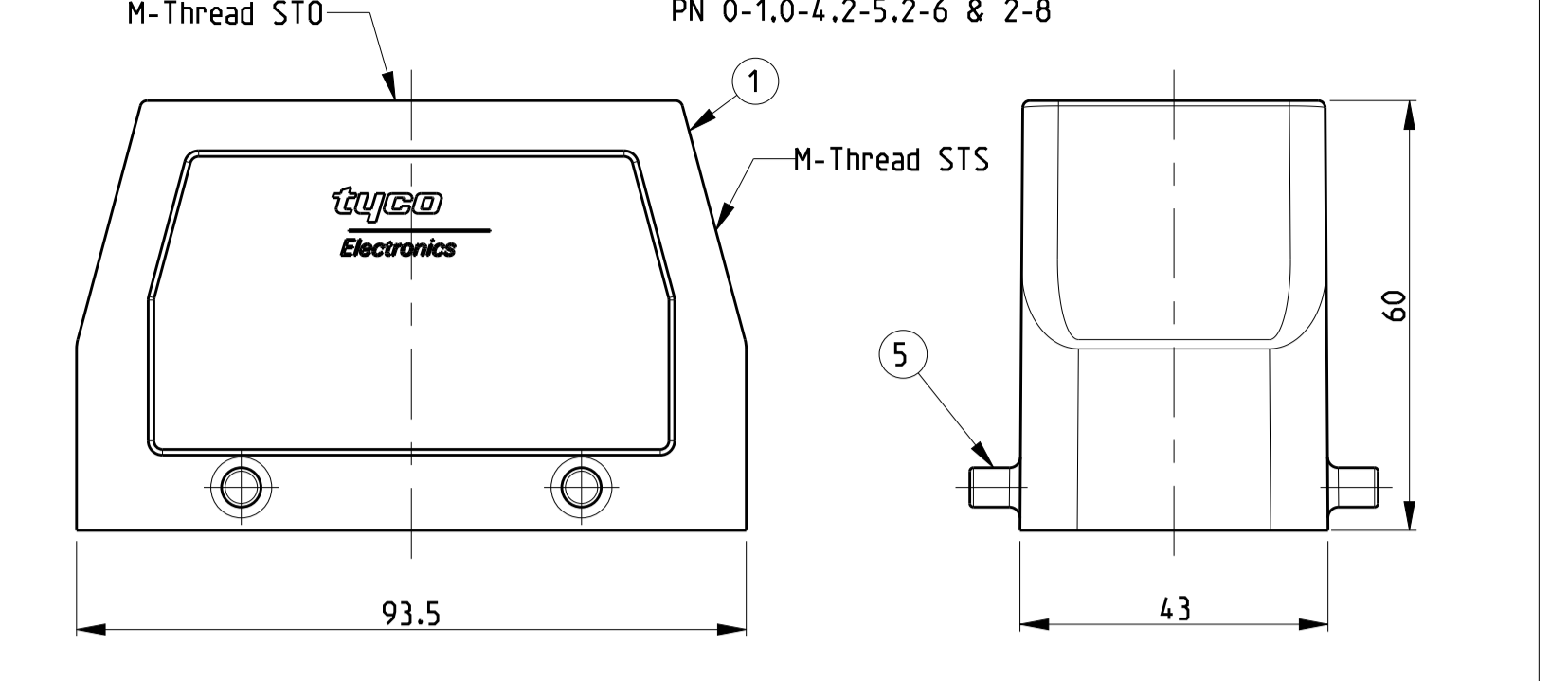
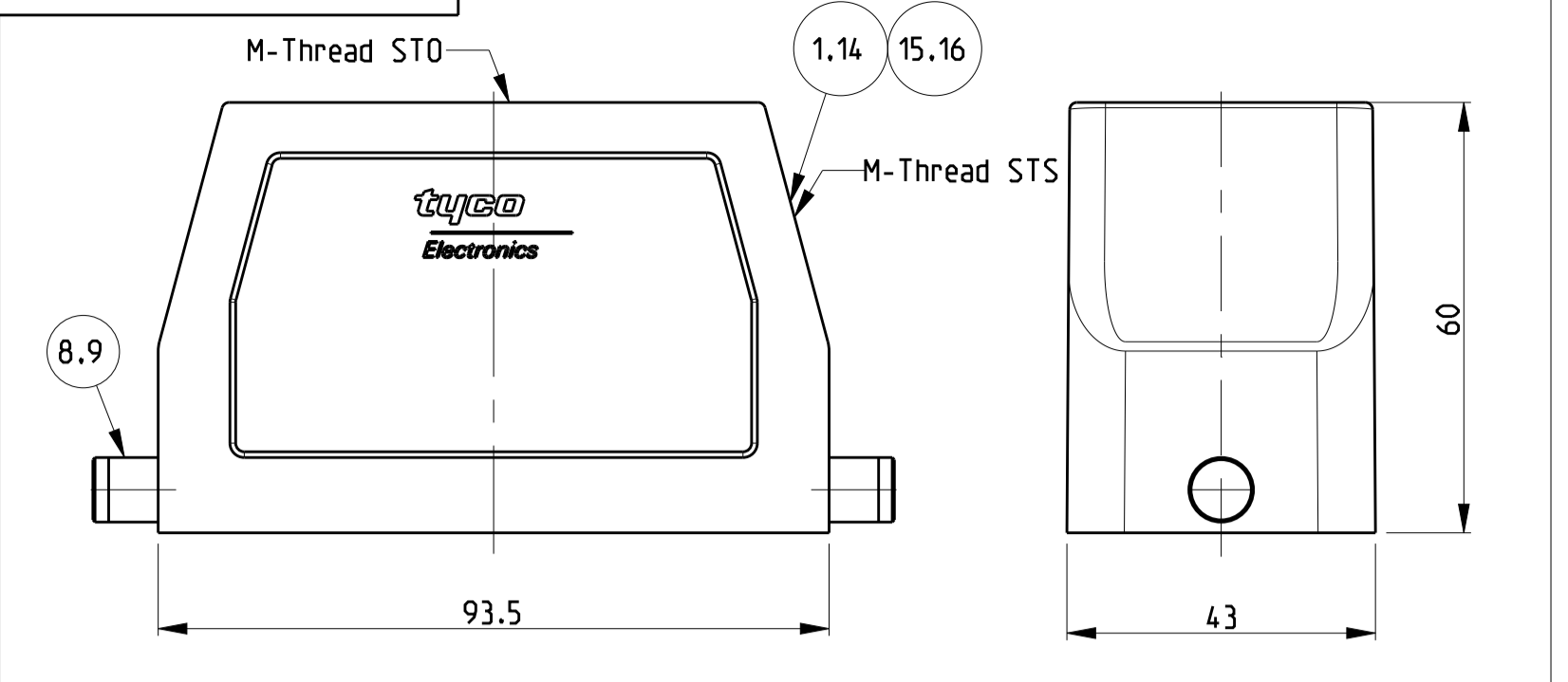
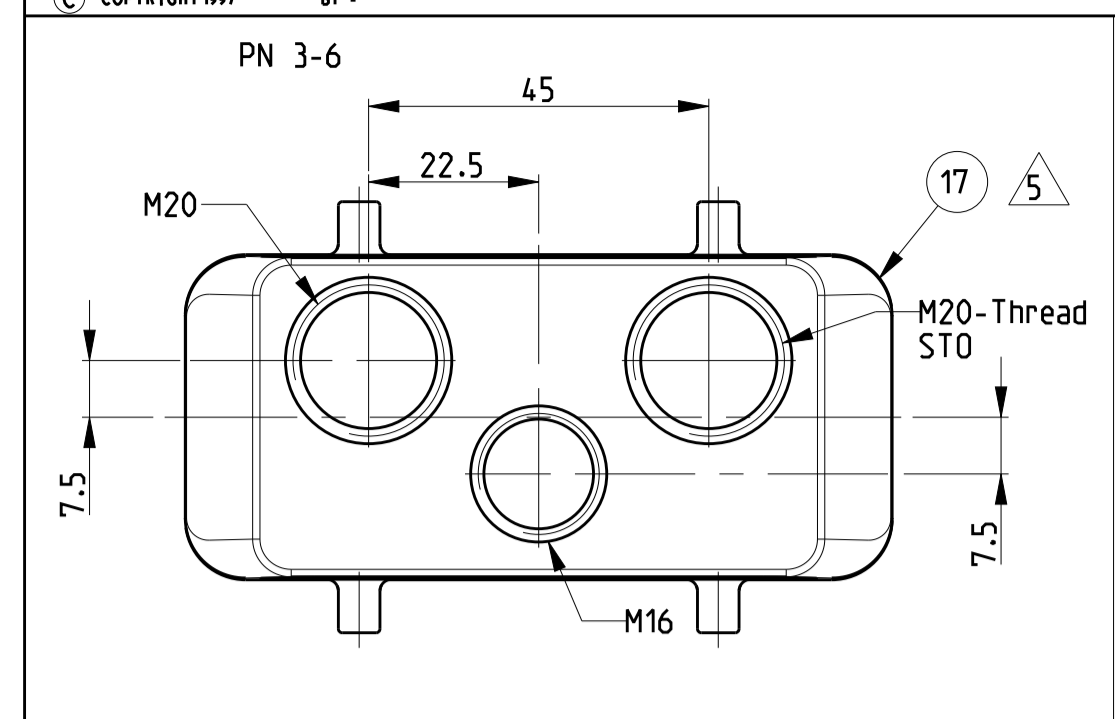
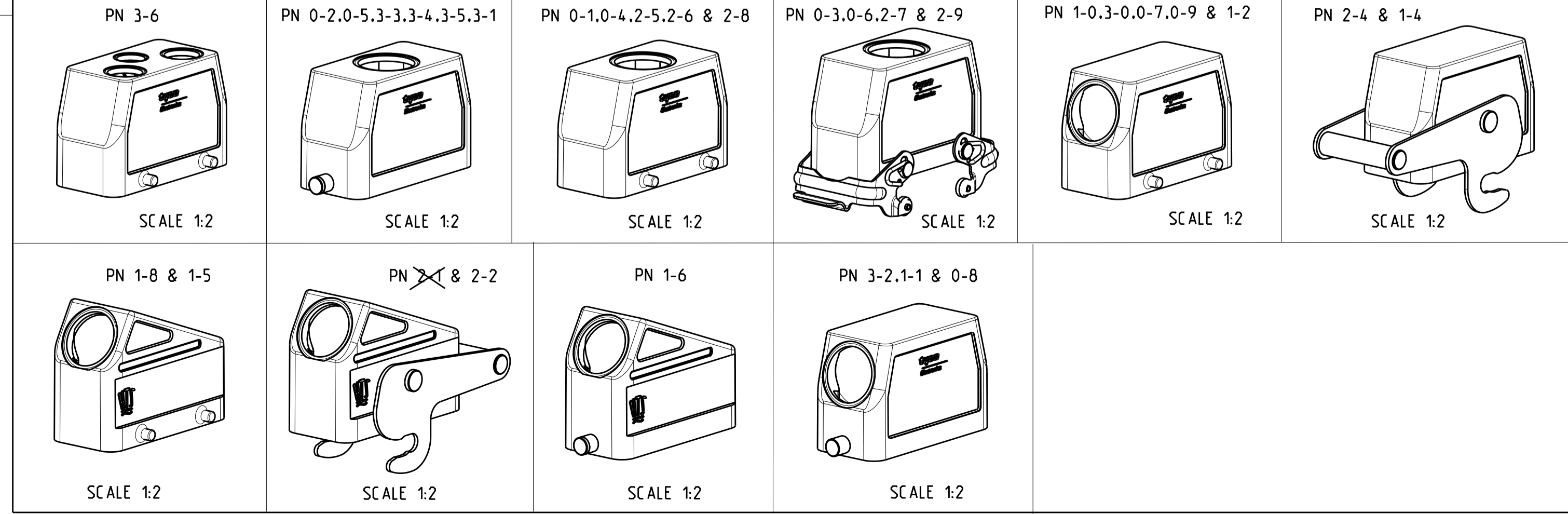
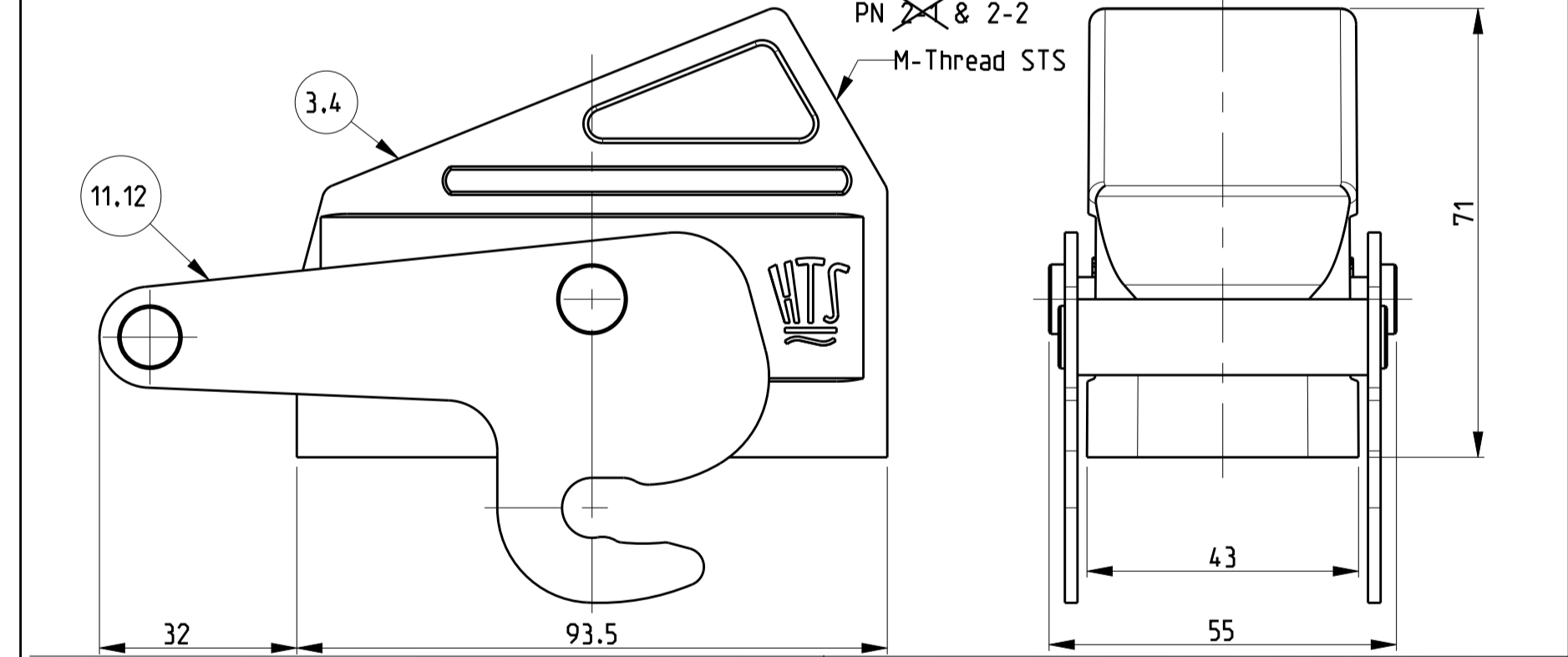
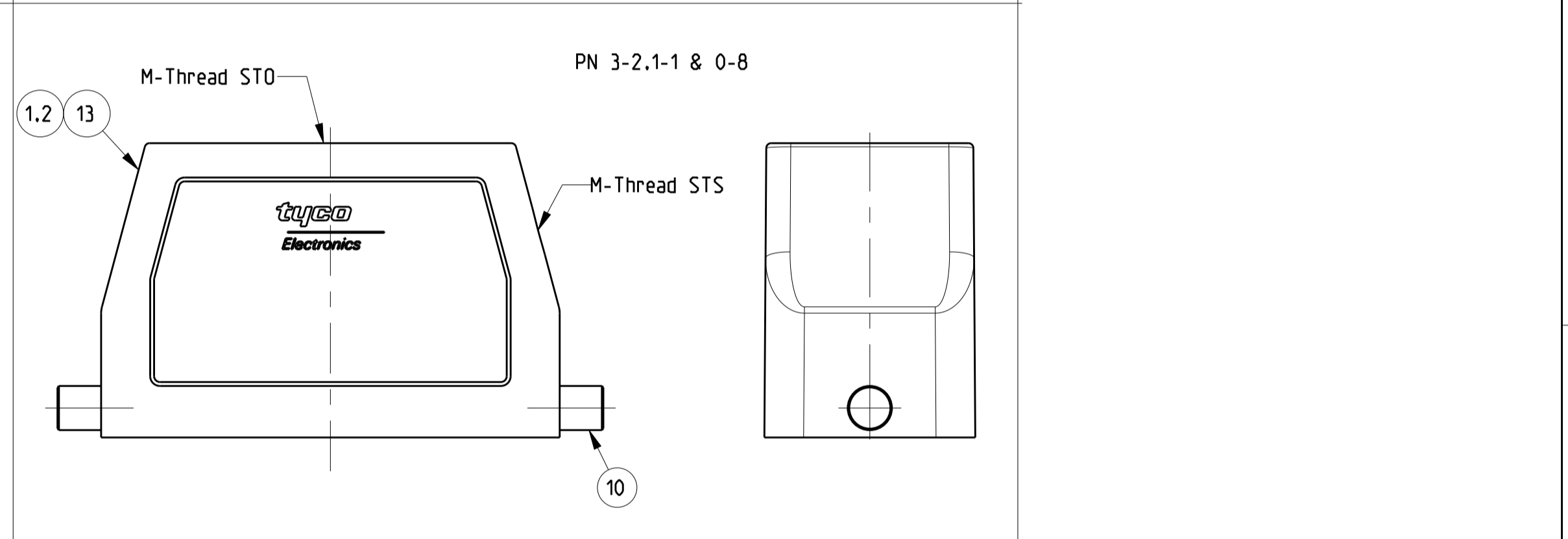
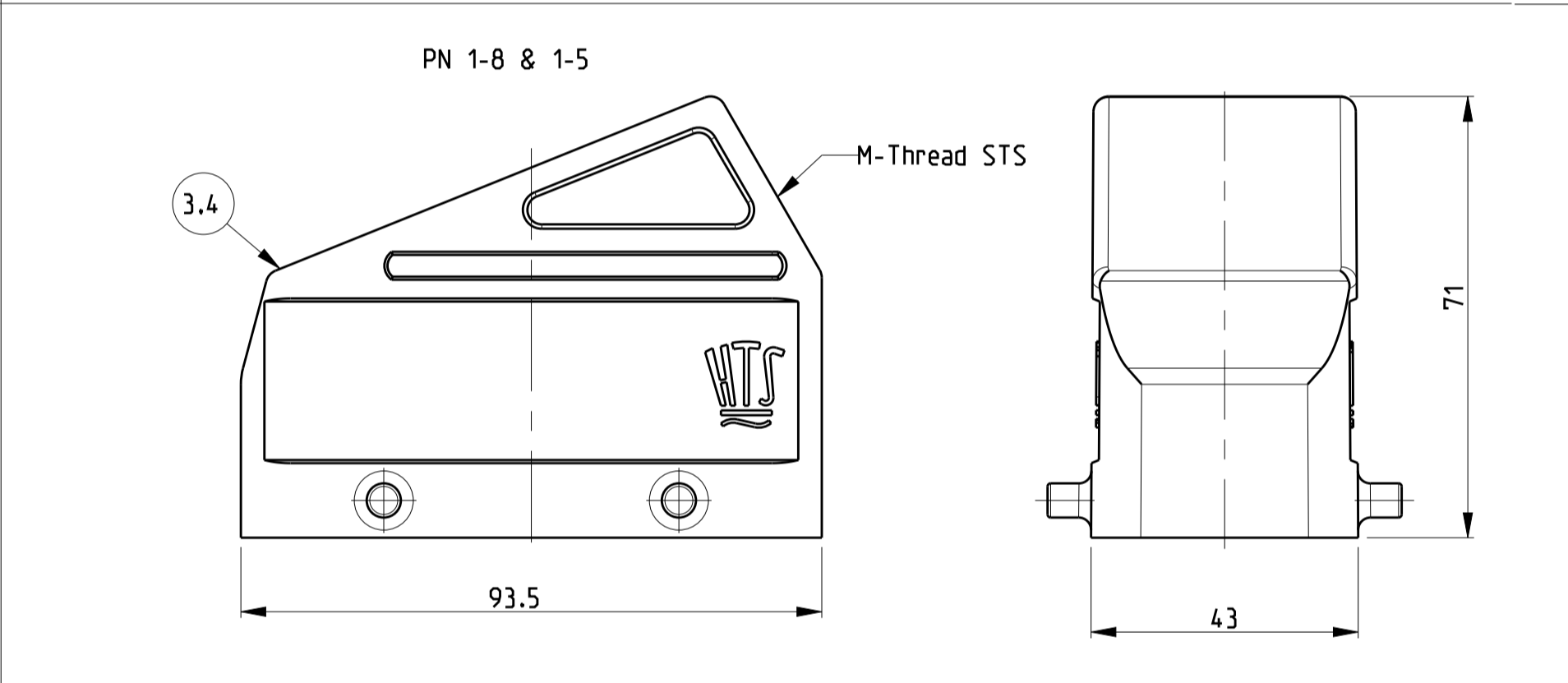
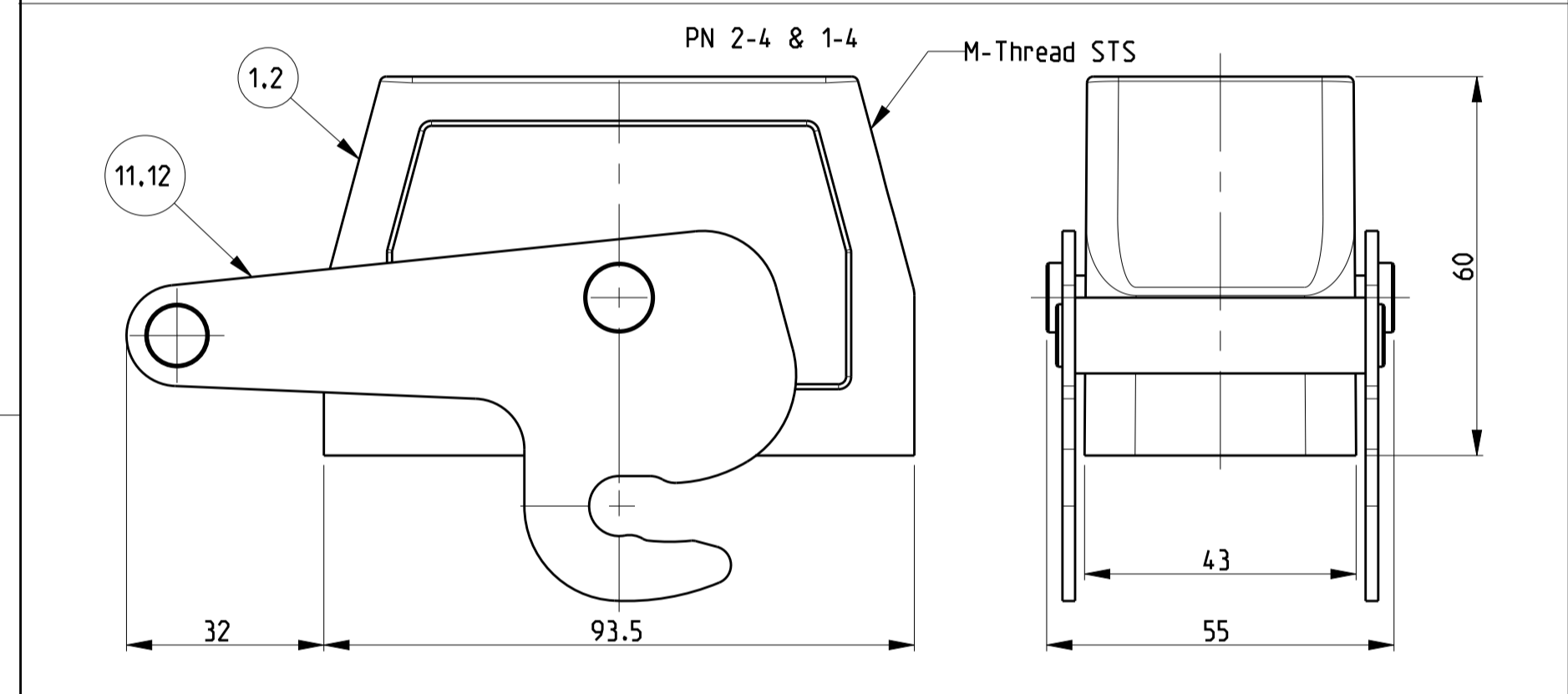
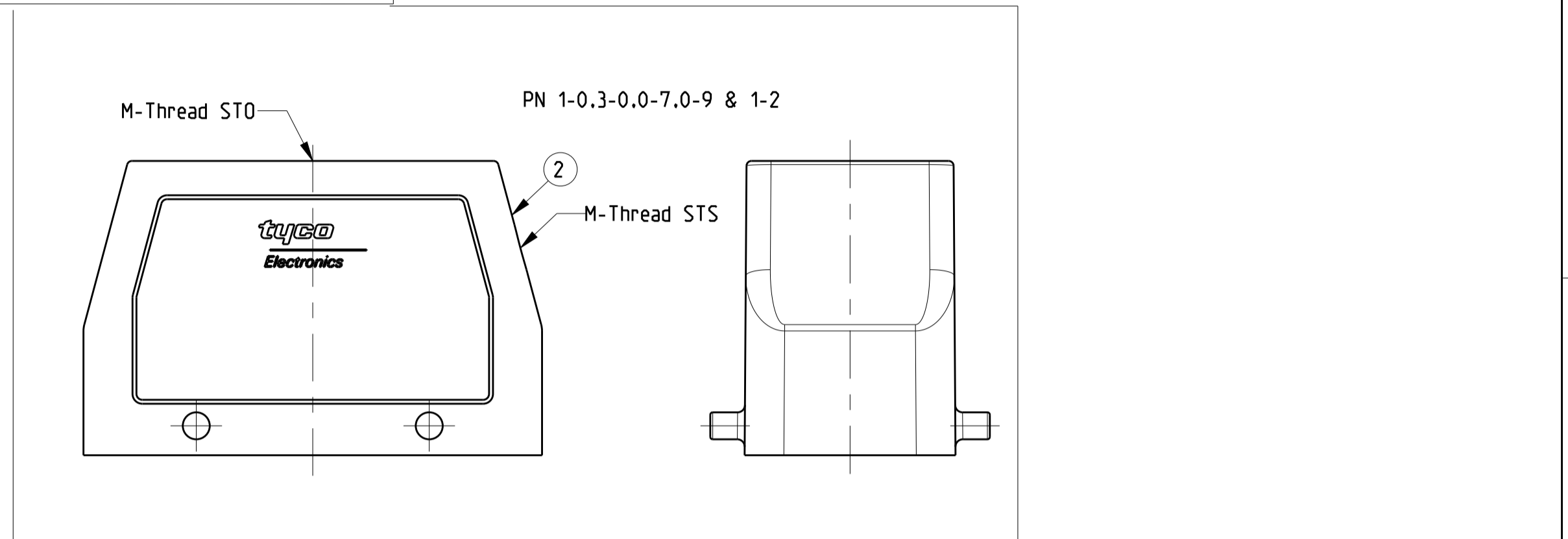
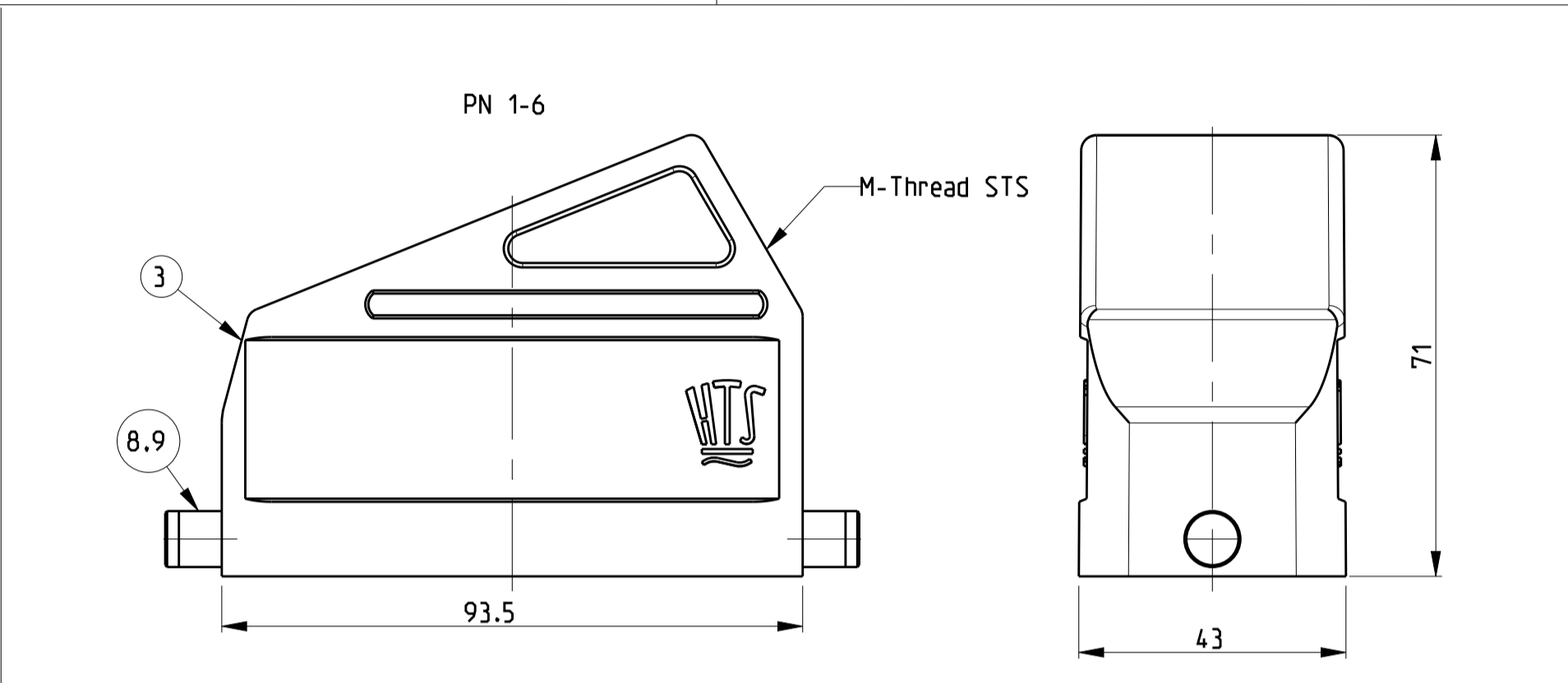
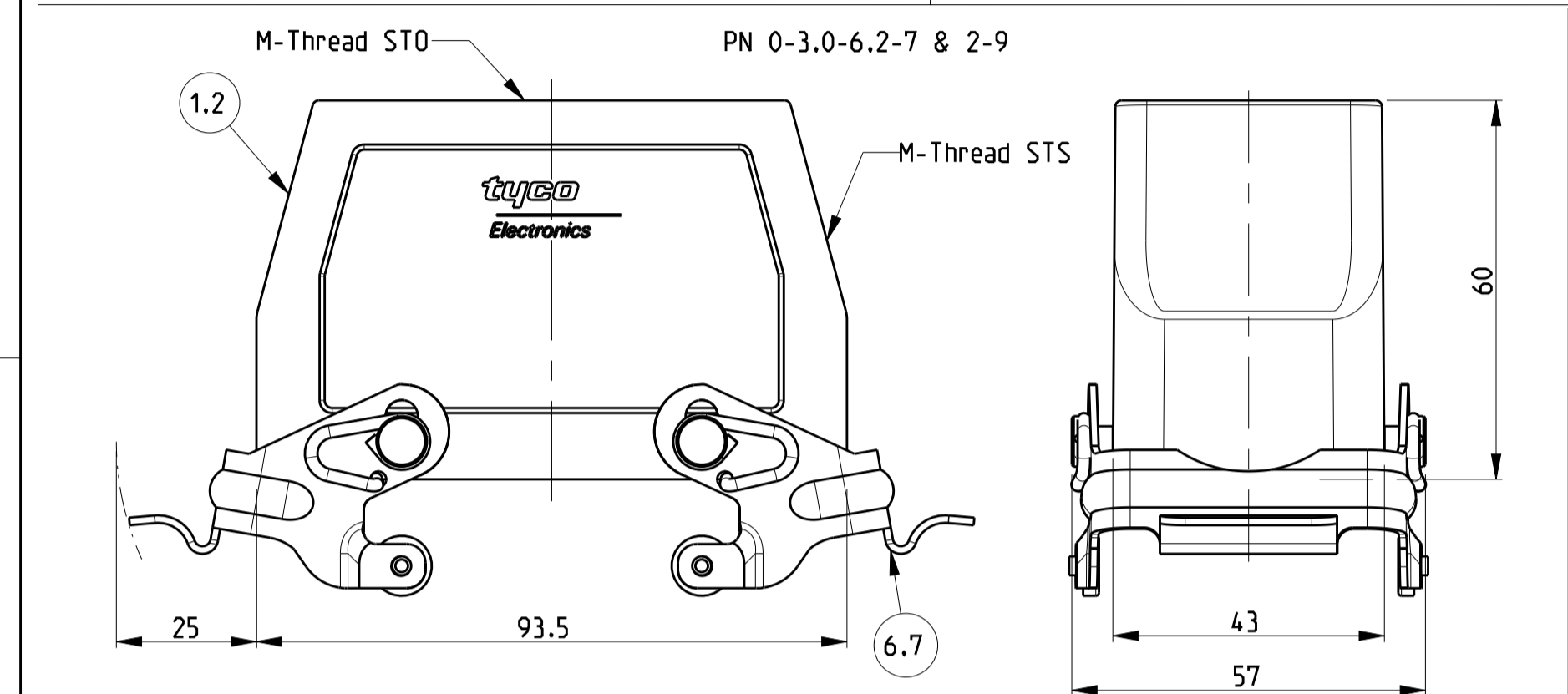


REVISIONS				
P	LTR	DESCRIPTION	DATE	APPV
B4		ECR-15-016632	28NOV2016	GCM MKO



NOTES

- Surface: - Powder varnish grey  
 - Aluminium oxide - Varnish black  
 - Chromital TCP passivation - varnish black
- Varnish on the inside not necessary
- Packaging  
 Packaging quantity 5 piece in a box
- Special Packaging



ITEM NO	DESCRIPTION	MATERIAL	SURFACE	COLOR	ITEM NO	NOTES
17	HB Hood	Aluminium		Grey	17	5
16	HB-EMV Hood	Aluminium	SEE NOTE 1	Black	16	
15	HB Hood	Aluminium		Grey	15	
14	HB Hood	Aluminium		Fire red, RAL 3000	14	
13	HB-EMV Hood	Aluminium	SEE NOTE 1	Black	13	
12	ZB-Clip bolt	Stainless steel	Blank	With out varnish	12	
11	ZB-Clip bolt	Steel	Zinc plated	Blue	11	
10	LB-Clip bolt	Stainless steel	Blank		10	
9	LB-Clip bolt	Steel	Zinc plated	Blue	9	
8	LB-Side clip	Steel	Zinc plated	Blue	8	
7	VS-Locking Clip	Stainless steel	Blank		7	
6	VS-Locking Clip	Steel	Zinc plated	Blue	6	
5	VS-Clip bolt	Stainless steel	Blank		5	
4	HB-K Hood	Aluminium	Aluminium oxide	Black	4	
3	HB Hood	Aluminium		Grey	3	
2	HB-K Hood	Aluminium	Aluminium oxide	Black	2	
1	HB Hood	Aluminium		Grey	1	

ITEM NO	DESCRIPTION	MATERIAL	SURFACE	COLOR	ITEM NO	NOTES
17	HB Hood	Aluminium		Grey	17	5
16	HB-EMV Hood	Aluminium	SEE NOTE 1	Black	16	
15	HB Hood	Aluminium		Grey	15	
14	HB Hood	Aluminium		Fire red, RAL 3000	14	
13	HB-EMV Hood	Aluminium	SEE NOTE 1	Black	13	
12	ZB-Clip bolt	Stainless steel	Blank	With out varnish	12	
11	ZB-Clip bolt	Steel	Zinc plated	Blue	11	
10	LB-Clip bolt	Stainless steel	Blank		10	
9	LB-Clip bolt	Steel	Zinc plated	Blue	9	
8	LB-Side clip	Steel	Zinc plated	Blue	8	
7	VS-Locking Clip	Stainless steel	Blank		7	
6	VS-Locking Clip	Steel	Zinc plated	Blue	6	
5	VS-Clip bolt	Stainless steel	Blank		5	
4	HB-K Hood	Aluminium	Aluminium oxide	Black	4	
3	HB Hood	Aluminium		Grey	3	
2	HB-K Hood	Aluminium	Aluminium oxide	Black	2	
1	HB Hood	Aluminium		Grey	1	

THIS DRAWING IS A CONTROLLED DOCUMENT.

DATE: 16.01.2002  
 DWG: Schneider  
 CHE: Schweiger

PRODUCT SPEC: 108-74001  
 APPLICATION SPEC: 114-74004

NAME: Hood  
 HB.16.M32.G

SIZE: A1  
 CAGE CODE: 00779  
 DRAWING NO: C=1106449

CUSTOMER DRAWING

SCALE: 1:1  
 SHEET: 1 OF 1  
 REV: B4

## X-ON Electronics

Largest Supplier of Electrical and Electronic Components

*Click to view similar products for [Heavy Duty Power Connectors](#) category:*

*Click to view products by [TE Connectivity](#) manufacturer:*

Other Similar products are found below :

[1424439](#) [1424438](#) [09330062652](#) [2-8675P1](#) [605601-1](#) [6340G1](#) [6341G1](#) [6360G1](#) [6373G1](#) [6374g2](#) [6396G1](#) [647757-1](#) [66394-4](#) [6643411-1](#)  
[6646058-2](#) [6646137-1](#) [6646138-1](#) [6646348-1](#) [6646479-1](#) [6646608-1](#) [6646786-1](#) [6646940-1](#) [6651091-1](#) [6651525-1](#) [6651529-1](#) [6651778-1](#)  
[6651788-1](#) [696465-1](#) [696475-1](#) [73000005059](#) [73000005349](#) [73000005642](#) [73080255059](#) [73080965046](#) [765-15-0080A](#) [765-16-0080B](#)  
[789.700-44](#) [789.700-54](#) [80-1010](#) [80-9](#) [827381-1](#) [829992-1](#) [902-77-02113](#) [PL00U-301-10D10](#) [PM103MOOLOO](#) [PM16S1620S32-50](#)  
[PM212MOOLOO](#) [PM309FOOLOO](#) [PM324FOOLCH](#) [PMHPAF11S03](#)