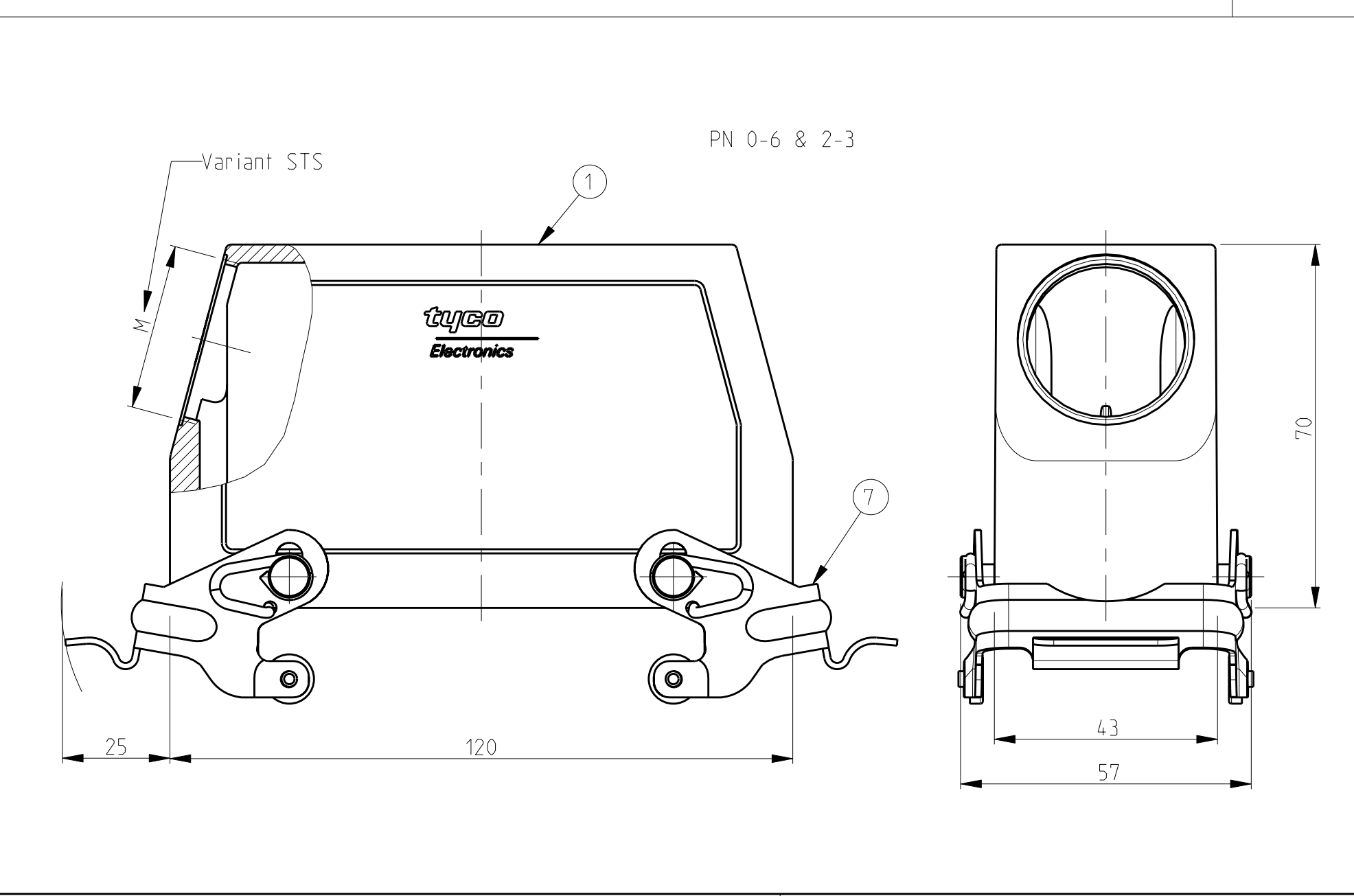
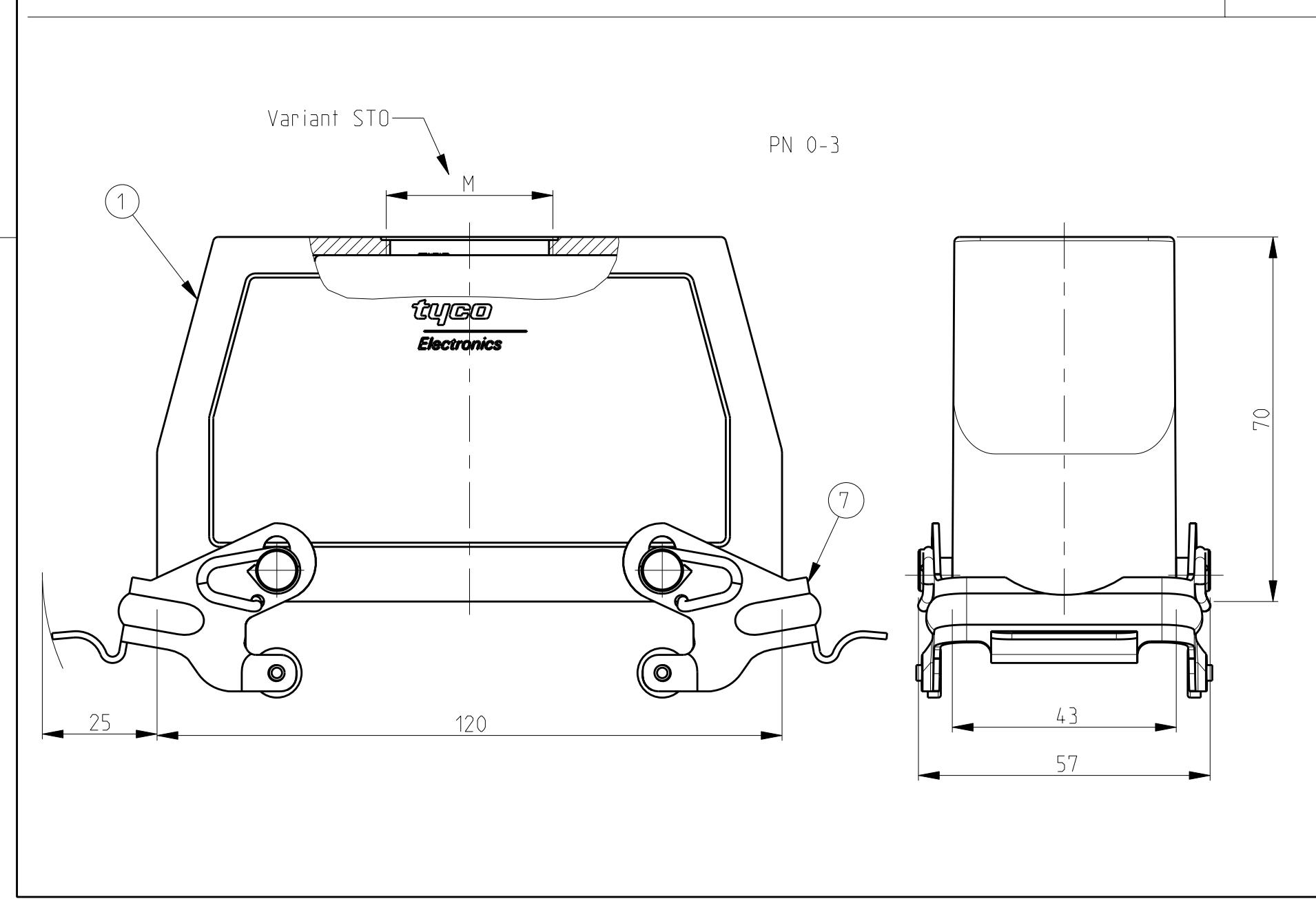
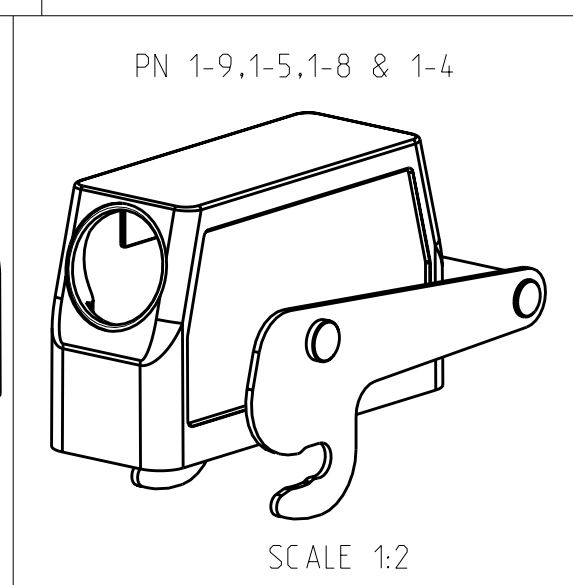
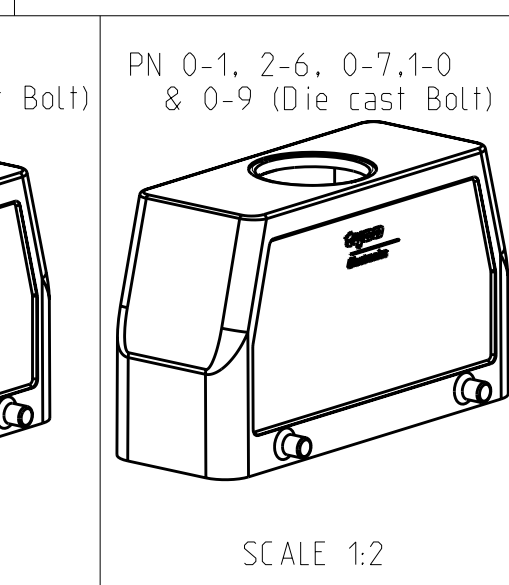
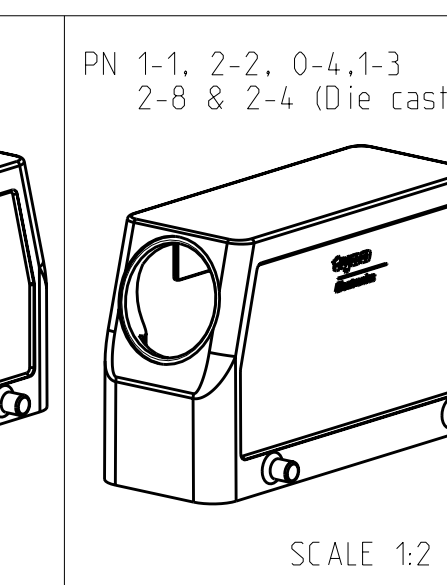
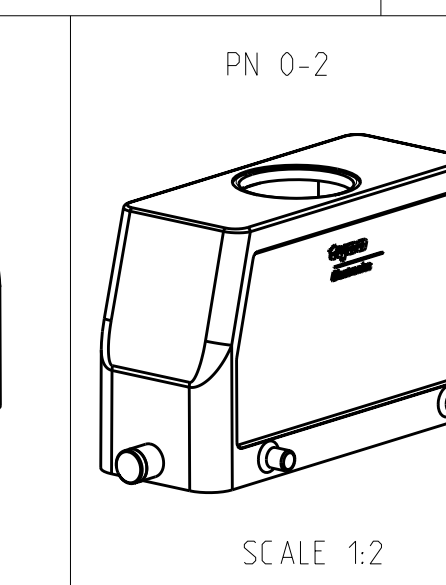
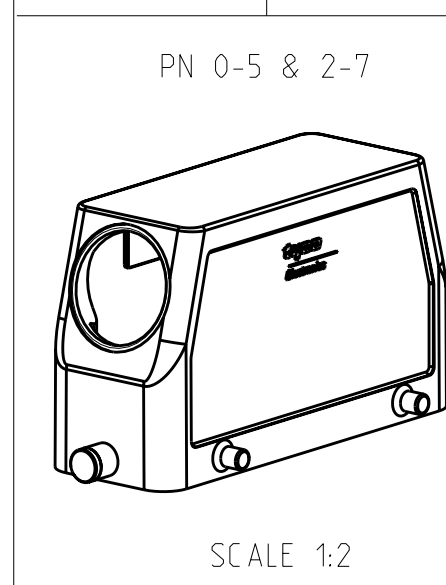
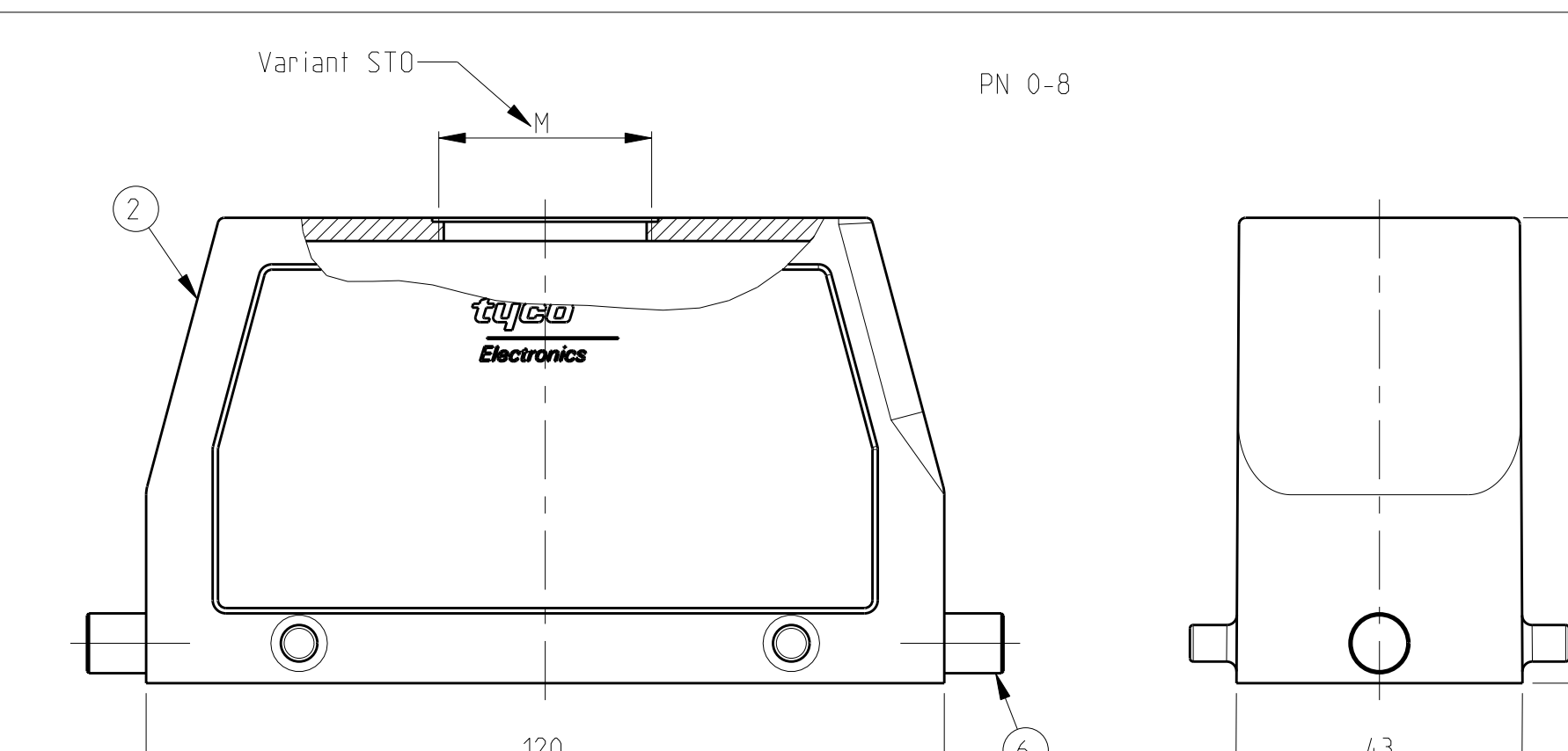
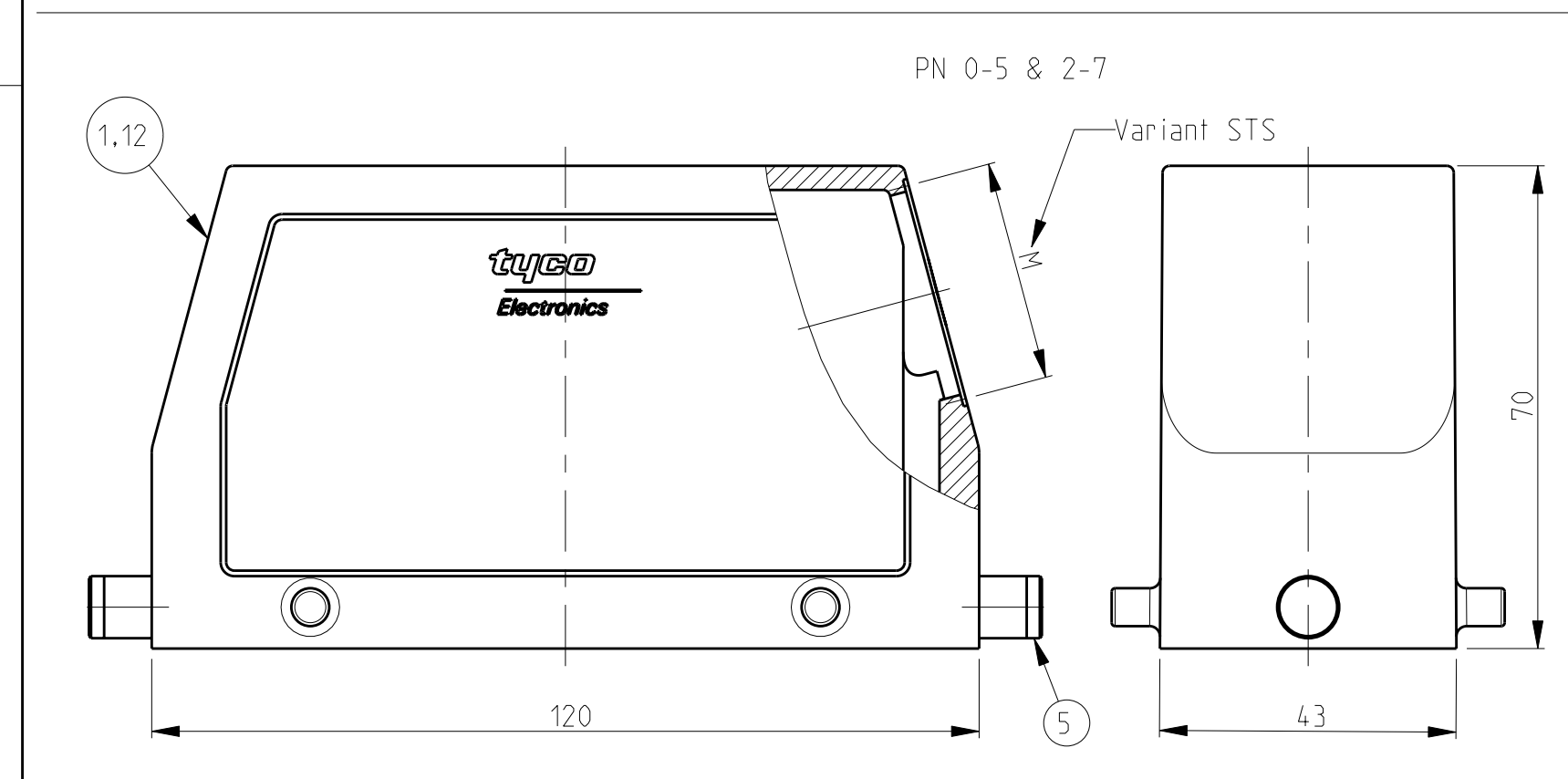
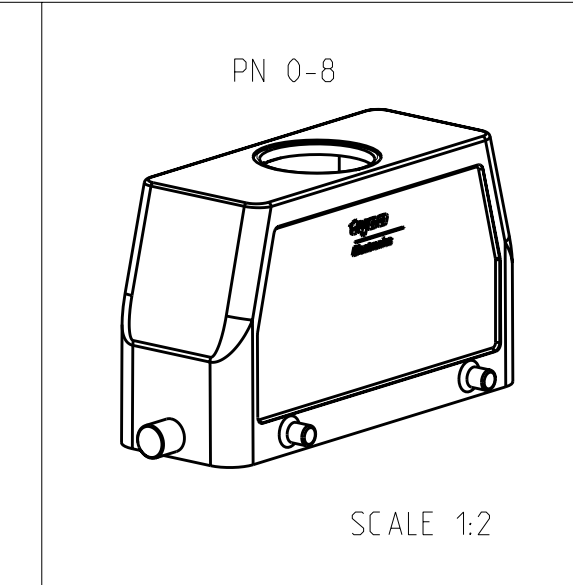
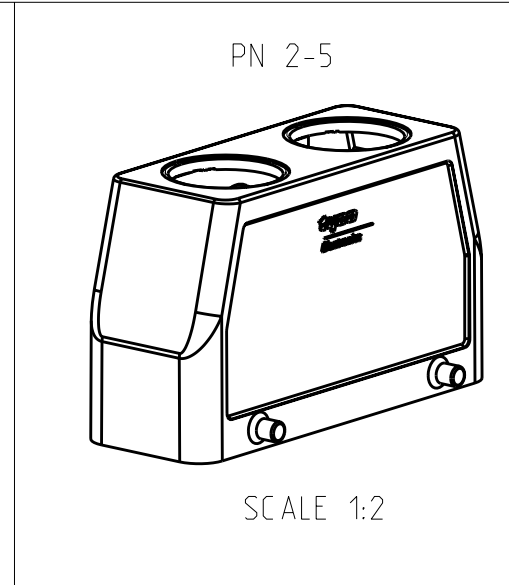
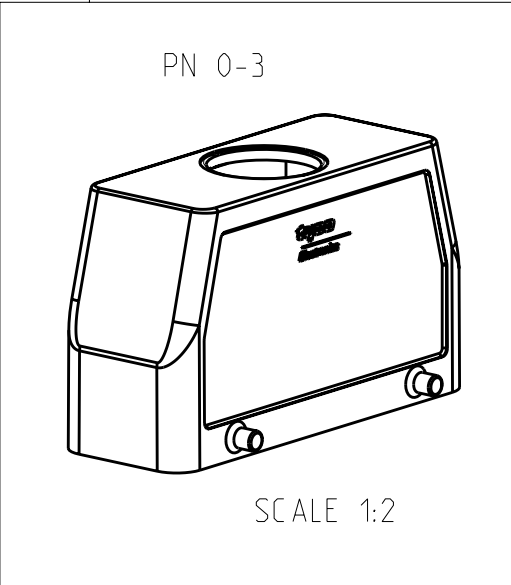
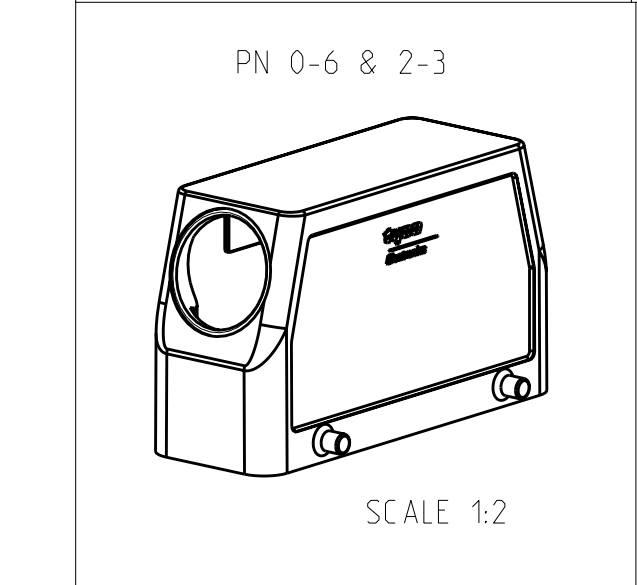
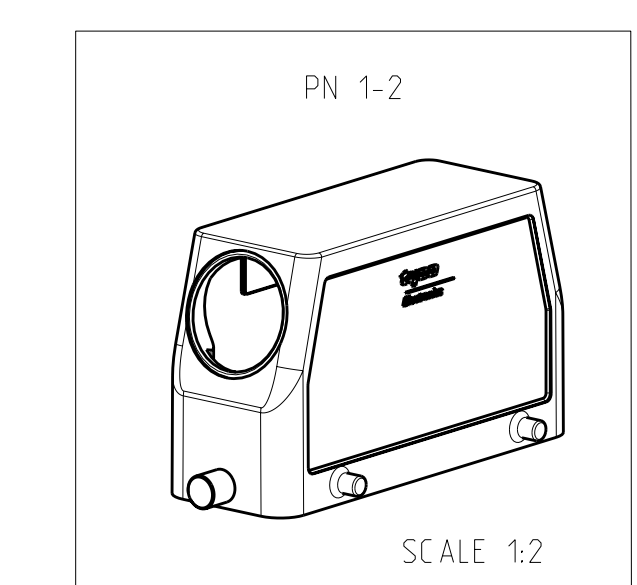
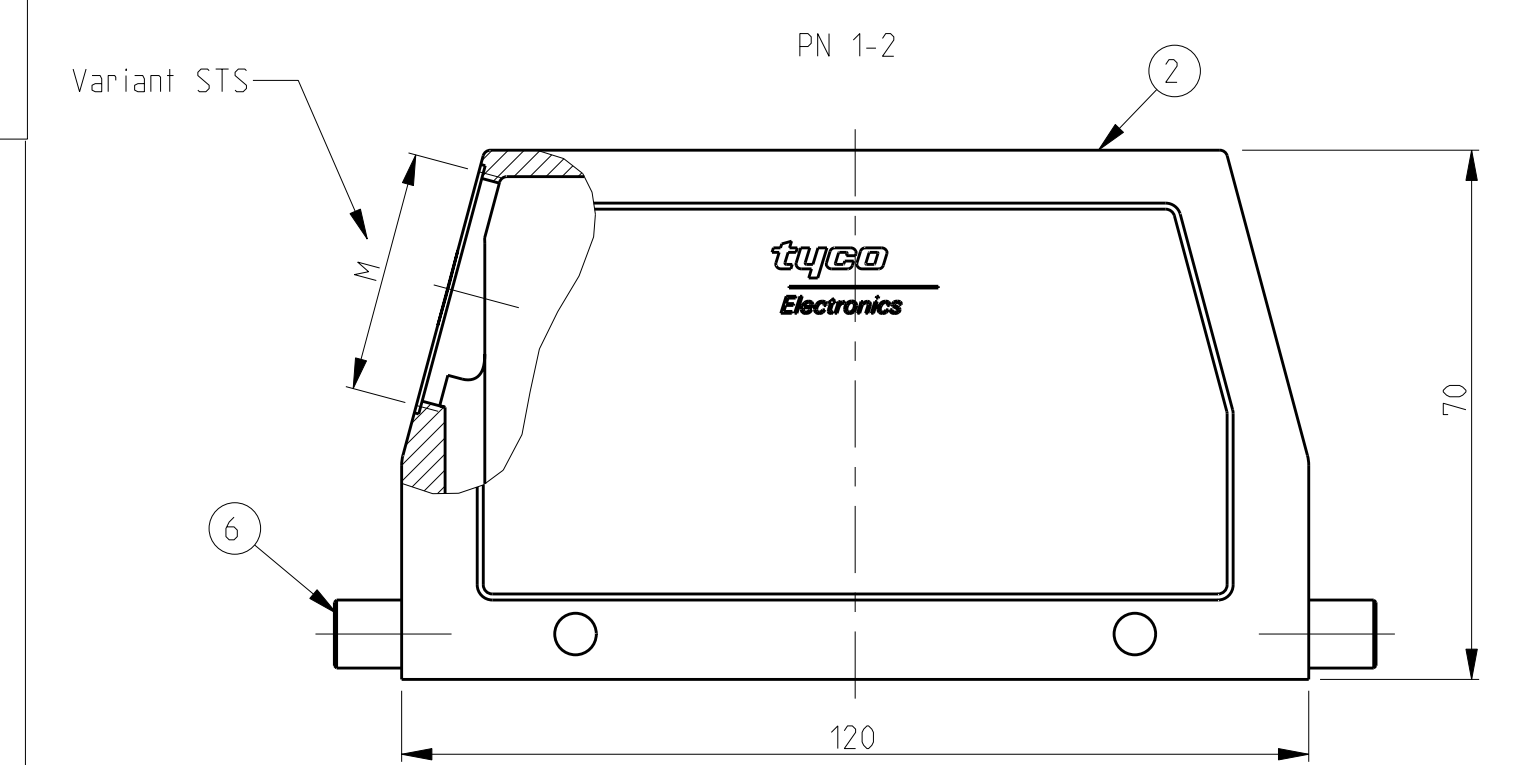
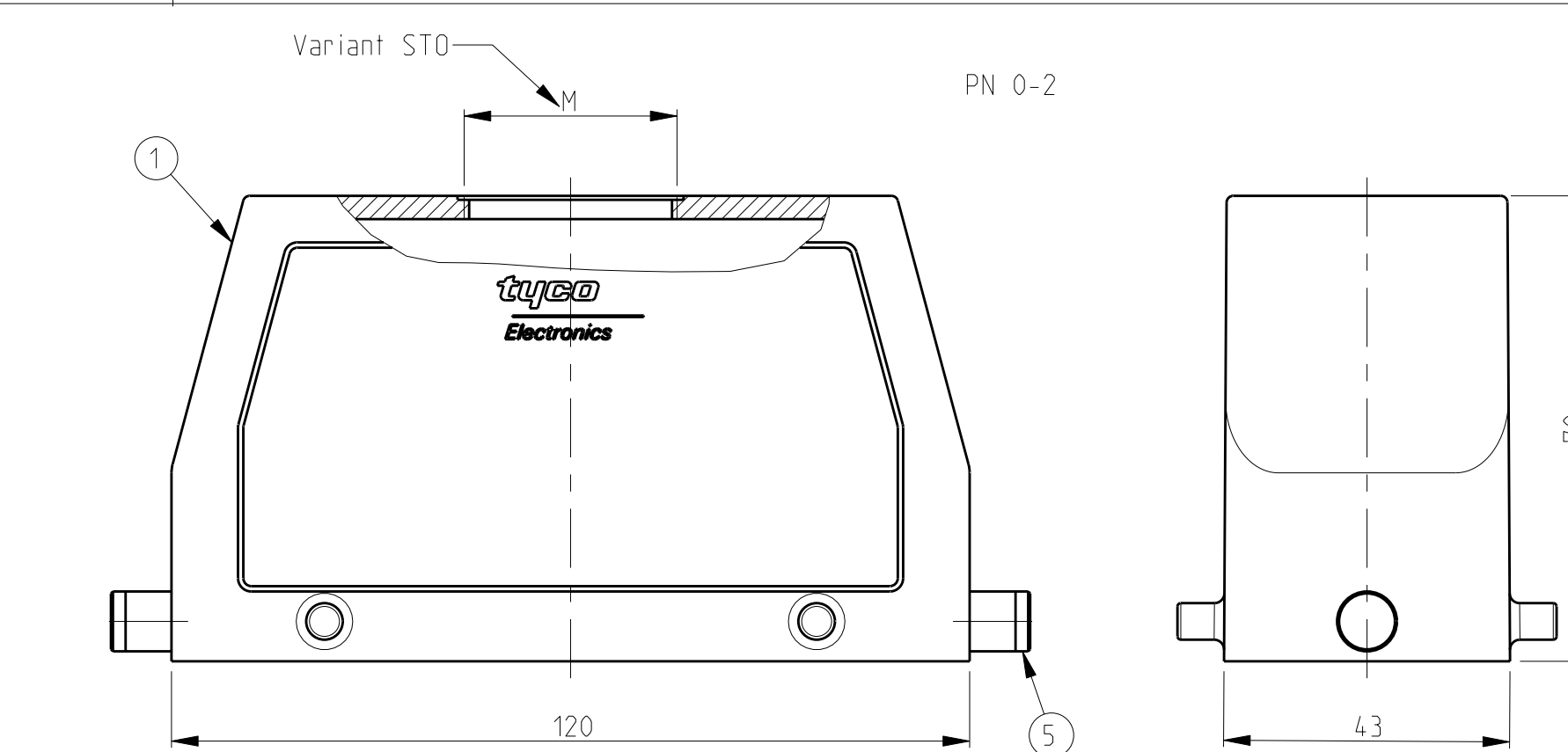
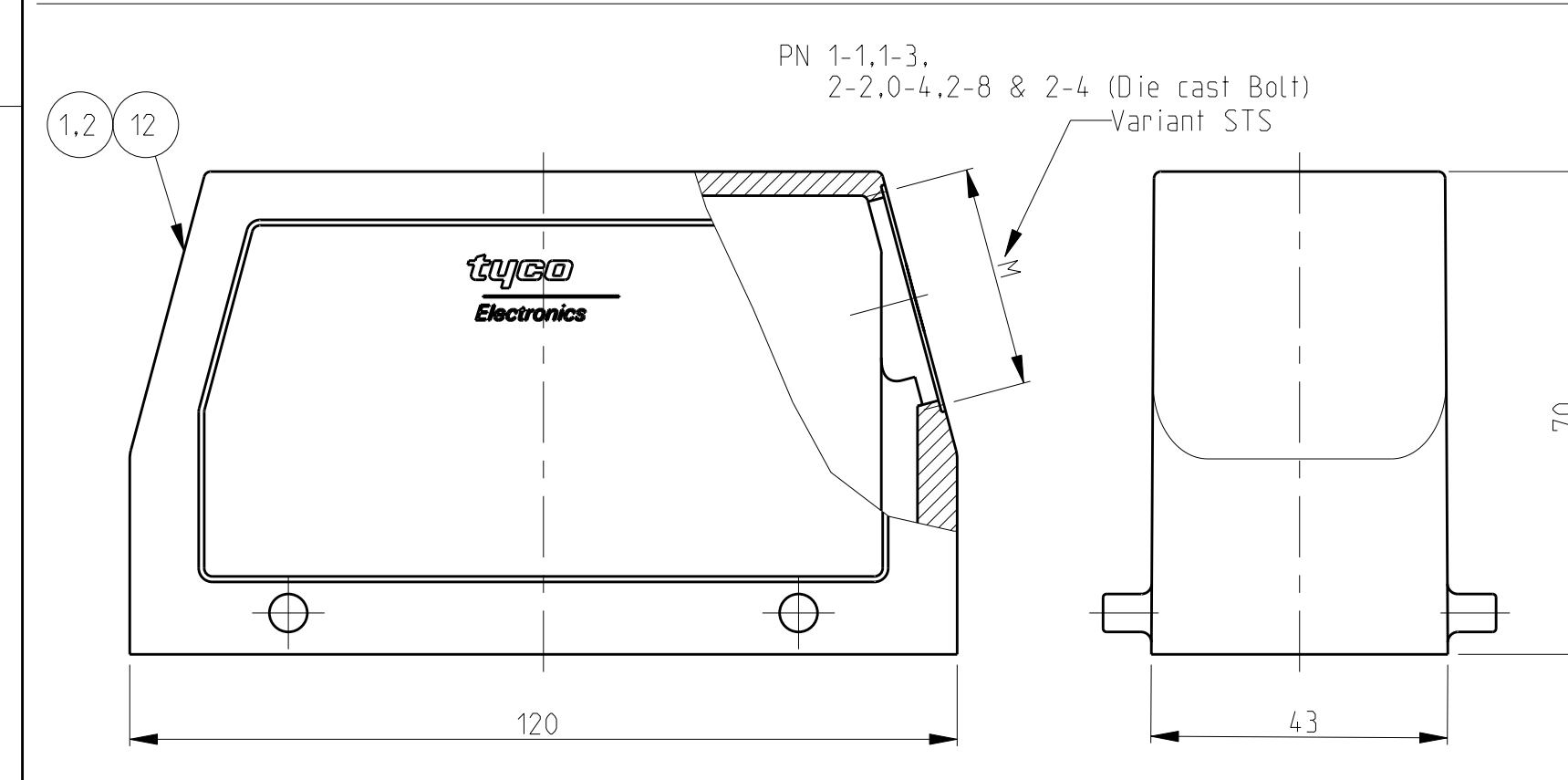


LOC		DIST		REVISIONS			
AI		P	LTB	DESCRIPTION	DATE	DWN	APVD
		A9		Released as per ECR-08-011918	12.May.2008	SP	TS

NOTES.

- Material:Housing:Aluminium Diecasting Alloy
- Surface:Powder Vannish Grey
-Aluminium Oxide +
-Vannish Black
-Chromit Passivation +
-Vannish Black
- Vannish on the inside not necessary
- Special Packaging
- Packaging
Quantity 5 Pieces in a box



ITEM	QTY	DESCRIPTION	MATERIAL	SURFACE	COLOR	ITEM NO	NOTES
1	1	HB-EMV Hood	Aluminium	Aluminium Chromated	Black	12	
1	1	HB Hood	Aluminium		Grey	11	2xM32
1	1	ZB Central clip	Stainless Steel	Blank	Grey	10	
1	1	ZB Central clip	Steel	Zinc Plated	Blue	9	
1	1	YS Locking clip	Stainless Steel	Blank	Grey	8	
1	1	YS Locking clip	Steel	Zinc Plated	Blue	7	
1	1	LB Clip bolt	Stainless Steel	Blank	Grey	6	
1	1	LB Clip bolt	Steel	Zinc Plated	Blue	5	
1	1	VS Locking clip bolt	Stainless Steel	Blank	Grey	4	
1	1	HB-EMV Hood	Aluminium		Grey	1	
1	1	HB Hood	Aluminium	Aluminium Oxide	Black	2	
1	1	HB Hood	Aluminium		Grey	1	

OBsolete

ITEM	QTY	DESCRIPTION	MATERIAL	SURFACE	COLOR	ITEM NO	NOTES
1	1	HB-EMV Hood	Aluminium	Aluminium Chromated	Black	12	
1	1	HB Hood	Aluminium		Grey	11	2xM32
1	1	ZB Central clip	Stainless Steel	Blank	Grey	10	
1	1	ZB Central clip	Steel	Zinc Plated	Blue	9	
1	1	YS Locking clip	Stainless Steel	Blank	Grey	8	
1	1	YS Locking clip	Steel	Zinc Plated	Blue	7	
1	1	LB Clip bolt	Stainless Steel	Blank	Grey	6	
1	1	LB Clip bolt	Steel	Zinc Plated	Blue	5	
1	1	VS Locking clip bolt	Stainless Steel	Blank	Grey	4	
1	1	HB-EMV Hood	Aluminium		Grey	1	
1	1	HB Hood	Aluminium	Aluminium Oxide	Black	2	
1	1	HB Hood	Aluminium		Grey	1	

DIMENSIONS: mm
 TOLERANCES UNLESS OTHERWISE SPECIFIED:
 0 PLC
 10 PLC
 10-74.001
 108-74.003
 114-74.001
 114-74.004
 MATERIAL: ALUMINIUM
 FINISH: H-H-H-H
 WEIGHT: -
 CUSTOMER DRAWING: -
 SCALE: 1:1
 SHEET: 1 OF 1
 REV: A9

DWN: 01.08.2000
 CKE: 01.08.2000
 SCHWEIGER
 NAME: HOOB
 HB.24.ST0/STS M-Thread
 Tyco Electronics, AMP, GmbH
 0-53819, Neunkirchen, Germany
 PRODUCT SPEC: 108-74.001
 108-74.003
 APPLICATION SPEC: 114-74.001
 114-74.004
 SIZE: A1
 CAGE CODE: C=1106465
 DRAWING NO: -
 RESTRICTED TO: -

X-ON Electronics

Largest Supplier of Electrical and Electronic Components

Click to view similar products for [Heavy Duty Power Connectors](#) category:

Click to view products by [TE Connectivity](#) manufacturer:

Other Similar products are found below :

[1424439](#) [1424438](#) [09330062652](#) [2-8675P1](#) [605601-1](#) [6340G1](#) [6341G1](#) [6360G1](#) [6373G1](#) [6374g2](#) [6396G1](#) [647757-1](#) [66394-4](#) [6643411-1](#)
[6646058-2](#) [6646137-1](#) [6646138-1](#) [6646348-1](#) [6646479-1](#) [6646608-1](#) [6646786-1](#) [6646940-1](#) [6651091-1](#) [6651525-1](#) [6651529-1](#) [6651778-1](#)
[6651788-1](#) [696465-1](#) [696475-1](#) [73000005059](#) [73000005349](#) [73000005642](#) [73080255059](#) [73080965046](#) [765-15-0080A](#) [765-16-0080B](#)
[789.700-44](#) [789.700-54](#) [80-1010](#) [80-9](#) [827381-1](#) [829992-1](#) [902-77-02113](#) [PL00U-301-10D10](#) [PM103MOOLOO](#) [PM16S1620S32-50](#)
[PM212MOOLOO](#) [PM309FOOLOO](#) [PM324FOOLCH](#) [PMHPAF11S03](#)