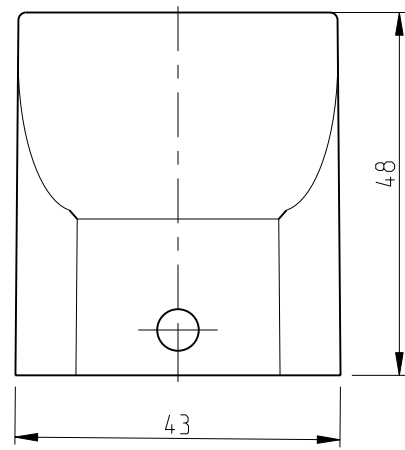
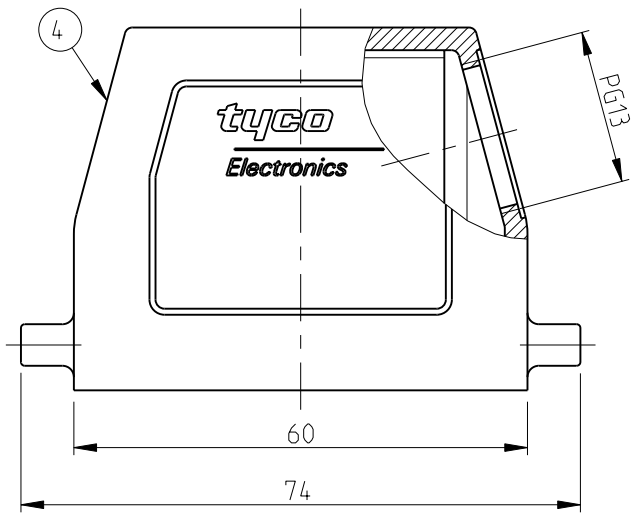


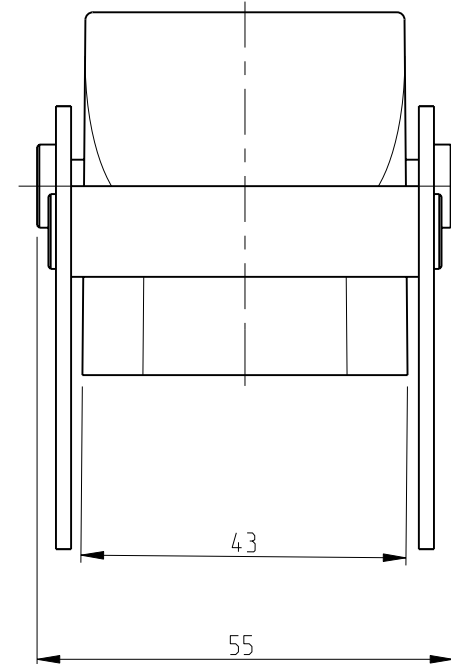
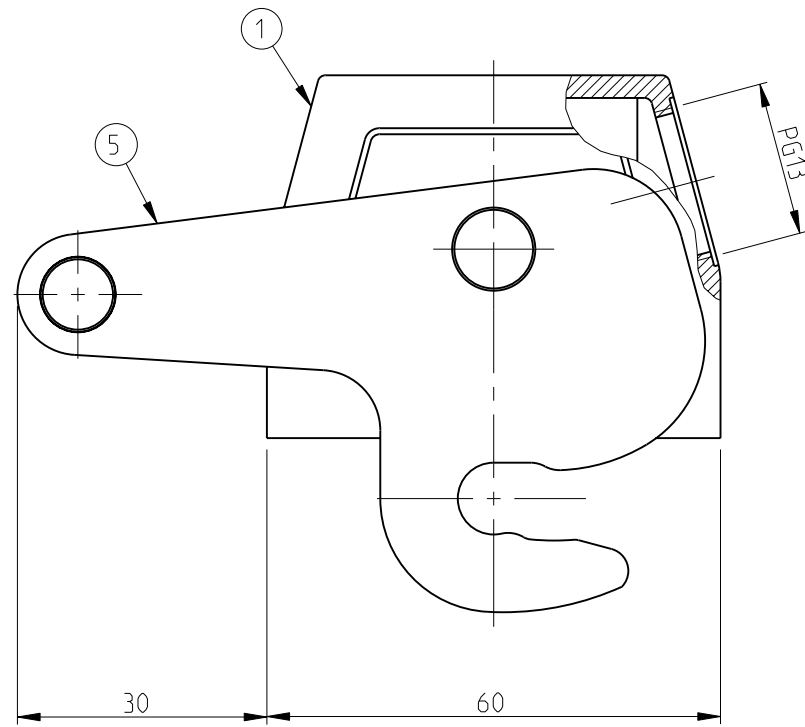
THIS DRAWING IS UNPUBLISHED. RELEASED FOR PUBLICATION 1997
 © COPYRIGHT 1997 BY TYCO ELECTRONICS CORPORATION. ALL RIGHTS RESERVED.

REVISIONS					
P	LTR	DESCRIPTION	DATE	DWN	APVD
A4		ECR-10-014419	08JUL2010	SR	AR

PN 0-4



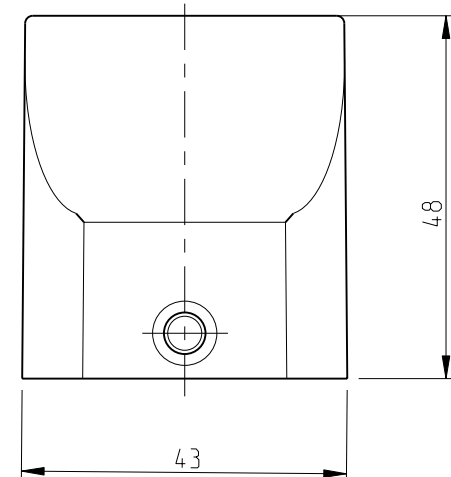
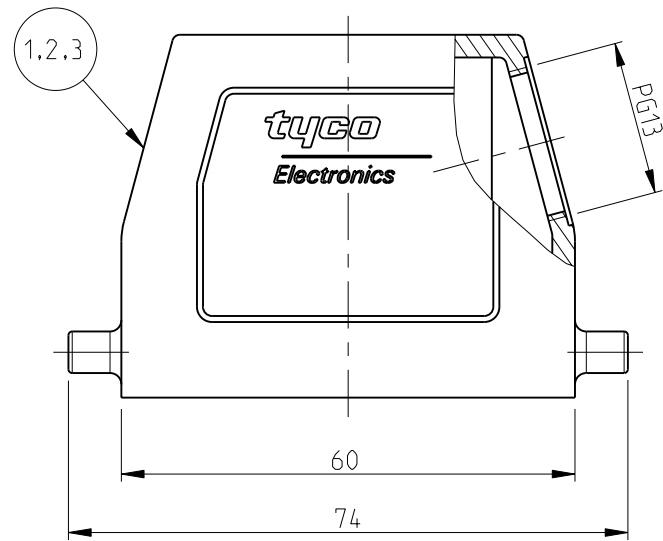
PN 0-6



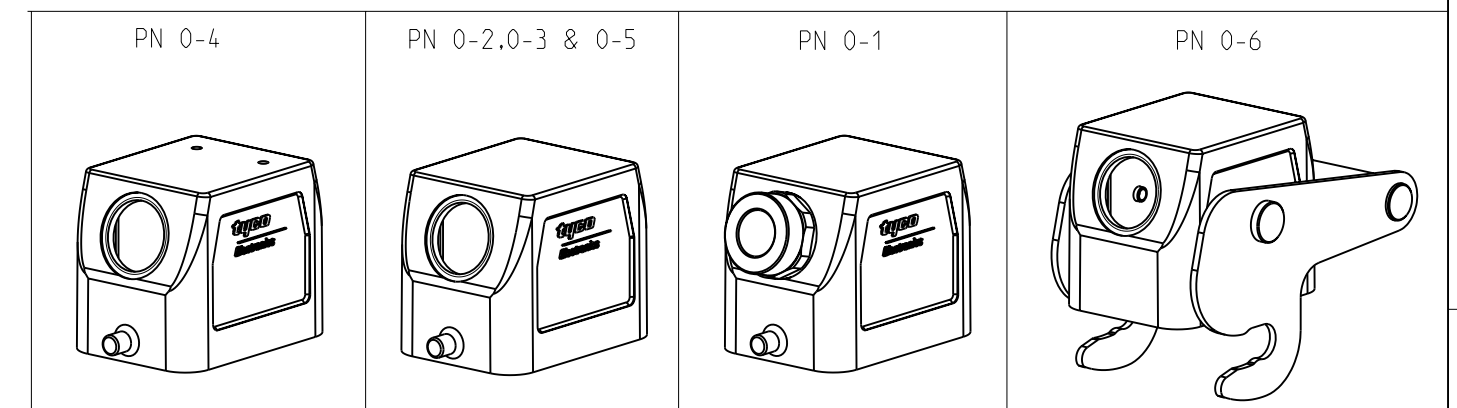
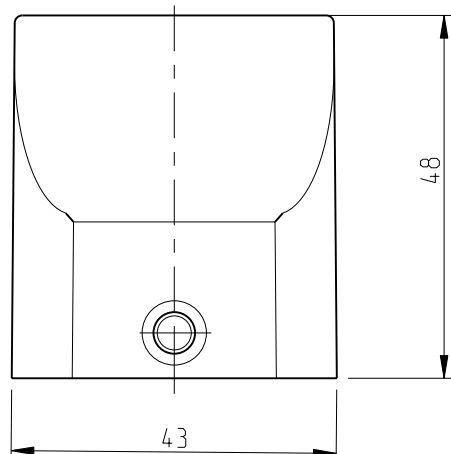
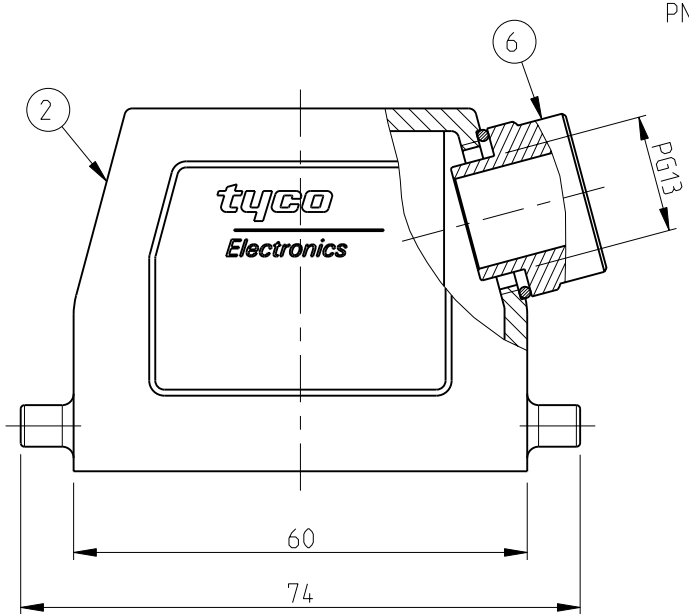
Notes

- 1 Material: Housing: Aluminium diecasting alloy
- 2 Surface:- Varnish-grey
-Aluminium oxide+
Varnish black
- 3 Varnish on the inside not necessary
- 4 Packaging
Packaging quantity: 5 pieces in a box

PN 0-2.0-3 & 0-5



PN 0-1



OBSOLETE											
QTY	DESCRIPTION	MATERIAL	SURFACE	COLOR	ITEM NO	NOTES					
1	O-Ring PG13	Perbunan		Black	9						
1	Adapter	Brass	Nickel plated	Blue	8						
2	Clip positioner-ZBI	Steel	Zinc plated	Blue	7						
1	ZB-Side clip	Steel	Zinc plated	Blue	6						
1	Hood HB6	Aluminium		Grey	5						
1	Hood HB6	Aluminium	HC	ALU-Colored	4						
1	Hood HB6	Aluminium	HC	Black	3						
1	Hood HB6	Aluminium		Grey	2						
1	Hood HB6	Aluminium		Grey	1						
0-6	0-1	0-2	0-5	0-4	0-3	DESCRIPTION	MATERIAL	SURFACE	COLOR	ITEM NO	NOTES
						HB.6.STS.1.13G					
						HB.6.STS.1.13.G+2.M3					
						HB-K.6.STS.1.13.G					
						HB-K.6.STS.1.13.G-S0					
						HB-K.6.STS.1.13.Z					
						HB-Z.6.STS-ZB.1.13.G					

THIS DRAWING IS A CONTROLLED DOCUMENT FOR TYCO ELECTRONICS CORPORATION. IT IS SUBJECT TO CHANGE AND THE CONTROLLING ENGINEERING ORGANIZATION SHOULD BE CONTACTED FOR THE LATEST REVISION.		DWN Schneider 29.11.2002	Tyco Electronics Tyco Electronics.AMP.GmbH 53757 Sankt Augustin Germany	
DIMENSIONS: mm		CHK Schweiger 29.11.2002	NAME HOOD HB.6.STS.1.13.G.and Z	
TOLERANCES UNLESS OTHERWISE SPECIFIED: n-ISO 8013 n-ISO 2768-MSE n-DIN 9137 n-DIN 9138 n-DIN 9139 n-DIN 9140 n-DIN 9141 n-DIN 9142 n-DIN 9143 n-DIN 9144 n-DIN 9145 n-DIN 9146 n-DIN 9147 n-DIN 9148 n-DIN 9149 n-DIN 9150 n-DIN 9151 n-DIN 9152 n-DIN 9153 n-DIN 9154 n-DIN 9155 n-DIN 9156 n-DIN 9157 n-DIN 9158 n-DIN 9159 n-DIN 9160 n-DIN 9161 n-DIN 9162 n-DIN 9163 n-DIN 9164 n-DIN 9165 n-DIN 9166 n-DIN 9167 n-DIN 9168 n-DIN 9169 n-DIN 9170 n-DIN 9171 n-DIN 9172 n-DIN 9173 n-DIN 9174 n-DIN 9175 n-DIN 9176 n-DIN 9177 n-DIN 9178 n-DIN 9179 n-DIN 9180 n-DIN 9181 n-DIN 9182 n-DIN 9183 n-DIN 9184 n-DIN 9185 n-DIN 9186 n-DIN 9187 n-DIN 9188 n-DIN 9189 n-DIN 9190 n-DIN 9191 n-DIN 9192 n-DIN 9193 n-DIN 9194 n-DIN 9195 n-DIN 9196 n-DIN 9197 n-DIN 9198 n-DIN 9199		APVD Schweiger	RESTRICTED TO	
MATERIAL		PRODUCT SPEC 108/74001/74003	SIZE A2	CAGE CODE 00779
FINISH		APPLICATION SPEC 114-74001/74004/74005	DRAWING NO C=1108573	SCALE 1:1
		WEIGHT	SHEET 1 OF 1	
		CUSTOMER DRAWING	REV A4	

X-ON Electronics

Largest Supplier of Electrical and Electronic Components

Click to view similar products for [Heavy Duty Power Connectors](#) category:

Click to view products by [TE Connectivity](#) manufacturer:

Other Similar products are found below :

[1424439](#) [1424438](#) [09330062652](#) [2-8675P1](#) [605601-1](#) [6340G1](#) [6341G1](#) [6360G1](#) [6373G1](#) [6374g2](#) [6396G1](#) [647757-1](#) [66394-4](#) [6643411-1](#)
[6646058-2](#) [6646137-1](#) [6646138-1](#) [6646348-1](#) [6646479-1](#) [6646608-1](#) [6646786-1](#) [6646940-1](#) [6651091-1](#) [6651525-1](#) [6651529-1](#) [6651778-1](#)
[6651788-1](#) [696465-1](#) [696475-1](#) [73000005059](#) [73000005349](#) [73000005642](#) [73080255059](#) [73080965046](#) [765-15-0080A](#) [765-16-0080B](#)
[789.700-44](#) [789.700-54](#) [80-1010](#) [80-9](#) [827381-1](#) [829992-1](#) [902-77-02113](#) [PL00U-301-10D10](#) [PM103MOOLOO](#) [PM16S1620S32-50](#)
[PM212MOOLOO](#) [PM309FOOLOO](#) [PM324FOOLCH](#) [PMHPAF11S03](#)