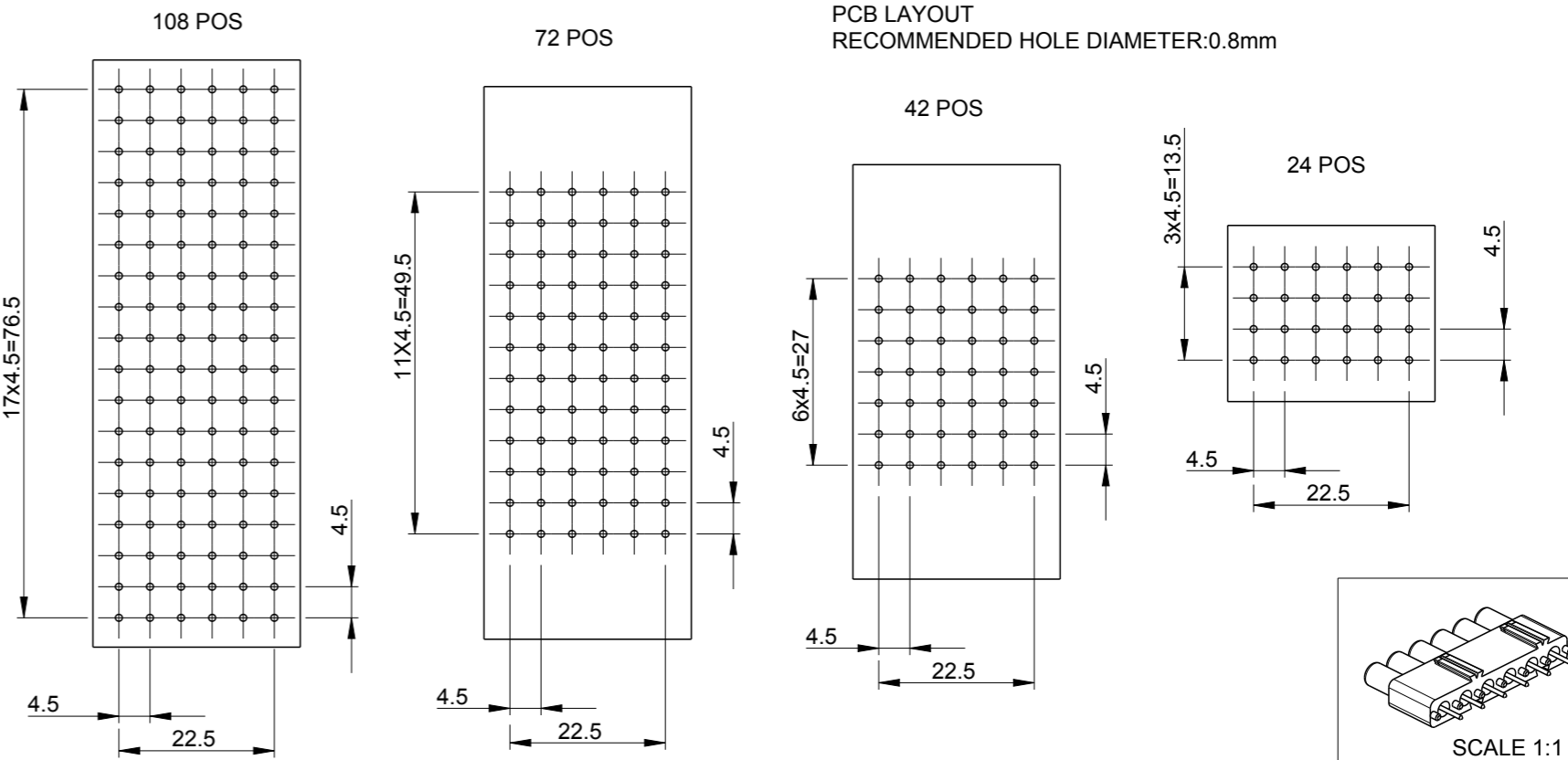
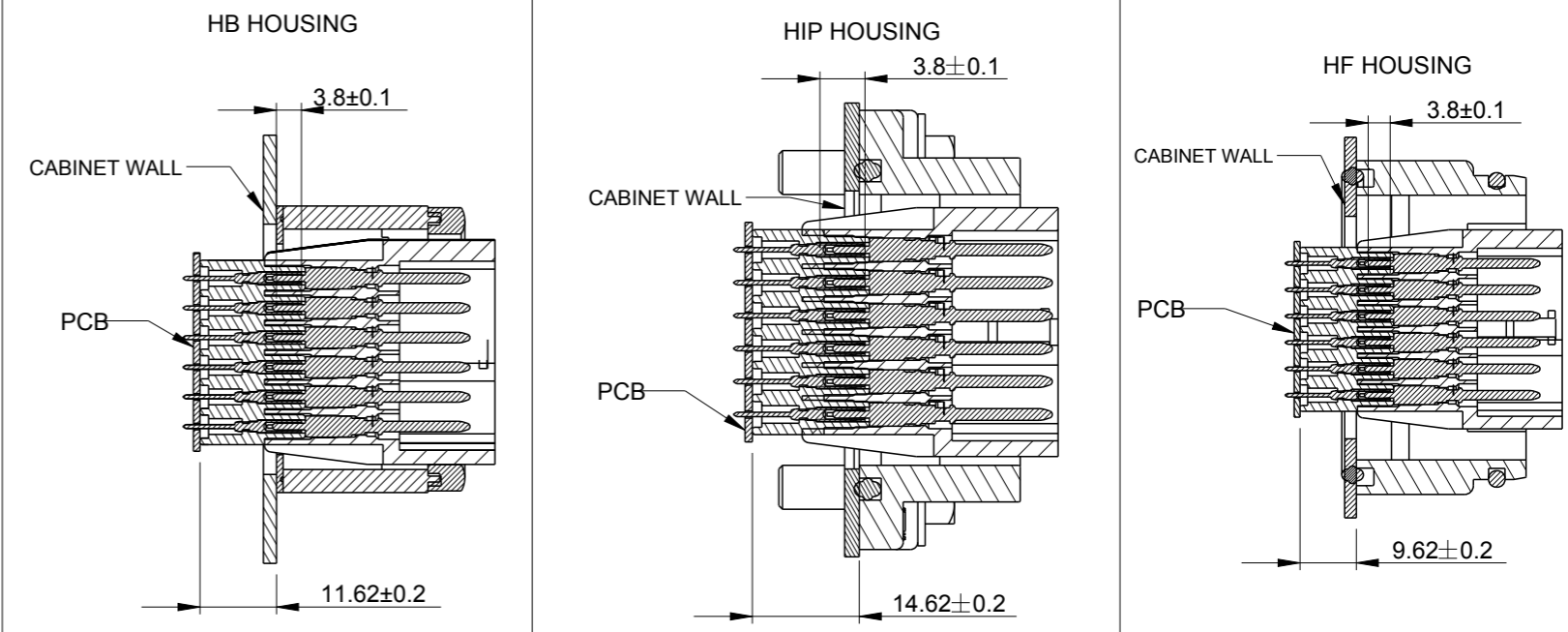
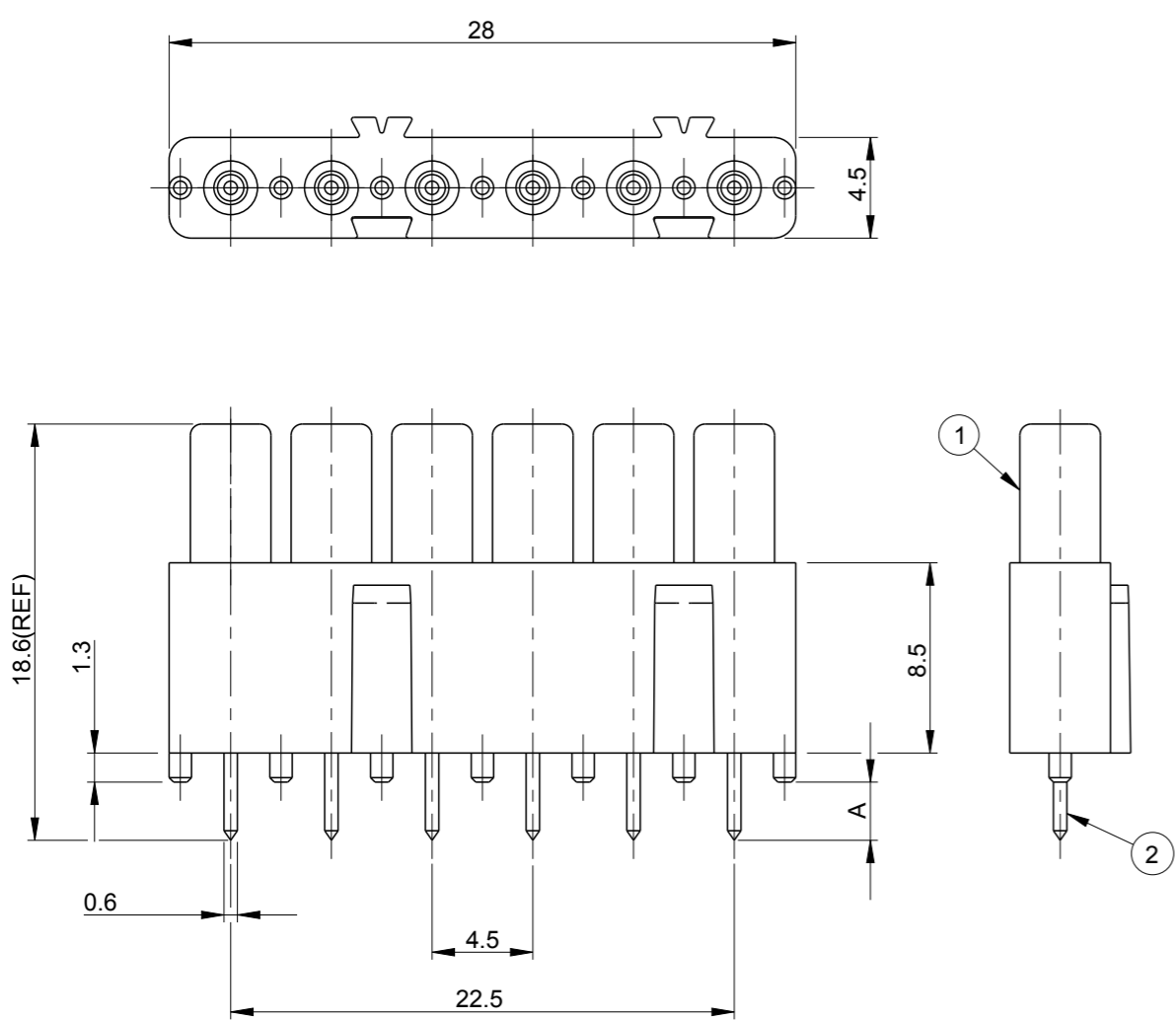


THIS DRAWING IS UNPUBLISHED. RELEASED FOR PUBLICATION
 © COPYRIGHT 2000 BY - ALL RIGHTS RESERVED.

P		LTR		DESCRIPTION	DATE	DWN	APVD
A5		ECR-16-016696			22AUG2017	GCM	MKO



0-2	3.4±0.05
0-1	2.6±0.05
PN	'A' in mm

- NOTES:
- PACKAGING: 24 PIECES PER BAG
 - STANDARDS: DIN EN 61984; DIN EN 60664-1
 - SUITABLE HOUSING SERIES: HN.2D INSERTS

ASSEMBLY CONDITION

HOUSING TYPE	RECOMMENDED DIST B/W CABINET WALL AND PCB	CONTACT OVERLAP
HB	11.62±0.2	3.8±0.1
HF	14.26±0.2	3.8±0.1
HIP	9.62±0.2	3.8±0.1

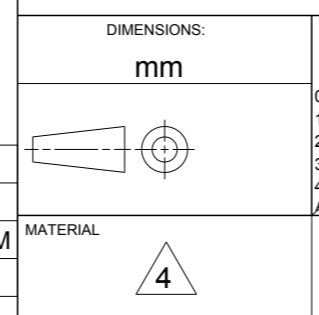
PN: 0-1 as shown
 ORDERING TEXT: ADP.HN.D.6

OBsolete	6	PIN CONTACT	BRASS	SILVER PLATED	2
1	1	ADAPTER HOUSING HN.D-6	PBT-GF15	SURFACE	1
0-2	0-1	DESCRIPTION	MATERIAL	SURFACE	ITEM

PART LIST

THIS DRAWING IS A CONTROLLED DOCUMENT.

DWN	P.BENNUR	1/3/2006	 TE Connectivity
CHK	R.SRINIVAS	1/3/2006	
APVD	T.SCHNURPFEIL	1/3/2006	
PRODUCT SPEC	108-74059		
APPLICATION SPEC	114-74059		NAME
WEIGHT	CUSTOMER DRAWING		ADAPTER HOUSING ASSY ADP.HN.D.6
SIZE	A3	CAGE CODE	00779
DRAWING NO	C-1108798		RESTRICTED TO
SCALE	3:1	SHEET	1 OF 1
REV	A5		



TOLERANCES UNLESS OTHERWISE SPECIFIED:

0 PLC	±
1 PLC	±
2 PLC	±
3 PLC	±
4 PLC	±
ANGLES	±

X-ON Electronics

Largest Supplier of Electrical and Electronic Components

Click to view similar products for [Heavy Duty Power Connectors](#) category:

Click to view products by [TE Connectivity](#) manufacturer:

Other Similar products are found below :

[1424439](#) [1424438](#) [09330062652](#) [2-8675P1](#) [605601-1](#) [6340G1](#) [6341G1](#) [6360G1](#) [6373G1](#) [6374g2](#) [6396G1](#) [647757-1](#) [66394-4](#) [6643411-1](#)
[6646058-2](#) [6646137-1](#) [6646138-1](#) [6646348-1](#) [6646479-1](#) [6646608-1](#) [6646786-1](#) [6646940-1](#) [6651091-1](#) [6651525-1](#) [6651529-1](#) [6651778-1](#)
[6651788-1](#) [696465-1](#) [696475-1](#) [73000005059](#) [73000005349](#) [73000005642](#) [73080255059](#) [73080965046](#) [765-15-0080A](#) [765-16-0080B](#)
[789.700-44](#) [789.700-54](#) [80-1010](#) [80-9](#) [827381-1](#) [829992-1](#) [902-77-02113](#) [PL00U-301-10D10](#) [PM103MOOLOO](#) [PM16S1620S32-50](#)
[PM212MOOLOO](#) [PM309FOOLOO](#) [PM324FOOLCH](#) [PMHPAF11S03](#)