

THIS DRAWING IS UNPUBLISHED
VERTRÄULICHE UNVERÖFFENTLICHE ZEICHNUNG

RELEASE FOR PUBLIKATION
FREI FUER VERÖFFENTLICHUNG

MATED WITH:
PASSEND ZU:
1110948, 1110949

LOC
AI

DIST
-

P

LTR

REVISIONS
ÄNDERUNGEN

DESCRIPTION
BESCHREIBUNG

DATE

DWN

APVD

© COPYRIGHT 2000

BY AMP INCORPORATED

ALL RIGHTS RESERVED
ALLE RECHTE VORBEHALTEN

PROJEKT NR.
B901815

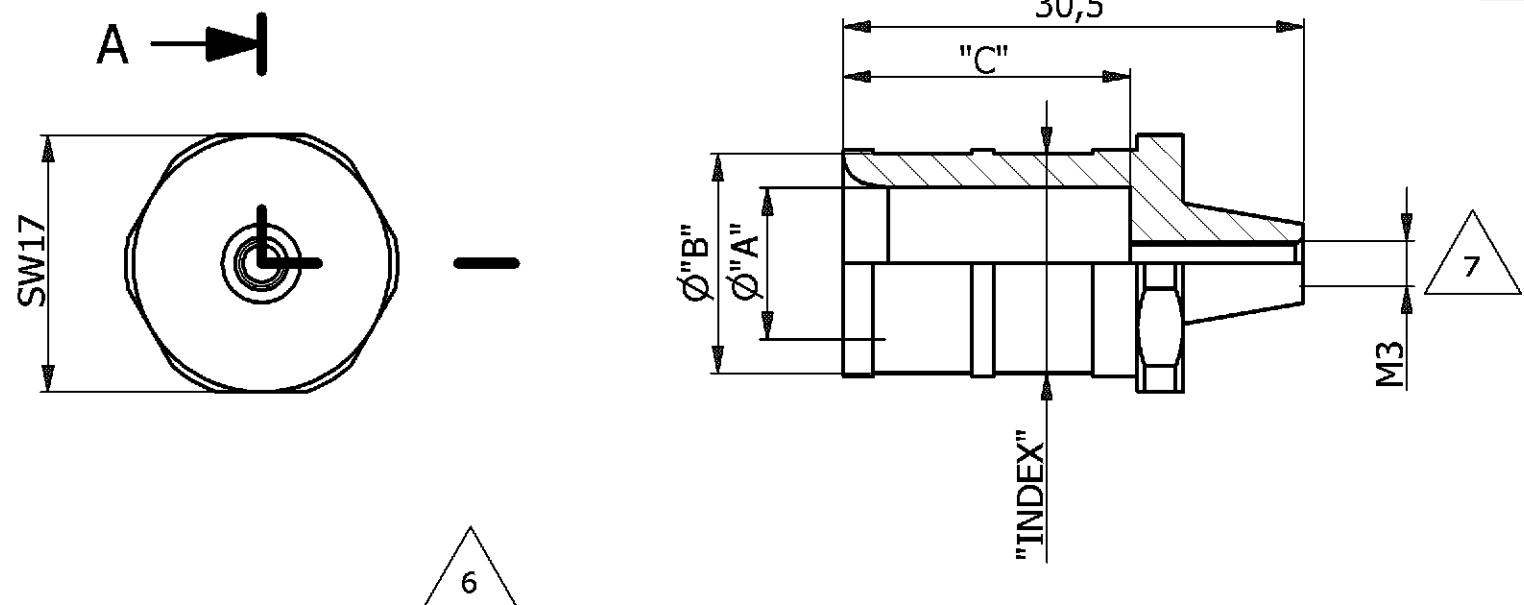
B3

ECR-05-015793 PN 1-1 ADDED

25.10.2005

BR

ST

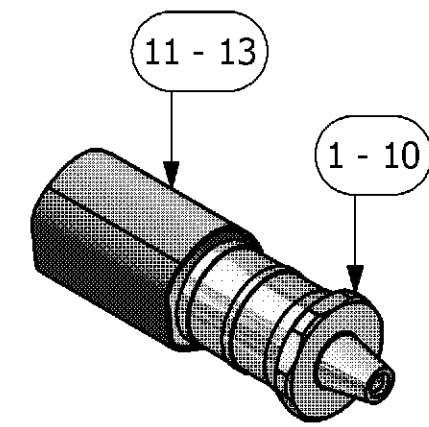


NOTES

- 1 SUITABLE CONTACTS: SERIES HF06
CUSTOMER DRAWING: 11100948, 1110949
- 2 SUITABLE CONTACTS: SERIES HF08
CUSTOMER DRAWING: 1103037, 1103038
- 3 SUITABLE CRIMPING TOOL: HYDR. TOOL 30kN
CUSTOMER DRAWING: 1105653
- 4 SUITABLE CRIMPING TOOL: HYDR. TOOLS 60kN
CUSTOMER DRAWING: 1110956
- 5 DIE SIZE "INDEX" ACC. TO DIN 48083, SEE
CUSTOMER DRAWINGS OF CRIMPING TOOLS
- △ SHRINK. TUBE ACC. TO MIL I-23053 B/5, RATE 3:1
- 7 STANDARDS:
DIN EN 61984; DIN EN 60664-1
- 8 PACKAGING:
10 SETS IN A CARTON

-	-	-	1	-	1	-	1	-	-	-	-	-	-	PO	BLACK	0,004	18 / 45	14					
1	1	1	-	1	-	1	-	-	-	-	-	-	-	PO	BLACK	0,003	18 / 25	13					
-	-	-	-	-	-	-	-	1	1	1	-	-	-	PO	BLACK	0,002	12 / 25	12					
1	-	-	-	-	-	-	-	-	-	-	-	-	-	CRIMP BARREL	14	11,5	14,0	19	COPPER	SILVER PLATED	0,018	WIRE SIZE 50 MM ³	11
-	1	-	-	-	-	-	-	-	-	-	-	-	-	CRIMP BARREL	16	11,8	16,5	19	COPPER	SILVER PLATED	0,027	WIRE SIZE 70 MM ³	10
-	-	1	-	-	-	-	-	-	-	-	-	-	-	CRIMP BARREL	14	10,0	14,5	19	COPPER	SILVER PLATED	0,024	WIRE SIZE 50 MM ³	9
-	-	-	1	-	-	-	-	-	-	-	-	-	-	CRIMP BARREL	14	9,8	14,5	19	COPPER	SILVER PLATED	0,025	WIRE SIZE 48 MM ³	8
-	-	-	-	1	-	-	-	-	-	-	-	-	-	CRIMP BARREL	12	8,2	12,5	19	COPPER	SILVER PLATED	0,021	WIRE SIZE 35 MM ³	7
-	-	-	-	-	1	-	-	-	-	-	-	-	-	CRIMP BARREL	12	8,5	12,5	19	COPPER	SILVER PLATED	0,020	WIRE SIZE 30 MM ³	6
-	-	-	-	-	-	1	-	-	-	-	-	-	-	CRIMP BARREL	10	7,0	10,0	19	COPPER	SILVER PLATED	0,016	WIRE SIZE 25 MM ³	5
-	-	-	-	-	-	-	1	-	-	-	-	-	-	CRIMP BARREL	8	5,9	8,5	19	COPPER	SILVER PLATED	0,014	WIRE SIZE 18 MM ³	4
-	-	-	-	-	-	-	-	1	-	-	-	-	-	CRIMP BARREL	8	5,5	8,5	19	COPPER	SILVER PLATED	0,015	WIRE SIZE 16 MM ³	3
-	-	-	-	-	-	-	-	-	1	-	-	-	-	CRIMP BARREL	6	4,5	6,0	19	COPPER	SILVER PLATED	0,011	WIRE SIZE 10 MM ³	2
-	-	-	-	-	-	-	-	-	-	1	-	-	-	CRIMP BARREL	5	3,8	5,5	19	COPPER	SILVER PLATED	0,010	WIRE SIZE 06 MM ³	1

PART NO. / QUANTITY											INDEX ACC.	A	B	C	MATERIAL	SURFACE	WEIGHT [kg]	NOTE	ITEM	
1-1	1-0	0-9	0-8	0-7	0-6	0-5	0-4	0-3	0-2	0-1	DESCRIPTION	TO DIN 48083	DIMENSIONS							
											ORDERING TEXT: CH.6 MM ² -6MM	WIRE: H07V-K 1x6MM ²								
											ORDERING TEXT: CH.10.MM ² -6MM	WIRE: H07V-K 1x10MM ²								
											ORDERING TEXT: CH.16 MM ² -6MM	WIRE: H07V-K 1x16MM ²								
											ORDERING TEXT: CH.18.MM ² -6MM	WIRE: RADOX 155, ZYRAD 555, BETATHERM 155 3x6MM ²								
											ORDERING TEXT: CH.25 MM ² -6MM	WIRE: H07V-K 1x25MM ²								
											ORDERING TEXT: CH.30.MM ² -6MM	WIRE: RADOX 155, ZYRAD 555, BETATHERM 155 3x10MM ²								
											ORDERING TEXT: CH.35 MM ² -6MM	WIRE: LAPP H07V-K, H07V-K UL STYLE 1015, CSA, TEW 1x35MM ²								
											ORDERING TEXT: CH.48.MM ² -6MM	WIRE: RADOX 155, ZYRAD 555, BETATHERM 155 3x16MM ²								
											ORDERING TEXT: CH.50 MM ² -6MM	WIRE: LAPP H07V-K, H07V-K UL STYLE 1015, CSA, TEW 1x50MM ²								
											ORDERING TEXT: CH.70.MM ² -6MM	WIRE: LAPP H07V-K, H07V-K UL STYLE 1015, CSA, TEW 1x70MM ² , 2x35MM ²								
											ORDERING TEXT: CH.50H.MM ² -6MM	WIRE: HIGH FLEX. WIRE ACC. TO DIN 46438								



M 1:1

THIS DRAWING IS A CONTROLLED DOCUMENT FOR AMP INCORPORATED.
IT IS SUBJECT TO CHANGE AND THE CONTROLLING ENGINEERING
ORGANIZATION SHOULD BE CONTACTED FOR THE LATEST REVISION.
DIESES ZEICHNUNGSDOKUMENT WIRD DURCH AMP INCORPORATED KONTROLLIERT.
ÄNDERUNGEN, DIE DEM TECHNISCHEN FORTSCHRITT DIENEN, SIND VORBEHALTEN.
DEN JEWEILS LETZTGÜLTIGEN ÄNDERUNGSSTAND ERFAHREN SIE AUF ANFRAGE.

DIMENSIONS: DIMENSIONEN: mm	TOLERANCES UNLESS OTHERWISE SPECIFIED: ALLGEMEINTOLERANZEN
	n. ISO 8015 - n. ISO 2768 - mH-E n. DIN 16901- 140
MATERIAL	FINISH / OBERFLÄCHE / FARBE

DWN H.BRAUN 25.10.2005		Tyco / Electronics AMP GmbH D - 53819 Neunkirchen	
CHK			
APVD T.SCHNURPFEIL 25.10.2005	NAME	CRIMP BARREL SERIES HF06, HF08	
PRODUCT SPEC. PRODUKTSPEZ. 108-74024	SIZE	CAGE CODE	DRAWING NO ZEICHNUNGS-NR.
APPLICATION SPEC. VERARBEITUNGSSPEZ. 114-74031	A3	00779	1110952
WEIGHT GEWICHT SEE TABLE	CUSTOMER DRAWING / KUNDENZEICHNUNG		
	SCALE MASSSTAB	SHEET BLATT	RESTRICTED TO NUR FUER
	2:1	1 OF VON	REV. B3

K:\Prod_Eng\3D-Modelle\Krimp\H07V-K\1110952.dwg

X-ON Electronics

Largest Supplier of Electrical and Electronic Components

Click to view similar products for [Heavy Duty Power Connectors](#) category:

Click to view products by [TE Connectivity](#) manufacturer:

Other Similar products are found below :

[1424439](#) [1424438](#) [09330062652](#) [2-8675P1](#) [605601-1](#) [6340G1](#) [6341G1](#) [6360G1](#) [6373G1](#) [6374g2](#) [6396G1](#) [647757-1](#) [66394-4](#) [6643411-1](#)
[6646058-2](#) [6646137-1](#) [6646138-1](#) [6646348-1](#) [6646479-1](#) [6646608-1](#) [6646786-1](#) [6646940-1](#) [6651091-1](#) [6651525-1](#) [6651529-1](#) [6651778-1](#)
[6651788-1](#) [696465-1](#) [696475-1](#) [73000005059](#) [73000005349](#) [73000005642](#) [73080255059](#) [73080965046](#) [765-15-0080A](#) [765-16-0080B](#)
[789.700-44](#) [789.700-54](#) [80-1010](#) [80-9](#) [827381-1](#) [829992-1](#) [902-77-02113](#) [PL00U-301-10D10](#) [PM103MOOLOO](#) [PM16S1620S32-50](#)
[PM212MOOLOO](#) [PM309FOOLOO](#) [PM324FOOLCH](#) [PMHPAF11S03](#)