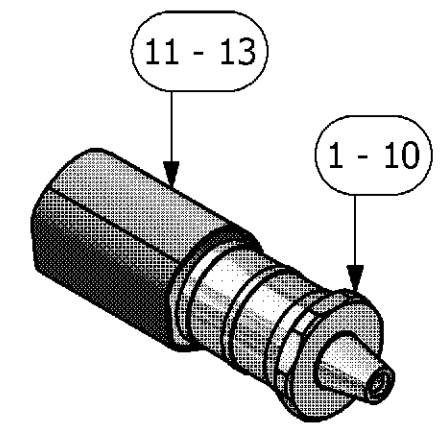


NOTES

- 1 SUITABLE CONTACTS: SERIES HF06
CUSTOMER DRAWING: 11100948, 1110949
- 2 SUITABLE CONTACTS: SERIES HF08
CUSTOMER DRAWING: 1103037, 1103038
- 3 SUITABLE CRIMPING TOOL: HYDR. TOOL 30kN
CUSTOMER DRAWING: 1105653
- 4 SUITABLE CRIMPING TOOL: HYDR. TOOLS 60kN
CUSTOMER DRAWING: 1110956
- 5 DIE SIZE "INDEX" ACC. TO DIN 48083, SEE
CUSTOMER DRAWINGS OF CRIMPING TOOLS
- △ SHRINK. TUBE ACC. TO MIL I-23053 B/5, RATE 3:1
- 7 STANDARDS:
DIN EN 61984; DIN EN 60664-1
- 8 PACKAGING:
10 SETS IN A CARTON

PART NO. / QUANTITY										INDEX ACC.	A	B	C	DESCRIPTION	MATERIAL	SURFACE	WEIGHT [kg]	NOTE	ITEM	
1	1	1	1	1	1	1	1	1	1	SHRINK. TUBE	-	-	-	-	PO	BLACK		0,004	18 / 45	14
1	1	1	1	1	1	1	1	1	1	SHRINK. TUBE	-	-	-	-	PO	BLACK		0,003	18 / 25	13
1	1	1	1	1	1	1	1	1	1	SHRINK. TUBE	-	-	-	-	PO	BLACK		0,002	12 / 25	12
1	1	1	1	1	1	1	1	1	1	CRIMP BARREL	14	11,5	14,0	19	COPPER	SILVER PLATED		0,018	WIRE SIZE 50 MM ³	11
1	1	1	1	1	1	1	1	1	1	CRIMP BARREL	16	11,8	16,5	19	COPPER	SILVER PLATED		0,027	WIRE SIZE 70 MM ³	10
1	1	1	1	1	1	1	1	1	1	CRIMP BARREL	14	10,0	14,5	19	COPPER	SILVER PLATED		0,024	WIRE SIZE 50 MM ³	9
1	1	1	1	1	1	1	1	1	1	CRIMP BARREL	14	9,8	14,5	19	COPPER	SILVER PLATED		0,025	WIRE SIZE 48 MM ³	8
1	1	1	1	1	1	1	1	1	1	CRIMP BARREL	12	8,2	12,5	19	COPPER	SILVER PLATED		0,021	WIRE SIZE 35 MM ³	7
1	1	1	1	1	1	1	1	1	1	CRIMP BARREL	12	8,5	12,5	19	COPPER	SILVER PLATED		0,020	WIRE SIZE 30 MM ³	6
1	1	1	1	1	1	1	1	1	1	CRIMP BARREL	10	7,0	10,0	19	COPPER	SILVER PLATED		0,016	WIRE SIZE 25 MM ³	5
1	1	1	1	1	1	1	1	1	1	CRIMP BARREL	8	5,9	8,5	19	COPPER	SILVER PLATED		0,014	WIRE SIZE 18 MM ³	4
1	1	1	1	1	1	1	1	1	1	CRIMP BARREL	8	5,5	8,5	19	COPPER	SILVER PLATED		0,015	WIRE SIZE 16 MM ³	3
1	1	1	1	1	1	1	1	1	1	CRIMP BARREL	6	4,5	6,0	19	COPPER	SILVER PLATED		0,011	WIRE SIZE 10 MM ³	2
1	1	1	1	1	1	1	1	1	1	CRIMP BARREL	5	3,8	5,5	19	COPPER	SILVER PLATED		0,010	WIRE SIZE 06 MM ³	1

1-1	1-0	0-9	0-8	0-7	0-6	0-5	0-4	0-3	0-2	0-1	DESCRIPTION	INDEX ACC.	A	B	C	MATERIAL	SURFACE	WEIGHT	NOTE	ITEM	
ORDERING TEXT: CH.6 MM ² -6MM WIRE: H07V-K 1x6MM ²																					
ORDERING TEXT: CH.10.MM ² -6MM WIRE: H07V-K 1x10MM ²																					
ORDERING TEXT: CH.16 MM ² -6MM WIRE: H07V-K 1x16MM ²																					
ORDERING TEXT: CH.18.MM ² -6MM WIRE: RADOX 155, ZYRAD 555, BETATHERM 155 3x6MM ²																					
ORDERING TEXT: CH.25 MM ² -6MM WIRE: H07V-K 1x25MM ²																					
ORDERING TEXT: CH.30.MM ² -6MM WIRE: RADOX 155, ZYRAD 555, BETATHERM 155 3x10MM ²																					
ORDERING TEXT: CH.35 MM ² -6MM WIRE: LAPP H07V-K, H07V-K UL STYLE 1015, CSA, TEW 1x35MM ²																					
ORDERING TEXT: CH.48.MM ² -6MM WIRE: RADOX 155, ZYRAD 555, BETATHERM 155 3x16MM ²																					
ORDERING TEXT: CH.50 MM ² -6MM WIRE: LAPP H07V-K, H07V-K UL STYLE 1015, CSA, TEW 1x50MM ²																					
ORDERING TEXT: CH.70.MM ² -6MM WIRE: LAPP H07V-K, H07V-K UL STYLE 1015, CSA, TEW 1x70MM ² , 2x35MM ²																					
ORDERING TEXT: CH.50H.MM ² -6MM WIRE: HIGH FLEX. WIRE ACC. TO DIN 46438																					



M 1:1

THIS DRAWING IS A CONTROLLED DOCUMENT FOR AMP INCORPORATED. IT IS SUBJECT TO CHANGE AND THE CONTROLLING ENGINEERING ORGANIZATION SHOULD BE CONTACTED FOR THE LATEST REVISION. DIESES ZEICHNUNGSDOKUMENT WIRD DURCH AMP INCORPORATED KONTROLLIERT. ÄNDERUNGEN, DIE DEM TECHNISCHEN FORTSCHRITT DIENEN, SIND VORBEHALTEN. DEN JEWEILS LETZTGÜLTIGEN ÄNDERUNGSSTAND ERFAHREN SIE AUF ANFRAGE.		DWN H.BRAUN 25.10.2005	tyco Electronics		Tyco / Electronics AMP GmbH D - 53819 Neunkirchen
DIMENSIONS: DIMENSIONEN: mm		CHK	NAME T.SCHNURPFEIL		
		APVD T.SCHNURPFEIL 25.10.2005		CRIMP BARREL	
		PRODUCT SPEC. PRODUKTSPEZ. 108-74024		SERIES HF06, HF08	
MATERIAL		APPLICATION SPEC. VERARBEITUNGSSPEZ. 114-74031		SIZE A3	RESTRICTED TO NUR FUER
FINISH / OBERFLÄCHE / FARBE		WEIGHT GEWICHT SEE TABLE		CAGE CODE 00779	DRAWING NO ZEICHNUNGS-NR. 1110952
CUSTOMER DRAWING / KUNDENZEICHNUNG					
				SCALE MASSSTAB 2:1	SHEET BLATT 1 OF VON 1
				REV. B3	

X-ON Electronics

Largest Supplier of Electrical and Electronic Components

Click to view similar products for [Heavy Duty Power Connectors](#) category:

Click to view products by [TE Connectivity](#) manufacturer:

Other Similar products are found below :

[1424439](#) [1424438](#) [09330062652](#) [2-8675P1](#) [605601-1](#) [6340G1](#) [6341G1](#) [6360G1](#) [6373G1](#) [6374g2](#) [6396G1](#) [647757-1](#) [66394-4](#) [6643411-1](#)
[6646058-2](#) [6646137-1](#) [6646138-1](#) [6646348-1](#) [6646479-1](#) [6646608-1](#) [6646786-1](#) [6646940-1](#) [6651091-1](#) [6651525-1](#) [6651529-1](#) [6651778-1](#)
[6651788-1](#) [696465-1](#) [696475-1](#) [73000005059](#) [73000005349](#) [73000005642](#) [73080255059](#) [73080965046](#) [765-15-0080A](#) [765-16-0080B](#)
[789.700-44](#) [789.700-54](#) [80-1010](#) [80-9](#) [827381-1](#) [829992-1](#) [902-77-02113](#) [PL00U-301-10D10](#) [PM103MOOLOO](#) [PM16S1620S32-50](#)
[PM212MOOLOO](#) [PM309FOOLOO](#) [PM324FOOLCH](#) [PMHPAF11S03](#)