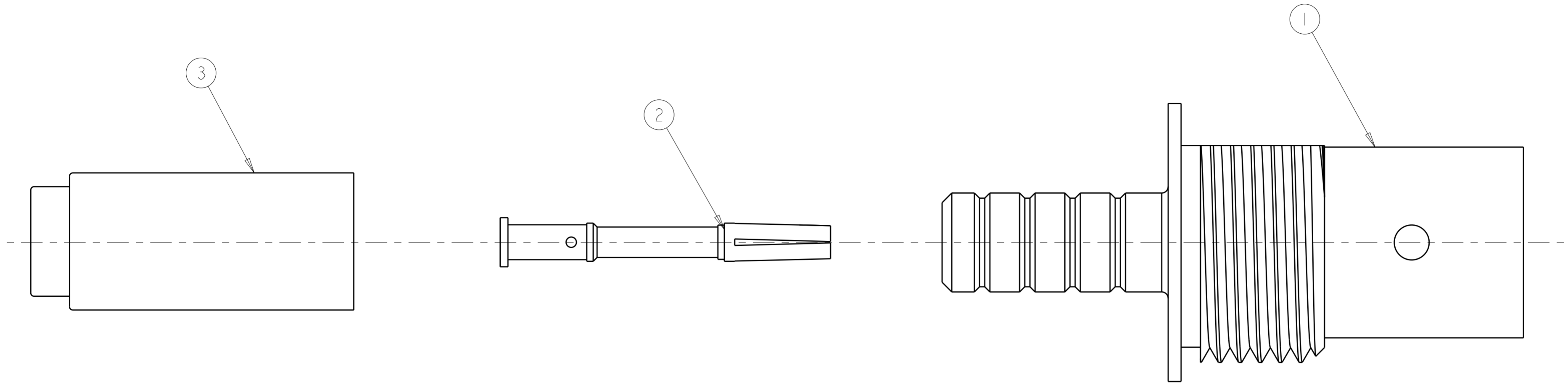
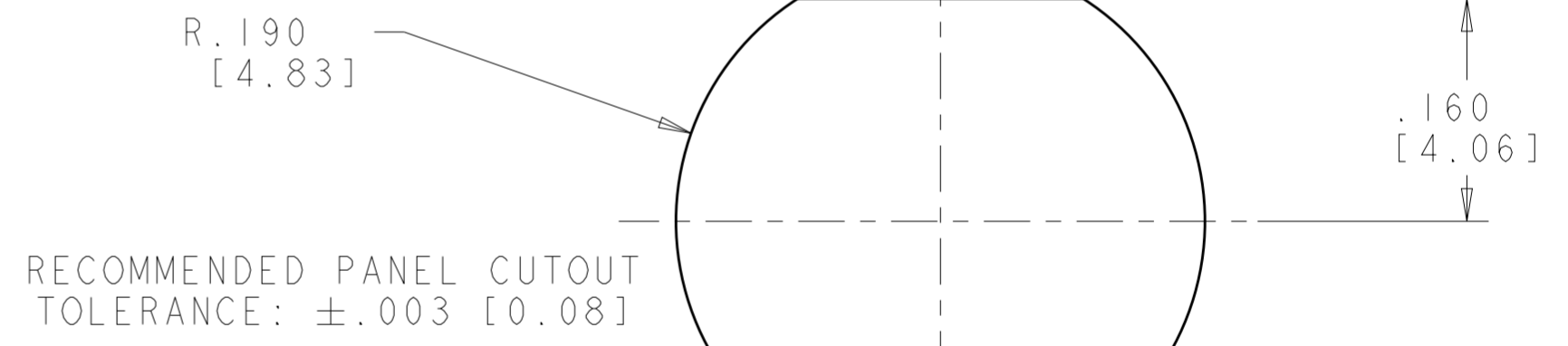


THIS DRAWING IS UNPUBLISHED. RELEASED FOR PUBLICATION 20
 © COPYRIGHT 20 ALL RIGHTS RESERVED.

LOC	DIST	REVISIONS			
P	LTR	DESCRIPTION	DATE	DWN	APVD
AJ	16	E2	REVISED PER ECR-17-009545	17JUL2017	AS RS
		E3	ECO-15-013027	25JUN2018	RZ RS



- 1. ITEMS PACKAGED UNASSEMBLED.
- 2. ITEMS 4 AND 5 NOT SHOWN FOR CLARITY.
- 3. SEE SEPARATE CUSTOMER DRAWINGS FOR ITEM DETAILS.
- 4. SEE INSTRUCTION SHEET 408-8871 FOR CABLE TERMINATION DETAILS.



	RG179	.042 [1.07]	.178 [4.52]	1-329492-1	2-330249-2	9-413658-0	1274570-9	1274569-3	1274568-3
OBSOLETE	734A	.042 [1.07]	.255 [6.48]	1-329492-1	2-330249-2	9-221132-3	1274570-6	1274569-2	1274568-2
OBSOLETE	735A	.042 [1.07]	.178 [4.52]	1-329492-1	2-330249-2	9-413658-2	1274570-3	1274569-1	1274568-1
	CABLE	CONTACT CRIMP (SQUARE)	FERRULE CRIMP (HEX)	⑤ LOCKWASHER QTY = 1	④ JAM NUT QTY = 1	③ FERRULE QTY = 1	② CONTACT QTY = 1	① JACK ASSY QTY = 1	PART NUMBER

THIS DRAWING IS A CONTROLLED DOCUMENT.

DIMENSIONS: INCHES [mm]	TOLERANCES UNLESS OTHERWISE SPECIFIED:	DWN: K. WEIDNER 02JUN2003	TE Connectivity
	0 PLC ±	CHK: G. MICHAEL 13FEB2004	
	1 PLC ±	APVD: K. WEIDNER 13FEB2004	
	2 PLC ±	PRODUCT SPEC: 108-2159	
	3 PLC ±.005 [0.13]	APPLICATION SPEC: -	NAME: BULKHEAD JACK KIT, MINI BNC
	4 PLC ±	WEIGHT: -	SIZE: A200779
MATERIAL: -	ANGLES ±2	CUSTOMER DRAWING	CAGE CODE: C-1274568
	FINISH: -	SCALE: 4:1	DRAWING NO: -
		SHEET 1 OF 1	RESTRICTED TO: -
		REV: E3	

X-ON Electronics

Largest Supplier of Electrical and Electronic Components

Click to view similar products for [RF Connectors / Coaxial Connectors](#) category:

Click to view products by [TE Connectivity](#) manufacturer:

Other Similar products are found below :

[R125315120](#) [8915-1511-000](#) [89674-0827](#) [5916-1103-603](#) [0106-001-000](#) [6-0001-3](#) [6001-7071-019](#) [6002-7051-003](#) [6002-7551-202](#) [6059674-1](#) [619550-1](#) [630059-000](#) [M39012/25-0021](#) [M39012/79-3008](#) [M39030/3-01N](#) [M39030/3-03N](#) [M3933/25-36N](#) [6500-7071-046](#) [6501-1071-002](#) [M83723/72W2457N](#) [6769](#) [CX050L2AQ](#) [7002-1541-010](#) [7002-1572-002](#) [7003-1572-002](#) [7004-1512-000](#) [7009-1511-004](#) [7010-1511-000](#) [7029-1511-060](#) [7101-1541-010](#) [7101-1571-002](#) [7105-1521-002](#) [7145-1521-002](#) [7209-1511-011](#) [7210-1511-012](#) [7210-1511-015](#) [7210-1511-019](#) [7210-1511-040](#) [7225-1512-050](#) [7242-1511-000](#) [73137-5015](#) [73251-0111](#) [73251-0672](#) [73276-1501](#) [73366-0013](#) [73404-2300](#) [73413-6080](#) [73415-5721](#) [7405-1521-005](#) [7405-1521-802](#)