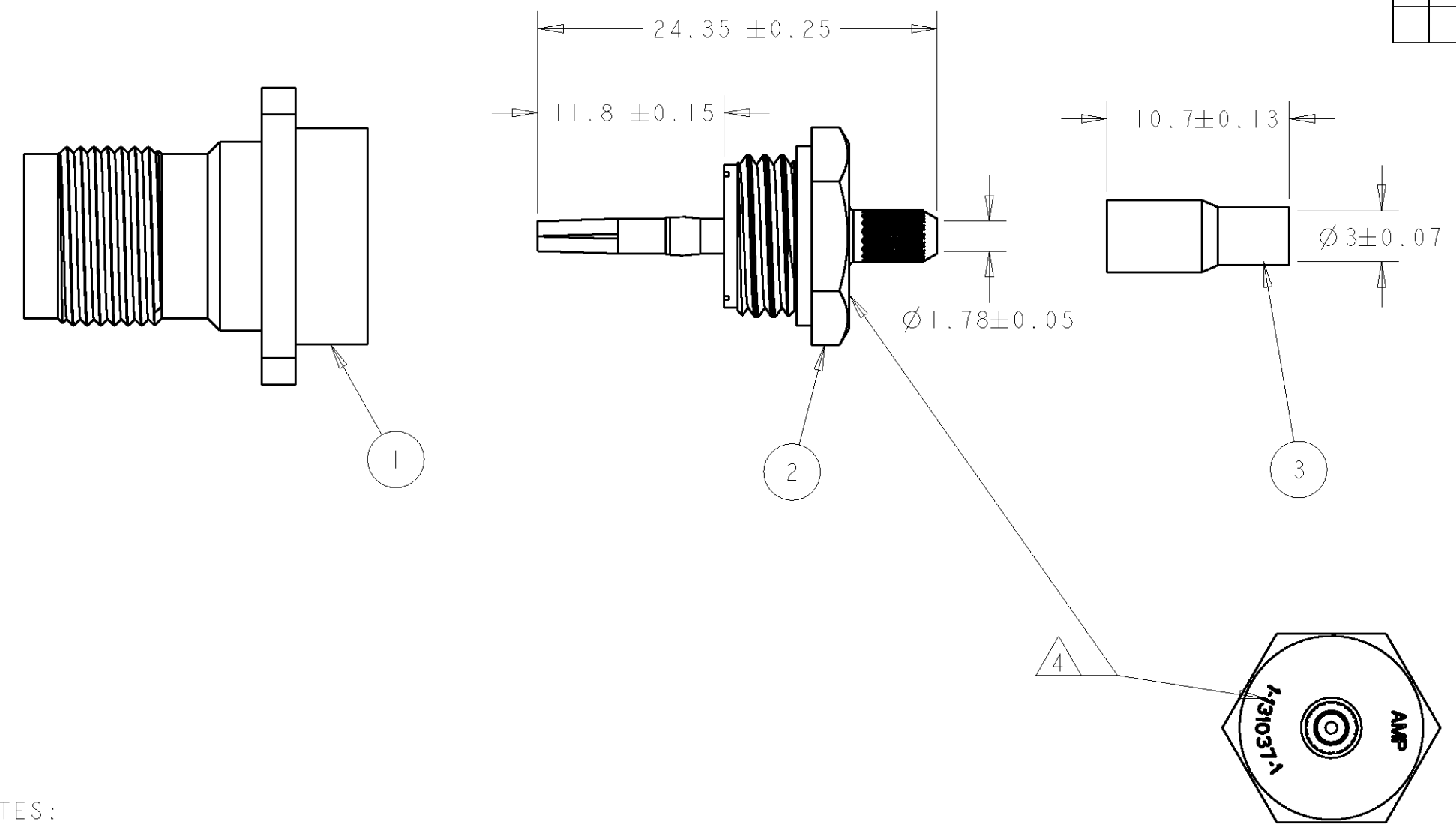
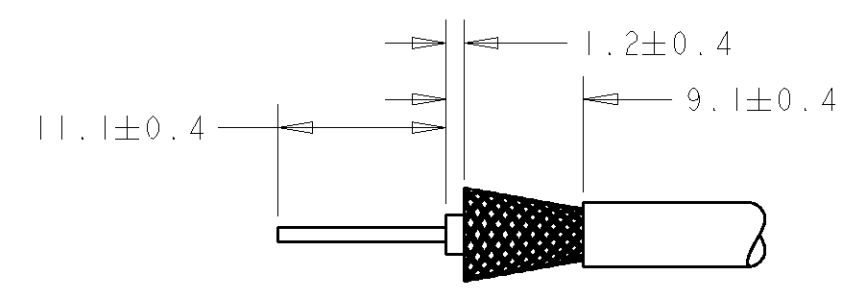


THIS DRAWING IS UNPUBLISHED. RELEASED FOR PUBLICATION 20
 © COPYRIGHT 20 BY TYCO ELECTRONICS CORPORATION. ALL RIGHTS RESERVED.

LOC	DIST	REVISIONS			
P	LTR	DESCRIPTION	DATE	DWN	APVD
B	E	A	FIRST ISSUE	18/06/08	MJG JA



RECOMMENDED CABLE PREPARATION
 DENUDAGE RECOMMANDE



NOTES:

- FOR USE WITH RG174, RG188, KX3 & KX22 CABLE
 UTILISER AVEC CABLE RG174, RG188, KX3, KX22
 - CRIMP WITH HAND TOOL Pt No 476408 OR 69710-1 + INSET 476410
 PINCE A SERTIR REF: 476408 ou 69710-1 + MATRICE 476410
 - INSTRUCTION SHEET 408-1799-1
 INSTRUCTION DE SERTISSAGE: 408-1799-1
- △ 4 PART NO FOR CONTACT SUB ASSEMBLY (1-131037-1)

	1	FERRULE	3
	1	CONTACT ASSY	2
	1	PANEL JACK ASSY	1
131197	QTY -1	DESCRIPTION	ITEM

<small>THIS DRAWING IS A CONTROLLED DOCUMENT FOR TYCO ELECTRONICS CORPORATION IT IS SUBJECT TO CHANGE AND THE CONTROLLING ENGINEERING ORGANIZATION SHOULD BE CONTACTED FOR THE LATEST REVISION.</small>		DWN M.GREENER 18JUN2008 CHK J.AMBROSE 18JUN2008 APVD J.AMBROSE 18JUN2008		Tyco Electronics UK Ltd. Bideford, North Devon, EX39 4HE	
DIMENSIONS: mm		TOLERANCES UNLESS OTHERWISE SPECIFIED: 0 PLC ±0.5 1 PLC ±0.5 2 PLC ±0.5 3 PLC ±0.5 4 PLC ±0.5 ANGLES ±0.5		NAME PANEL JACK ASSEMBLY TNC SERIES	
MATERIAL FINISH -		PRODUCT SPEC 108-12001		SIZE A300779	
CUSTOMER DRAWING		APPLICATION SPEC -		DRAWING NO C-131197	
WEIGHT -		RESTRICTED TO		SCALE NTS SHEET 1 OF 1 REV A	

X-ON Electronics

Largest Supplier of Electrical and Electronic Components

Click to view similar products for [RF Connectors / Coaxial Connectors](#) category:

Click to view products by [TE Connectivity](#) manufacturer:

Other Similar products are found below :

[R125315120](#) [8915-1511-000](#) [89674-0827](#) [5916-1103-603](#) [0106-001-000](#) [6-0001-3](#) [6001-7071-019](#) [6002-7051-003](#) [6002-7551-202](#) [6059674-1](#) [619550-1](#) [630059-000](#) [M39012/25-0021](#) [M39012/79-3008](#) [M39030/3-01N](#) [M39030/3-03N](#) [M3933/25-36N](#) [6500-7071-046](#) [6501-1071-002](#) [M83723/72W2457N](#) [6769](#) [CX050L2AQ](#) [7002-1541-010](#) [7002-1572-002](#) [7003-1572-002](#) [7004-1512-000](#) [7009-1511-004](#) [7010-1511-000](#) [7029-1511-060](#) [7101-1541-010](#) [7101-1571-002](#) [7105-1521-002](#) [7145-1521-002](#) [7209-1511-011](#) [7210-1511-012](#) [7210-1511-015](#) [7210-1511-019](#) [7210-1511-040](#) [7225-1512-050](#) [7242-1511-000](#) [73137-5015](#) [73251-0111](#) [73251-0672](#) [73276-1501](#) [73366-0013](#) [73404-2300](#) [73413-6080](#) [73415-5721](#) [7405-1521-005](#) [7405-1521-802](#)