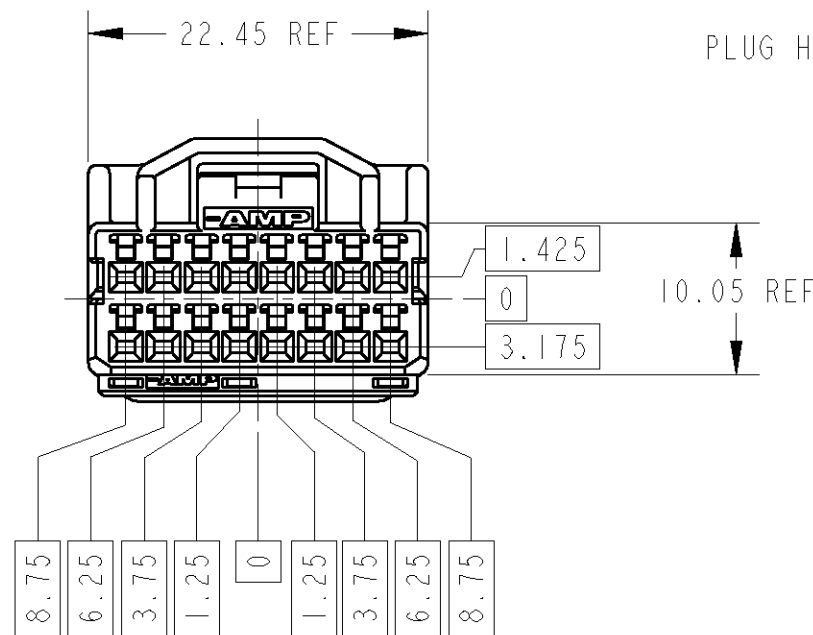
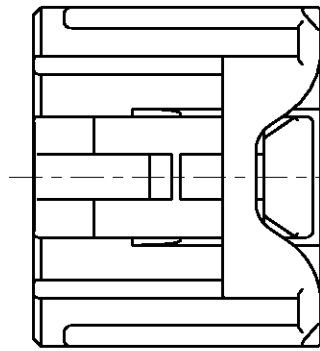
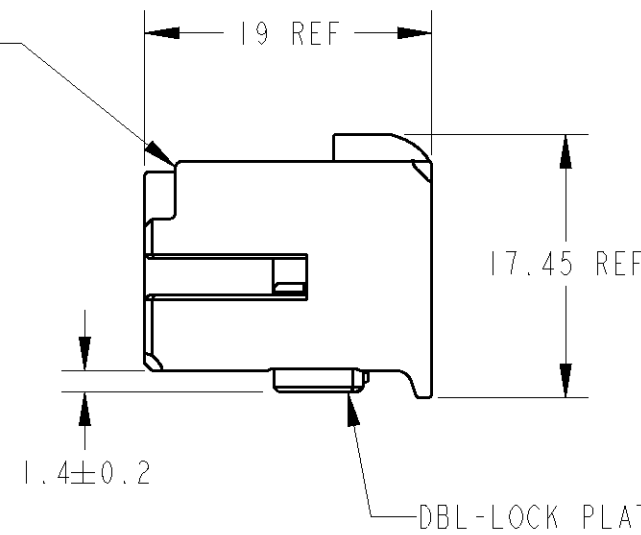


THIS DRAWING IS UNPUBLISHED. RELEASED FOR PUBLICATION 19  
 © COPYRIGHT 19 BY TYCO ELECTRONICS CORPORATION. ALL RIGHTS RESERVED.

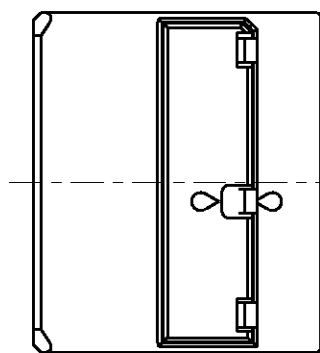
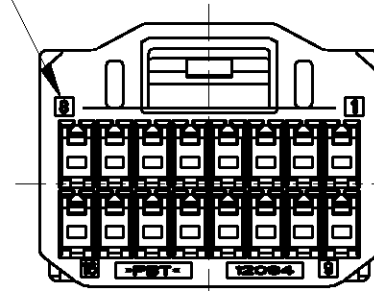
LOC	DIST	REVISIONS						
		P	LTR	DESCRIPTION	ECN	DATE	DWN	APVD
J			0	RELEASED	FJ00-1111-99	25JUN99	R.K	N.S
			A	REVISED	FJ00-0010-00	05JAN00	R.K	N.S
			B	REVISED	ECR-05-001029	28MAR05	R.K	K.S



PLUG HOUSING



CIRCUIT NUMBER



1. プラグハウジングにダブルロックプレートを仮止して出荷される
2. 仮係止時プレート突起がハウジングの外側に出ていること
3. プレートの仮係止保持力は、30N MIN
4. 取り扱い説明書NO.: 411-5763
5. 嵌合相手ハウジング型番: 1318219

1. PLATE SHOULD BE SET TO THE PRE-ASSEMBLY POSITION WITHIN THE PLUG HOUSING WHEN SHIPPED TO THE CUSTOMER.
2. THE RETENTION LATCH OF THE PLATE MUST BE OUT SIDE OF PLUG HOUSING WHEN PRE-ASSEMBLY.
3. PLATE RETENTION FORCE FROM HOUSING; 30N MIN.
4. INSTRUCTION SHEET No.: 411-5763
5. PART NUMBER OF CAP HOUSING TO BE MATED: 1318219

NATURAL	1318221-1
COLOR	PART NUMBER

THIS DRAWING IS A CONTROLLED DOCUMENT FOR TYCO ELECTRONICS CORPORATION. IT IS SUBJECT TO CHANGE AND THE CONTROLLING ENGINEERING ORGANIZATION SHOULD BE CONTACTED FOR THE LATEST REVISION.		DWN R. KOMIYAMA 25JUN99	Tyco Electronics AMP K.K. Kawasaki, Japan
DIMENSIONS: 単位: 概 mm		CHK S. SHINDO 25JUN99	
TOLERANCES UNLESS OTHERWISE SPECIFIED: 一般公差 = ± 0.3		APVD N. SAI 25JUN99	NAME 名称 040 III SERIES CONNECTOR 16P PLUG ASS'Y
0 PLC ± 1 PLC ±0.5 2 PLC ±0.13 3 PLC ±0.013 4 PLC ±0.000J ANGLES ±3'00"		PRODUCT SPEC 108-5529	SIZE A3
MATERIAL 材料 PBT		APPLICATION SPEC 114-5217	CAGE CODE 00779
FINISH 仕上 SEE TABLE		WEIGHT 3.8 g	DRAWING NO 番号 1318221
CUSTOMER DRAWING		SCALE 2:1	RESTRICTED TO
		SHEET 1 OF 1	REV B

## X-ON Electronics

Largest Supplier of Electrical and Electronic Components

*Click to view similar products for [Automotive Connectors](#) category:*

*Click to view products by [TE Connectivity](#) manufacturer:*

Other Similar products are found below :

[003-018-000](#) [600858](#) [60403001](#) [60993906-B](#) [60993913-B](#) [629515004020001](#) [M902-2131](#) [M902-2161](#) [M902-2344](#) [72.330.1035.1](#)  
[73.353.4028.0](#) [F118010](#) [F119300-B](#) [F132210](#) [F132210-B](#) [F166900](#) [F180100](#) [F258300](#) [F258300-B](#) [F294300-B](#) [F339100](#) [F339700](#) [F358300-](#)  
[B](#) [F374110](#) [F407400](#) [F412210](#) [F427600](#) [F444110](#) [F487000](#) [F495100-B](#) [F500900-B](#) [F509500B-B](#) [770444-1](#) [776880-1](#) [827153-1](#) [881735-1](#)  
[8N1515-32-24P](#) [9-1326727-8](#) [9-1326729-8](#) [925467-1](#) [925474-1](#) [928905-1](#) [936398-2](#) [964562-1](#) [964562-4](#) [964731-2](#) [965051-1](#) [968782-1](#)  
[GT17SA-8DS-HU](#) [GT17VS-10DP-5.2CF](#)