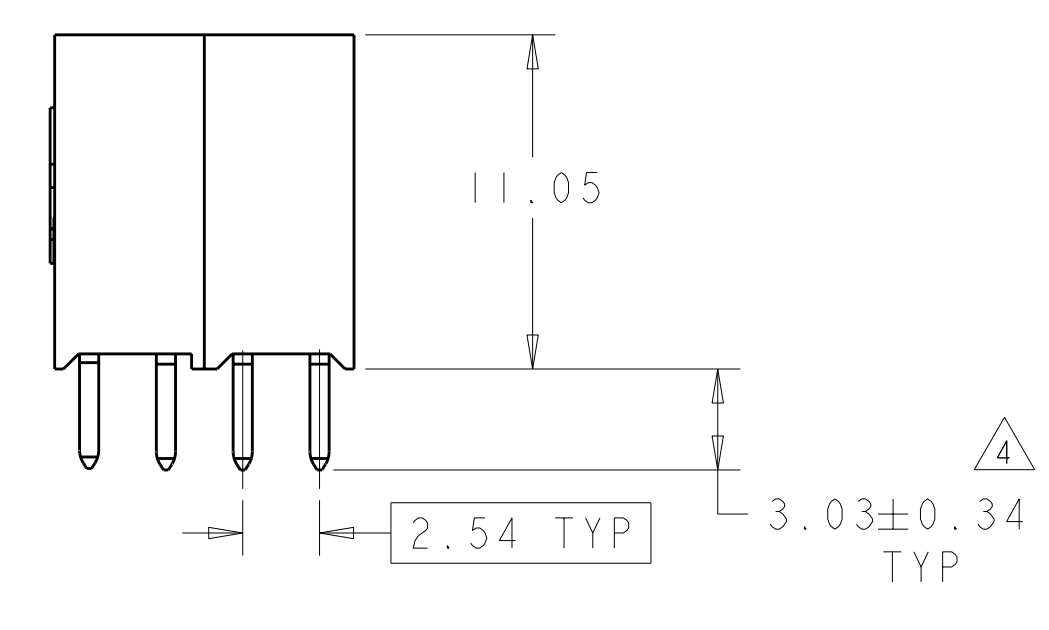
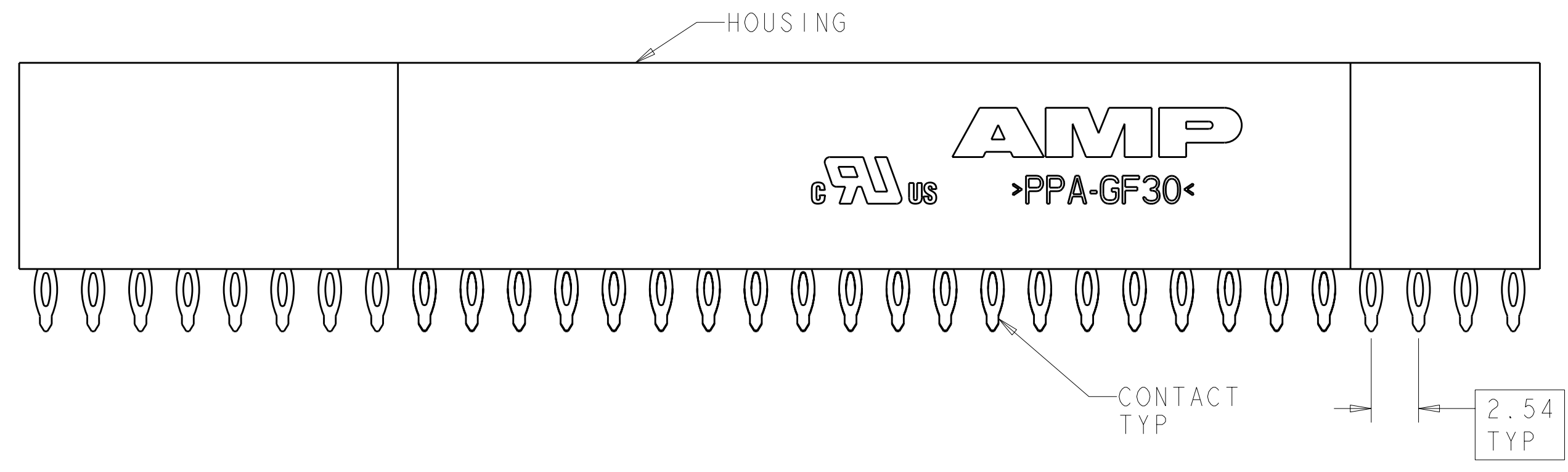
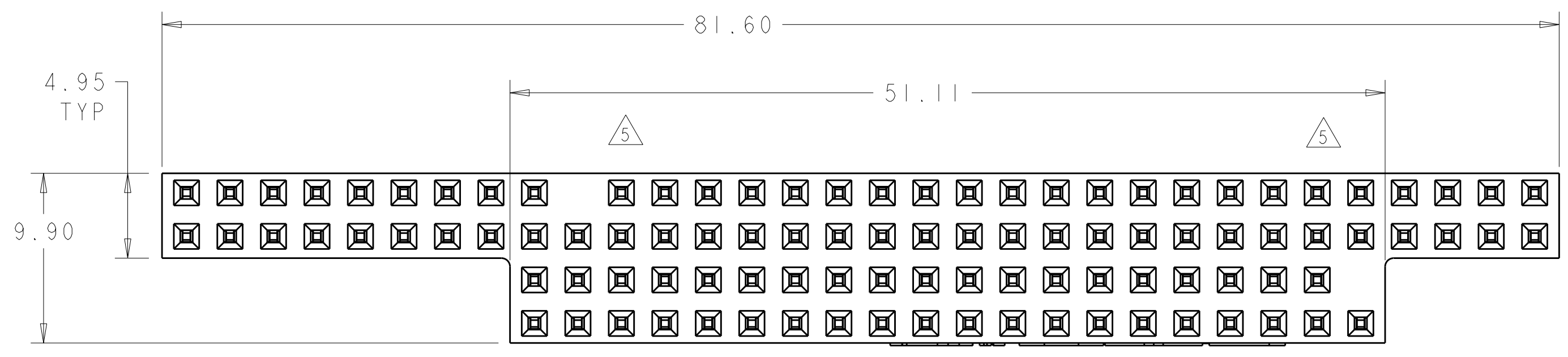
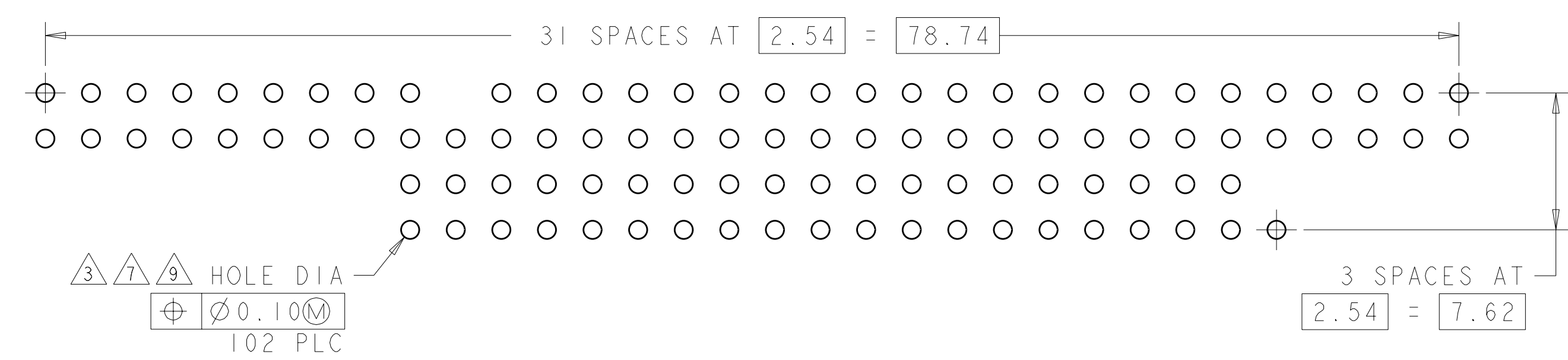


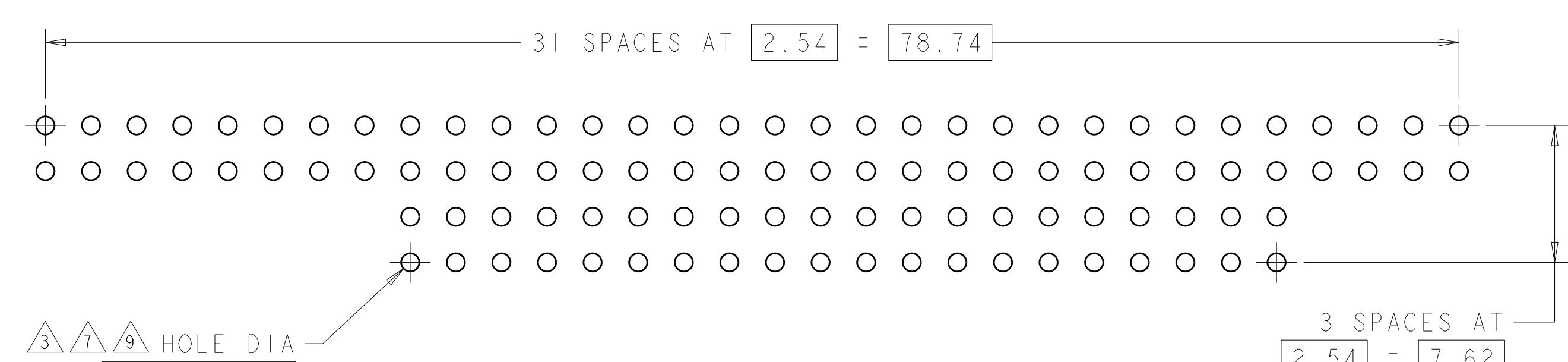
LOC	DIST	REVISIONS			
AD	00	REV	DATE	BY	APPD
		E1	REVIS PER ECO-11-005027	24MAR2011	RK HMR



- △ HOUSING: HIGH TEMPERATURE, GLASS FILLED NYLON, COLOR: BLACK.
CONTACTS: PHOSPHOR BRONZE.
- △ CONTACTS: 0.00038 MIN GOLD ON MATING RECEPTACLE END, 0.00254 BRIGHT TIN-LEAD ON REMAINDER, ALL OVER 0.00127 NICKEL.
- △ PCB HOLE RECOMMENDATIONS:
A. DRILL HOLE DIAMETER TO BE 1.15±0.02.
B. PLATING TO BE 0.005 MIN TIN-LEAD OVER 0.025-0.075 COPPER.
C. RECOMMENDED FINISH HOLE SIZE IS 1.03±0.08.
- △ DIMENSION AFTER SEATING TO PCB.
- △ NO CONTACT IN THIS POSITION, FOR PART NUMBER 1375796-1 & -3, ONLY
- △ CONTACTS: 0.00038 MIN GOLD ON MATING RECEPTACLE END, 0.00254-0.00508 MATTE TIN ON REMAINDER, ALL OVER 0.00127 NICKEL.
- △ PCB HOLE RECOMMENDATIONS FOR SILVER IMMERSION PLATING:
A. DRILL HOLE DIAMETER TO BE 1.20±0.02.
B. PLATING TO BE 0.0001524-0.0004064 SILVER OVER 0.0508±0.0254 COPPER.
C. RECOMMENDED FINISH HOLE SIZE IS 1.10-1.19.
- △ TO BE USED ON SILVER IMMERSION PLATED PCB'S (NOTE 7).
- △ PCB HOLE RECOMMENDATIONS FOR ENIG PLATING:
A. DRILL HOLE DIAMETER TO BE 1.20±0.02.
B. PLATING TO BE 0.000051-0.000127 GOLD OVER 0.00305-0.00610 NICKEL ALL OVER 0.0508±0.0254 COPPER.
C. RECOMMENDED FINISH HOLE SIZE IS 1.10-1.19.
- △ TO BE USED ON STANDARD PCB (NOTE 3) OR ENIG PLATED PCB (NOTE 9).



RECOMMENDED PCB LAYOUT FOR 1375796-1 & -3



RECOMMENDED PCB LAYOUT FOR 1375796-2 & -4

REV	DESCRIPTION	DATE	BY	APPD
8				
8				
10				
10				

THIS DRAWING IS A CONTROLLED DOCUMENT.		DWG: W.G. LENKER 02JUN2000		REV: L. BREKOSKY 15JAN2001		APVD: J. OLSON 13JUN2001		NAME: ASSEMBLY, PC/104, NON-STACKTHROUGH CONTACTS, PRESS FIT	
DIMENSIONS: mm		TOLERANCES UNLESS OTHERWISE SPECIFIED:		PRODUCT SPEC: 108-1956		APPLICATION SPEC: 114-13021		WEIGHT: -	
MATERIAL: 1		FINISH: 6/2		CUSTOMER DRAWING		SCALE: 4:1		SHEET 1 OF 1	

X-ON Electronics

Largest Supplier of Electrical and Electronic Components

Click to view similar products for [PC / 104 Connectors](#) category:

Click to view products by [TE Connectivity](#) manufacturer:

Other Similar products are found below :

[ESQ-105-33-G-S-LL](#) [1375965-1](#) [ESW-103-33-G-D](#) [ESQ-110-38-G-S](#) [ESQ-107-33-G-D](#) [ESQ-103-24-T-D](#) [ESQ-102-24-T-D](#) [1445441-1](#)
[M20-6162005](#) [4P01-2D02-DA](#) [4P02-2A02-DA](#) [10153301-32111LF](#) [10153301-20111LF](#) [10153301-20211LF](#) [10153301-32211LF](#) [10153302-32111LF](#) [10153302-20111LF](#) [10153302-20211LF](#) [10153302-32211LF](#) [10153303-30111LF](#) [10153304-30211LF](#) [10153305-30211LF](#) [ESQ-104-23-T-D](#) [M20-6102045](#) [M20-6103245](#) [M20-6112045](#) [M20-6152005](#) [M20-6153205](#) [M20-6163205](#) [M22-6023042](#) [M22-6033042](#) [M22-6043098](#) [M20-6113245](#) [1375791-1](#) [1375791-2](#) [1375794-1](#) [1375796-2](#) [RM322-0802012900](#) [ESQ-103-23-T-S](#) [ESQ-105-23-G-S](#) [ESQ-106-23-G-S-LL](#) [ESQ-106-34-G-D](#) [ESQ-107-14-T-D](#) [ESQ-107-23-G-D](#) [ESQ-110-12-G-T](#) [ESQ-110-34-G-S](#) [ESQ-111-23-G-D](#) [ESQ-112-12-S-D](#)
[ESQ-116-14-G-D](#) [ESQ-116-14-T-D](#)