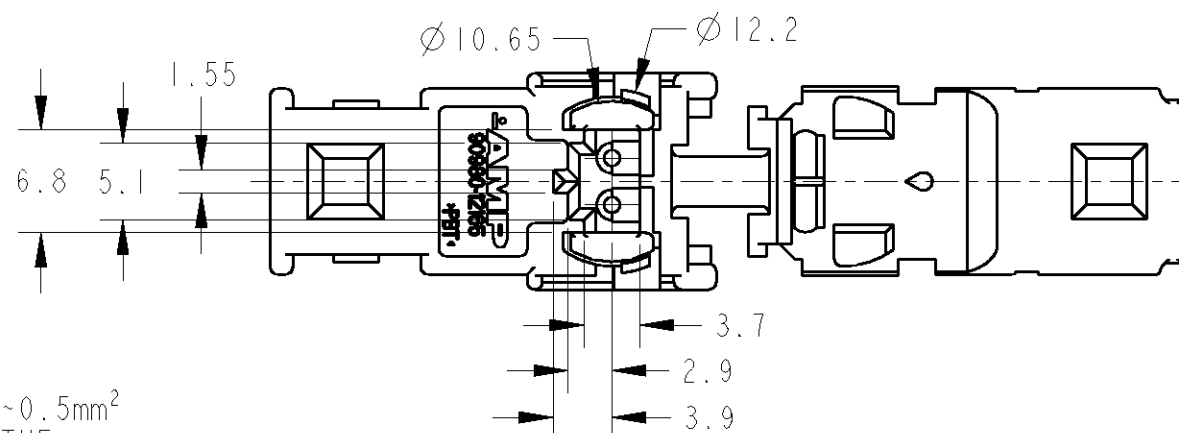
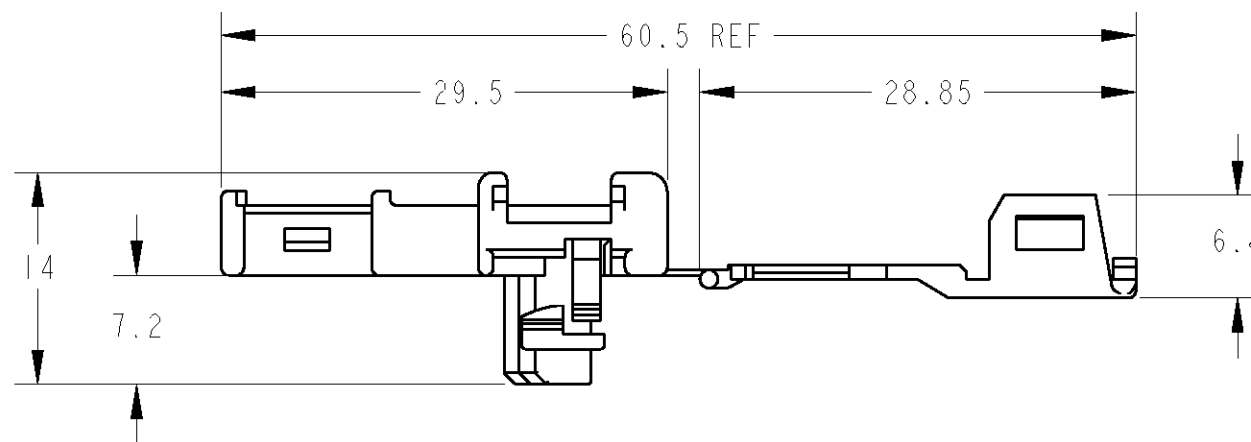
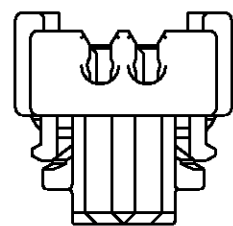
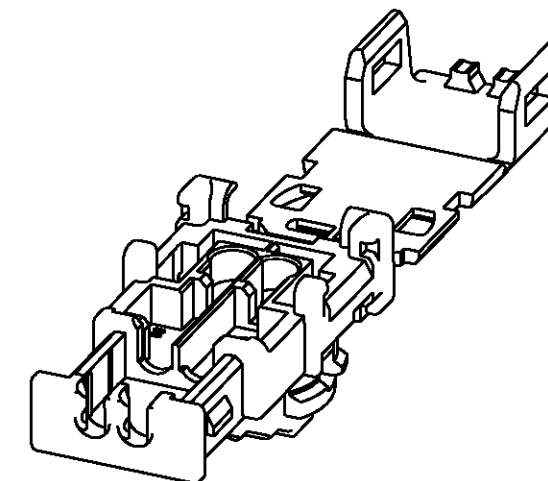
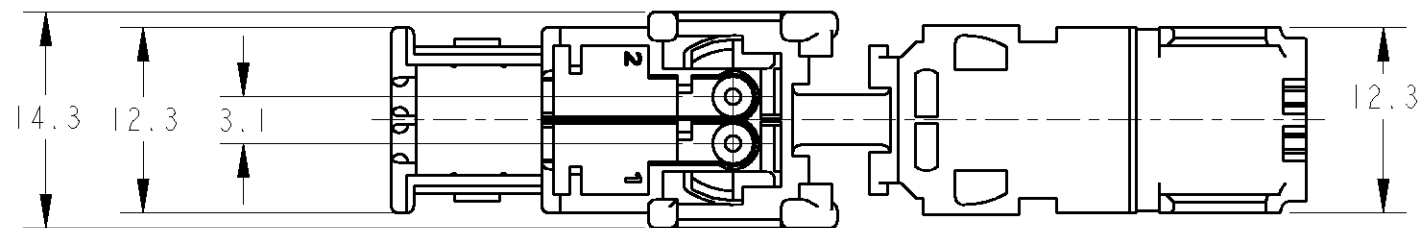


THIS DRAWING IS UNPUBLISHED. RELEASED FOR PUBLICATION 20
 © COPYRIGHT 20 BY TYCO ELECTRONICS CORPORATION. ALL RIGHTS RESERVED.

LOC	DIST	REVISIONS					
J	-	P	LTR	DESCRIPTION	DATE	DWN	APVD
			CI	REVISED ECR-08-009099	10APR2008	T.Y	Y.F



- 1. APPLICABLE WIRE RANGE; AVSS, CAVS 0.3~0.5mm²
- 2. THIS PRODUCT MUST BE SUPPLIED WITH THE SQUIB CONN. IIDIA LOCKING BUTTON (P/N 1376031)
- 3. INSTRUCTION SHEET; 411-5945

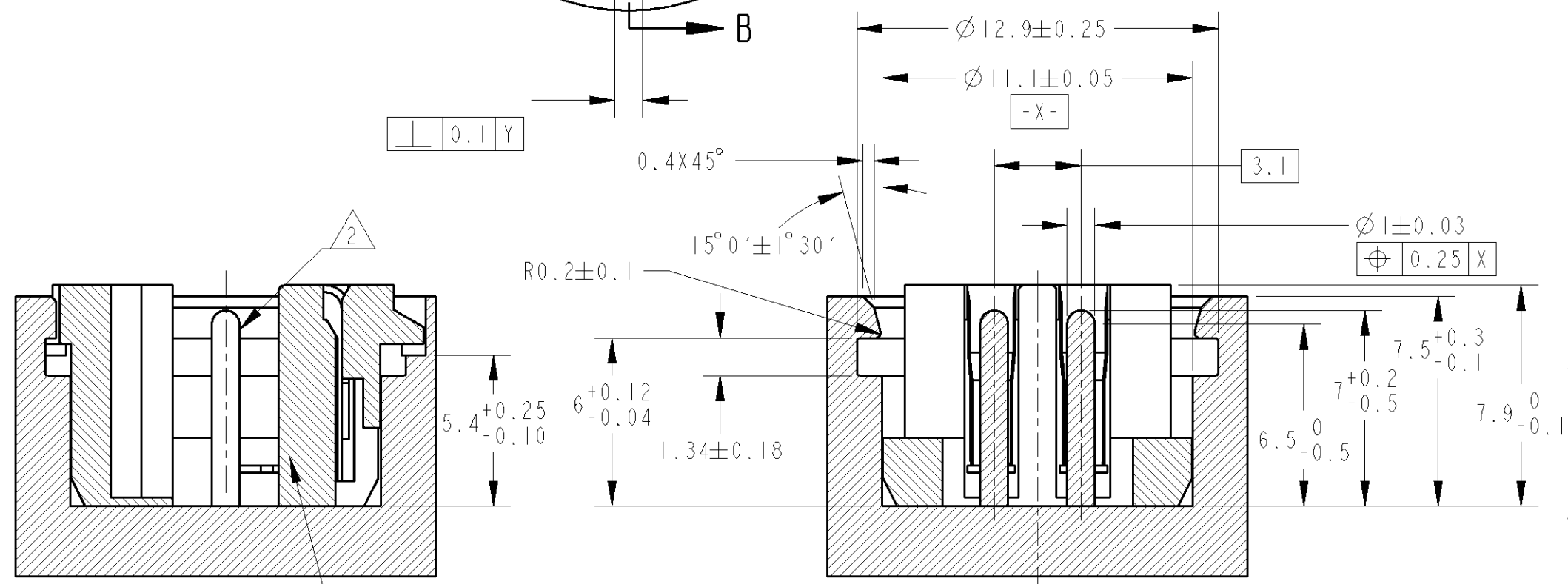
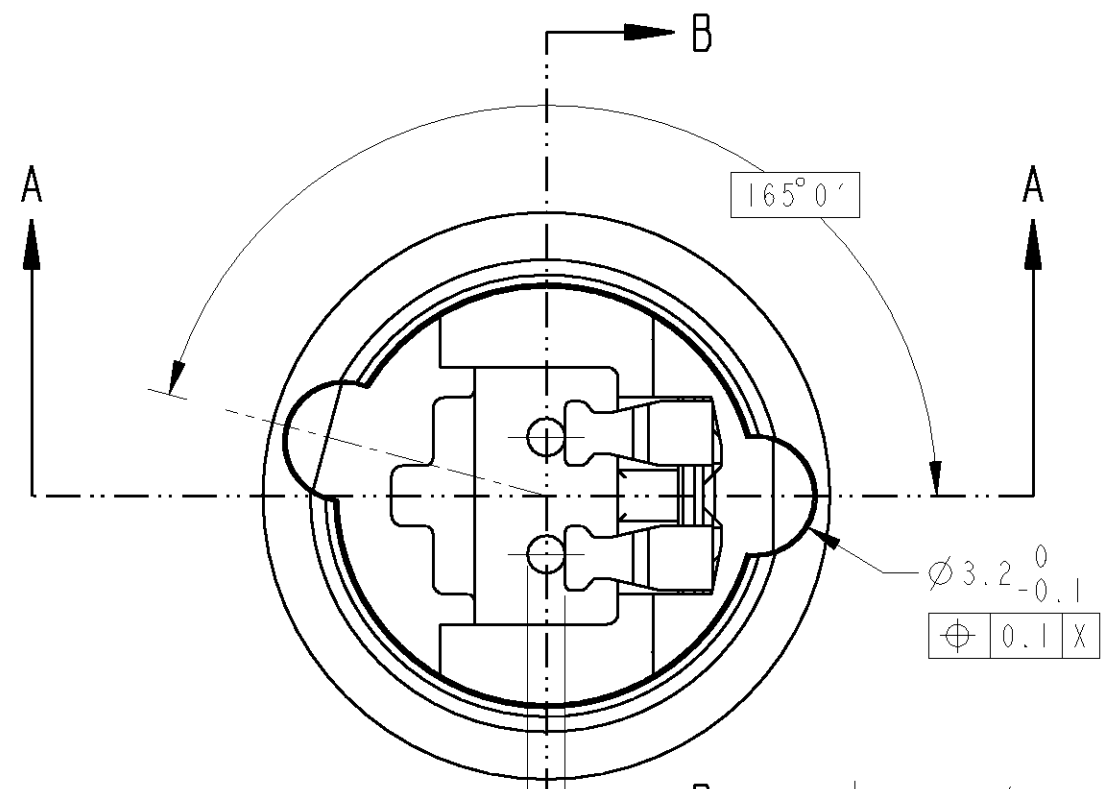
- 1. 適用電線; AVSS, CAVS 0.3~0.5mm²
- 2. 本品はSQUIB CONN. IIDIA LOCKING BUTTON (P/N 1376031)を装着して使用する。
- 3. 取扱説明書; 411-5945

YELLOW	1376030-1
COLOR	PART NUMBER

<small>THIS DRAWING IS A CONTROLLED DOCUMENT FOR TYCO ELECTRONICS CORPORATION. IT IS SUBJECT TO CHANGE AND THE CONTROLLING ENGINEERING ORGANIZATION SHOULD BE CONTACTED FOR THE LATEST REVISION.</small>		DWN T. KOHNO 30-Nov-99 CHK N. SAI 30-Nov-99 APVD K. SHIMIZU 30-Nov-99		Tyco Electronics AMP K.K. Kawasaki, Japan	
DIMENSIONS: 単位: 概 mm 		TOLERANCES UNLESS OTHERWISE SPECIFIED: 一般公差 ±0.3 0-PLC ±0.2 1-PLC ±0.1 2-PLC ±0.01 3-PLC ±0.001 4-PLC ±0.0001 ANGLES ±3°		NAME 名称 SQUIB CONN. IIDIA PLUG HOUSING	
MATERIAL 材料 PBT FINISH 仕上 YELLOW		PRODUCT SPEC 108-5679 APPLICATION SPEC 114-5234 WEIGHT 2.1g		SIZE A3 CAGE CODE 00779 DRAWING NO 1376030 RESTRICTED TO -	
CUSTOMER DRAWING				SCALE 2:1 SHEET 1 OF 2 REV CI	

THIS DRAWING IS UNPUBLISHED. RELEASED FOR PUBLICATION 20
 © COPYRIGHT 20 BY TYCO ELECTRONICS CORPORATION. ALL RIGHTS RESERVED.

LOC	DIST	REVISIONS					
		P	LTR	DESCRIPTION	DATE	DWN	APVD
J	-	-	-	SEE SHEET 1	-	-	-



- 1. 本形状は装着相手側寸法を示す
 - 2. めっき仕様; Ni下地2μm以上, Au0.5μm以上
 - 3. 本形状はVDA規格REV.C('98 12/1)に準じている
 - 4. 使用されるショートサーキットリングはVDA規格で推奨されたAMP製 P/N699638とする
- 1. THIS DRAWING IS MATING HOLDER DIMENSION
 - 2. MIN 0.5μm Au UNDER MIN 2 μm Ni
 - 3. THIS DRAWING IS BASED ON VDA SPECIFICATION REV.C (IDEC98)
 - 4. SHORT-CIRCUIT RING MUST BE USED BY AMP PRODUCT (P/N 699638)

断面 A-A
 SHORT-CIRCUIT RING
 ショートサーキットリング

断面 B-B

THIS DRAWING IS A CONTROLLED DOCUMENT FOR TYCO ELECTRONICS CORPORATION IT IS SUBJECT TO CHANGE AND THE CONTROLLING ENGINEERING ORGANIZATION SHOULD BE CONTACTED FOR THE LATEST REVISION.		DWN T.KOHNO 30-Nov-99 CHK N.SAI 30-Nov-99 APVD K.SHIMIZU 30-Nov-99		Tyco Electronics Tyco Electronics AMP K.K. Kawasaki, Japan	
DIMENSIONS: 単位: 概 mm		TOLERANCES UNLESS OTHERWISE SPECIFIED: 一般公差 0 PLC ±- 1 PLC ±0.1 2 PLC ±0.01 3 PLC ±0.001 4 PLC ±0.0001 ANGLES ±-		NAME 名称 SQUIB CONN. IIDIA HOLDER DIMENSION	
MATERIAL 材料 -		FINISH 仕上 2		PRODUCT SPEC 製品規格 APPLICATION SPEC 取付適用規格 WEIGHT	
		CUSTOMER DRAWING		SIZE A3 CAGE CODE 00779 DRAWING NO 1376030 RESTRICTED TO - SCALE 1:1 SHEET 2 OF 2 REV C1	

X-ON Electronics

Largest Supplier of Electrical and Electronic Components

Click to view similar products for [Automotive Connectors](#) category:

Click to view products by [TE Connectivity](#) manufacturer:

Other Similar products are found below :

[003-018-000](#) [600858](#) [60403001](#) [60993906-B](#) [60993913-B](#) [629515004020001](#) [M902-2131](#) [M902-2161](#) [M902-2344](#) [72.330.1035.1](#)
[73.353.4028.0](#) [F118010](#) [F119300-B](#) [F132210](#) [F132210-B](#) [F166900](#) [F180100](#) [F258300](#) [F258300-B](#) [F294300-B](#) [F339100](#) [F339700](#) [F358300-](#)
[B](#) [F374110](#) [F407400](#) [F412210](#) [F427600](#) [F444110](#) [F487000](#) [F495100-B](#) [F500900-B](#) [F509500B-B](#) [770444-1](#) [776880-1](#) [827153-1](#) [881735-1](#)
[8N1515-32-24P](#) [9-1326727-8](#) [9-1326729-8](#) [925467-1](#) [925474-1](#) [928905-1](#) [936398-2](#) [964562-1](#) [964562-4](#) [964731-2](#) [965051-1](#) [968782-1](#)
[GT17SA-8DS-HU](#) [GT17VS-10DP-5.2CF](#)