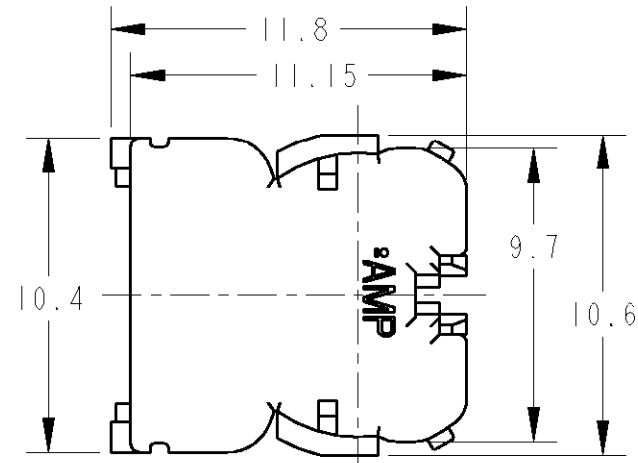
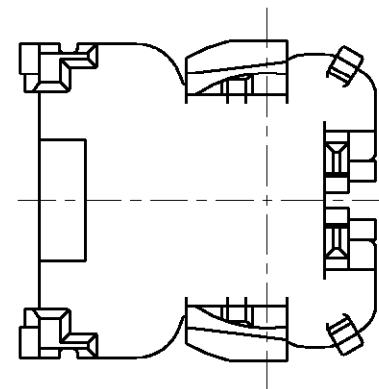
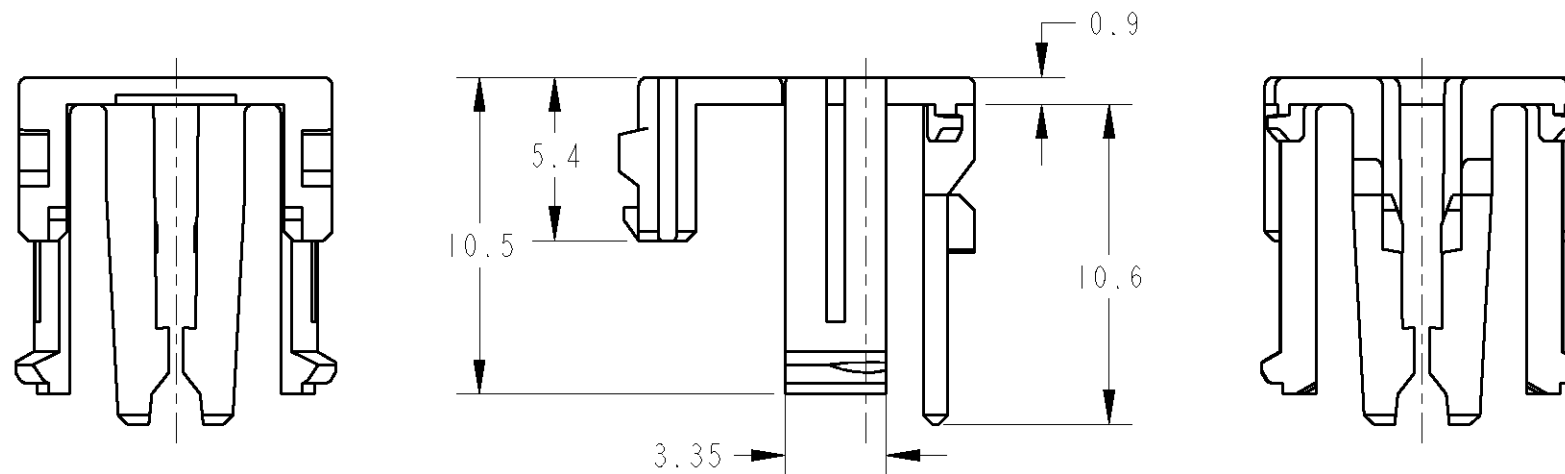


THIS DRAWING IS UNPUBLISHED. RELEASED FOR PUBLICATION 2000  
 © COPYRIGHT 2000 BY TYCO ELECTRONICS CORPORATION. ALL RIGHTS RESERVED.

LOC	DIST	REVISIONS						
J	-	P	LTR	DESCRIPTION	ECN	DATE	DWN	APVD
			0	RELEASED	FJ00-1865-00	30NOV2000	T.H	N.S



- I : AS SHOWN  
 - I : 本図



1. THIS PRODUCT SHOULD BE USED WITH THE IIDIA SQUIB CONNECTOR SLIM TYPE PLUG HOUSING(P/N:1376688).
  2. INSTRUCTION SHEET:411-5973.
1. 本製品は、IIDIA SQUIB CONNECTOR SLIM TYPE PLUG HOUSING (P/N:1376688)を装着して使用する。
  2. 取扱説明書:411-5973

<small>THIS DRAWING IS A CONTROLLED DOCUMENT FOR TYCO ELECTRONICS CORPORATION          IT IS SUBJECT TO CHANGE AND THE CONTROLLING ENGINEERING ORGANIZATION          SHOULD BE CONTACTED FOR THE LATEST REVISION.</small>		DWN	30NOV2000		Tyco Electronics AMP K.K. Kawasaki, Japan						
DIMENSIONS: 単位: 概 mm		CHK	30NOV2000								
		APVD	30NOV2000								
TOLERANCES UNLESS OTHERWISE SPECIFIED: $\pm 0.2$		PRODUCT SPEC	108-5679		NAME	IIDIA SQUIB CONNECTOR SLIM TYPE LOCKING BUTTON					
0 PLC $\pm$ 1 PLC $\pm 0.1$ 2 PLC $\pm 0.01$ 3 PLC $\pm 0.001$ 4 PLC $\pm 0.0001$ ANGLES $\pm 1'00''$		APPLICATION SPEC	-		SIZE		A3				
MATERIAL	PBTG30	FINISH	BLACK	WEIGHT	0.2g	CAGE CODE		00779	DRAWING NO	C=1376689	RESTRICTED TO
CUSTOMER DRAWING				SCALE	4:1	SHEET	1	OF	1	REV	0

## X-ON Electronics

Largest Supplier of Electrical and Electronic Components

*Click to view similar products for [Automotive Connectors](#) category:*

*Click to view products by [TE Connectivity](#) manufacturer:*

Other Similar products are found below :

[003-018-000](#) [600858](#) [60403001](#) [60993906-B](#) [60993913-B](#) [629515004020001](#) [M902-2131](#) [M902-2161](#) [M902-2344](#) [72.330.1035.1](#)  
[73.353.4028.0](#) [F118010](#) [F119300-B](#) [F132210](#) [F132210-B](#) [F166900](#) [F180100](#) [F258300](#) [F258300-B](#) [F294300-B](#) [F339100](#) [F339700](#) [F358300-](#)  
[B](#) [F374110](#) [F407400](#) [F412210](#) [F427600](#) [F444110](#) [F487000](#) [F495100-B](#) [F500900-B](#) [F509500B-B](#) [770444-1](#) [776880-1](#) [827153-1](#) [881735-1](#)  
[8N1515-32-24P](#) [9-1326727-8](#) [9-1326729-8](#) [925467-1](#) [925474-1](#) [928905-1](#) [936398-2](#) [964562-1](#) [964562-4](#) [964731-2](#) [965051-1](#) [968782-1](#)  
[GT17SA-8DS-HU](#) [GT17VS-10DP-5.2CF](#)