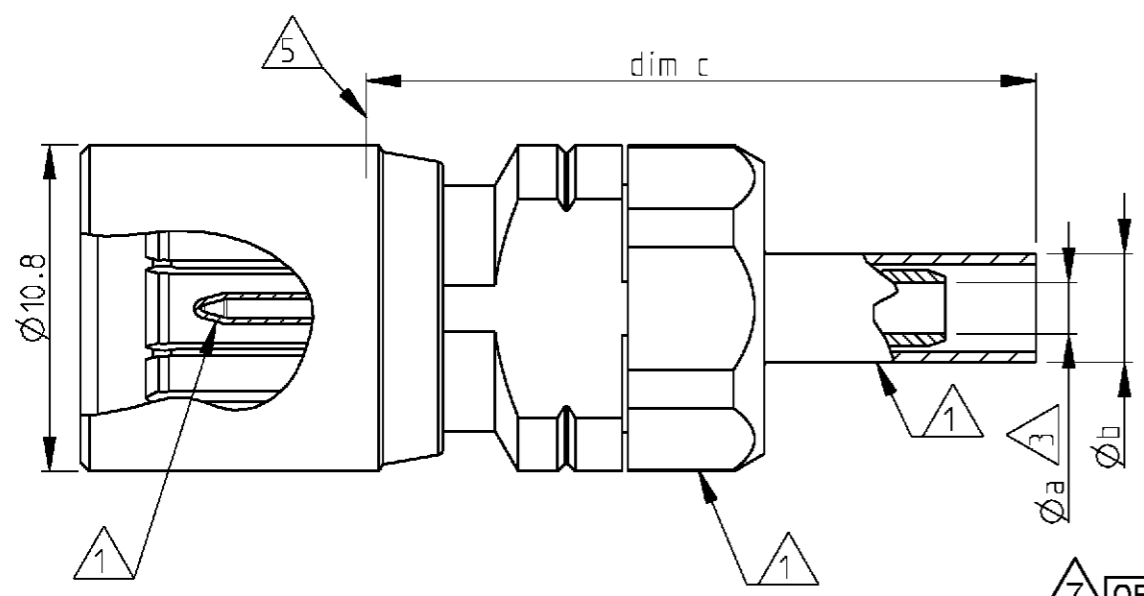


THIS DRAWING IS UNPUBLISHED. RELEASED FOR PUBLICATION 2000
 © COPYRIGHT 2000 BY TYCO ELECTRONICS CORPORATION. ALL RIGHTS RESERVED.

LOC	DIST	REVISIONS				
P	LTR	DESCRIPTION	DATE	DWN	APVD	
GW	-	A	-	05APR2001	BL	KM
		A1	REV PER ECO-09-026495	30NOV09	KK	AEG



Cross reference table

Old part number	Tyco part number	Description	Material	Plating	Øa	Øb	dim c	Cable type
V23612-A102-A45	1393680-3	Outer conductor	Brass	1 µm Au min in contact area	2.55	6.2	26.2	02YCCY 0.4/2.5 LYC(mS)CY 0.4/2.5
		Center conductor	CuBe/Brass	1 µm Au min in contact area				
		Dielectric	PTFE/PEEK	-				
V23612-A102-A46	1393680-4	Outer conductor	Brass	1 µm Au min in contact area	2.9	7.93	29.2	2YC(mS)CY 0.5/3.0
		Center conductor	CuBe/Brass	1 µm Au min in contact area				
		Dielectric	PTFE/PEEK	-				
V23612-A102-A49	1393680-5	Outer conductor	Brass	1 µm Au min in contact area	4.3	7.93	29.2	2YCY 0.7/4.4
		Center conductor	CuBe/Brass	1 µm Au min in contact area				
		Dielectric	PTFE/PEEK	-				
V23612-A102-A76	1393680-9	Outer conductor	Brass	1 µm Au min in contact area	2.15	5.2	26.2	02Y(st) CY 0.45/2.0
		Center conductor	CuBe/Brass	1 µm Au min in contact area				
		Dielectric	PTFE/PEEK	-				
V23612-A102-A76A	1-1393680-0	Outer conductor	Brass	1 µm Au min in contact area	2.15	5.2	26.2	02Y(st) CY 0.45/2.0
		Center conductor	CuBe/Brass	1 µm Au min in contact area				
		Dielectric	PTFE/PEEK	-				
V23612-E102-A76	1393680-5	Outer conductor	Brass	1 µm Au min in contact area	2.15	5.2	26.2	02Y(st) CY 0.45/2.0
		Center conductor	CuBe/Brass	1 µm Au min in contact area				
		Dielectric	PTFE/PEEK	-				

7 OBSOLETE

7 OBSOLETE

7 OBSOLETE

7 OBSOLETE PARTS: OBSOLETE CIS STREAMLINING PER D.RENAUD/D.SINISI

6 Packed in tray

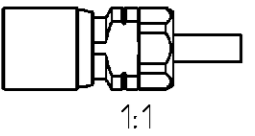
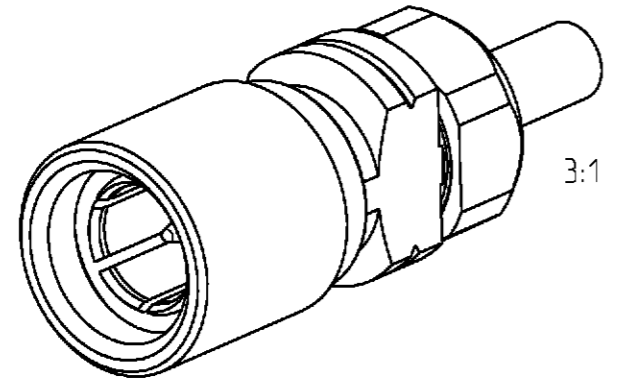
5 Reference plane.

4) Mating face according to DIN 47295/CECC 22240.

3 Minimum dimension.

2) All dimensions are maximum unless otherwise specified.

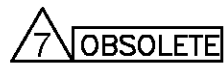
1 Supplied as loose part.


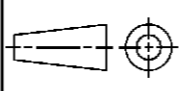


THIS DRAWING IS A CONTROLLED DOCUMENT FOR TYCO ELECTRONICS CORPORATION IT IS SUBJECT TO CHANGE AND THE CONTROLLING ENGINEERING ORGANIZATION SHOULD BE CONTACTED FOR THE LATEST REVISION.		DWN B. Lenvain 27FEB2001 CHK K. Mattheeuws 5APR2001 APVD R. Leeman 5APR2001		tyco Electronics Tyco Electronics Oostkamp - Belgium	
DIMENSIONS: mm 		TOLERANCES UNLESS OTHERWISE SPECIFIED: 0 PLC ± 1 PLC ± 2 PLC ± 3 PLC ± 4 PLC ± ANGLES ±		NAME Cable plug 1.6/5.6 75 OHM	
MATERIAL -		FINISH -		PRODUCT SPEC - APPLICATION SPEC 114-71019 WEIGHT -	
CUSTOMER DRAWING		SCALE 5/1		SHEET 1 OF 2 REV A1	

THIS DRAWING IS UNPUBLISHED. RELEASED FOR PUBLICATION 2000
 © COPYRIGHT 2000 BY TYCO ELECTRONICS CORPORATION. ALL RIGHTS RESERVED.

LOC	DIST	REVISIONS				
P	LTR	DESCRIPTION	DATE	DWN	APVD	
	-	SEE SHEET 1	-	-	-	

Cross reference table								
Old part number	Tyco part number	Description	Material	Plating	Øa	Øb	dim c	Cable type
 V23612-A102-A24	1393680-1	Outer conductor	Brass	1 µm Au min in contact area	2.15	5.2	26.2	R1-T1 2.0 LI 75k
		Center conductor	CuBe/Brass	1 µm Au min in contact area				
		Dielectric	PTFE/PEEK	-				
V23612-A102-A41	1393680-2	Outer conductor	Brass	1 µm Au min in contact area	1.7	3.6	26.2	RG 179 B/U
		Center conductor	CuBe/Brass	1 µm Au min in contact area				
		Dielectric	PTFE/PEEK	-				

<small>THIS DRAWING IS A CONTROLLED DOCUMENT FOR TYCO ELECTRONICS CORPORATION. IT IS SUBJECT TO CHANGE AND THE CONTROLLING ENGINEERING ORGANIZATION SHOULD BE CONTACTED FOR THE LATEST REVISION.</small>		DWN B. Lenvain	27FEB2001	 Tyco Electronics Oostkamp - Belgium
DIMENSIONS: mm		CHK K. Mattheeuws	5APR2001	
		APVD R. Leeman	5APR2001	
TOLERANCES UNLESS OTHERWISE SPECIFIED:		PRODUCT SPEC		NAME Cable plug
0 PLC ± 1 PLC ±0.5 2 PLC ±0.13 3 PLC ±0.013 4 PLC ±0.0001 ANGLES ±		APPLICATION SPEC		1.6/5.6 75 Ohm
MATERIAL -		WEIGHT -		SIZE A3
FINISH -		SCALE 5/1		CAGE CODE 00779
		DRAWING NO G-1393680-2		RESTRICTED TO -
		SHEET 2 OF 2		REV A1

X-ON Electronics

Largest Supplier of Electrical and Electronic Components

Click to view similar products for [RF Connectors](#) / [Coaxial Connectors](#) category:

Click to view products by [TE Connectivity](#) manufacturer:

Other Similar products are found below :

[R125315120](#) [8915-1511-000](#) [89674-0827](#) [5916-1103-603](#) [0106-001-000](#) [6-0001-3](#) [6001-7071-019](#) [6002-7051-003](#) [6002-7551-202](#) [6059674-1](#) [619550-1](#) [630059-000](#) [M39012/25-0021](#) [M39012/79-3008](#) [M39030/3-01N](#) [M39030/3-03N](#) [M3933/25-36N](#) [6500-7071-046](#) [6501-1071-002](#) [M83723/72W2457N](#) [6769](#) [CX050L2AQ](#) [7002-1541-010](#) [7002-1572-002](#) [7003-1572-002](#) [7004-1512-000](#) [7009-1511-004](#) [7010-1511-000](#) [7029-1511-060](#) [7101-1541-010](#) [7101-1571-002](#) [7105-1521-002](#) [7145-1521-002](#) [7209-1511-011](#) [7210-1511-012](#) [7210-1511-015](#) [7210-1511-019](#) [7210-1511-040](#) [7225-1512-050](#) [7242-1511-000](#) [73137-5015](#) [73251-0111](#) [73251-0672](#) [73276-1501](#) [73366-0013](#) [73404-2300](#) [73413-6080](#) [73415-5721](#) [7405-1521-005](#) [7405-1521-802](#)