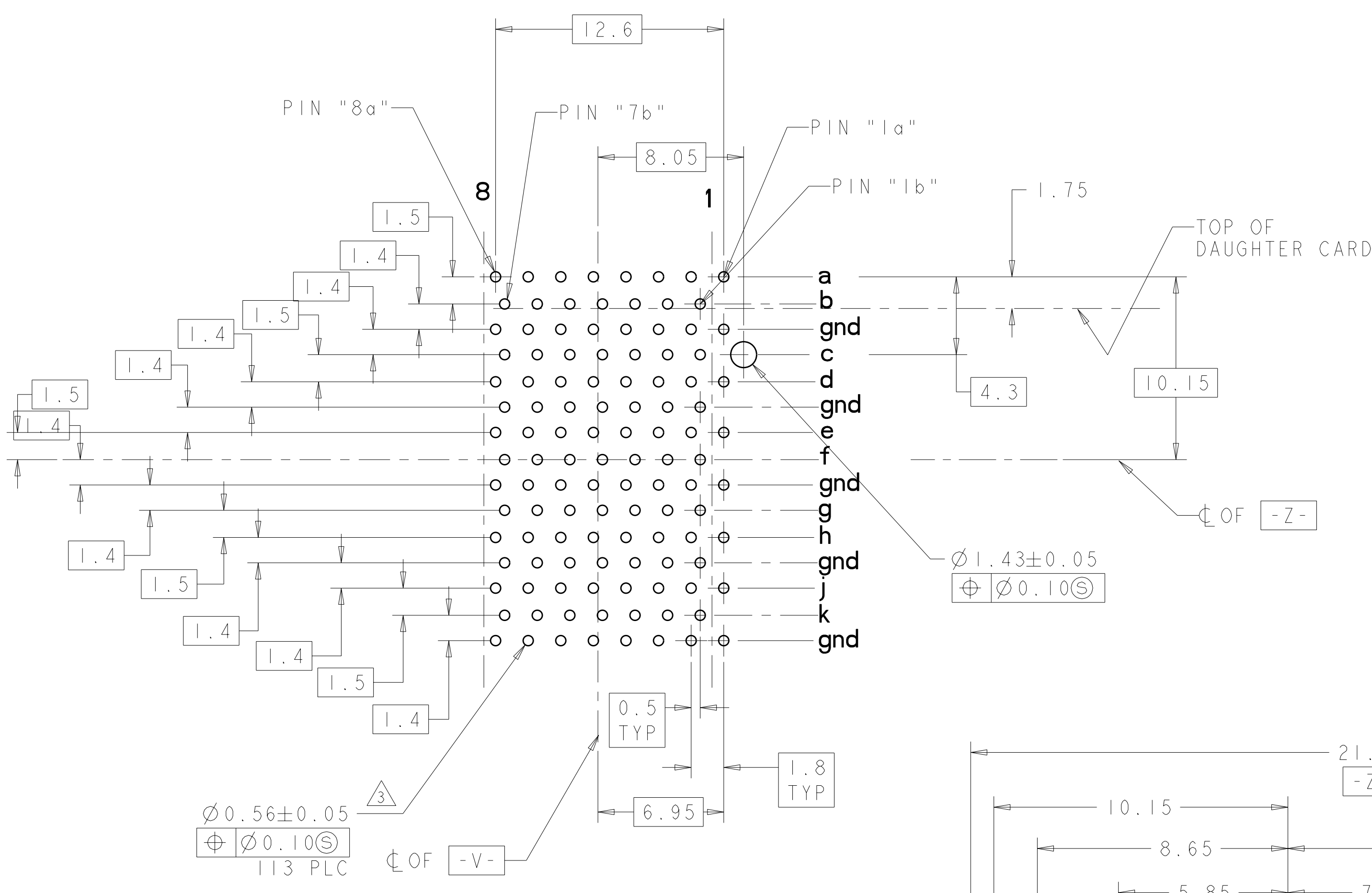
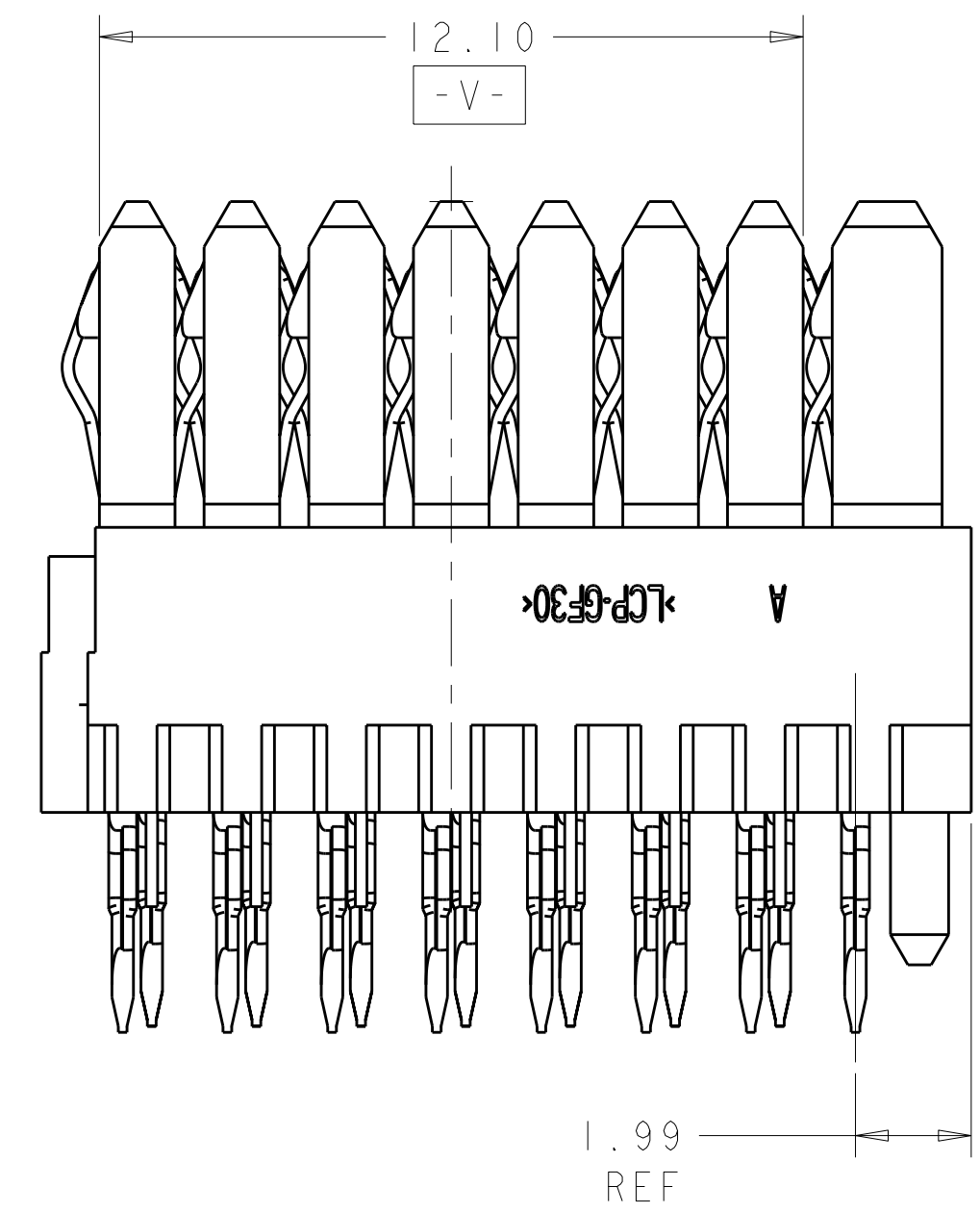
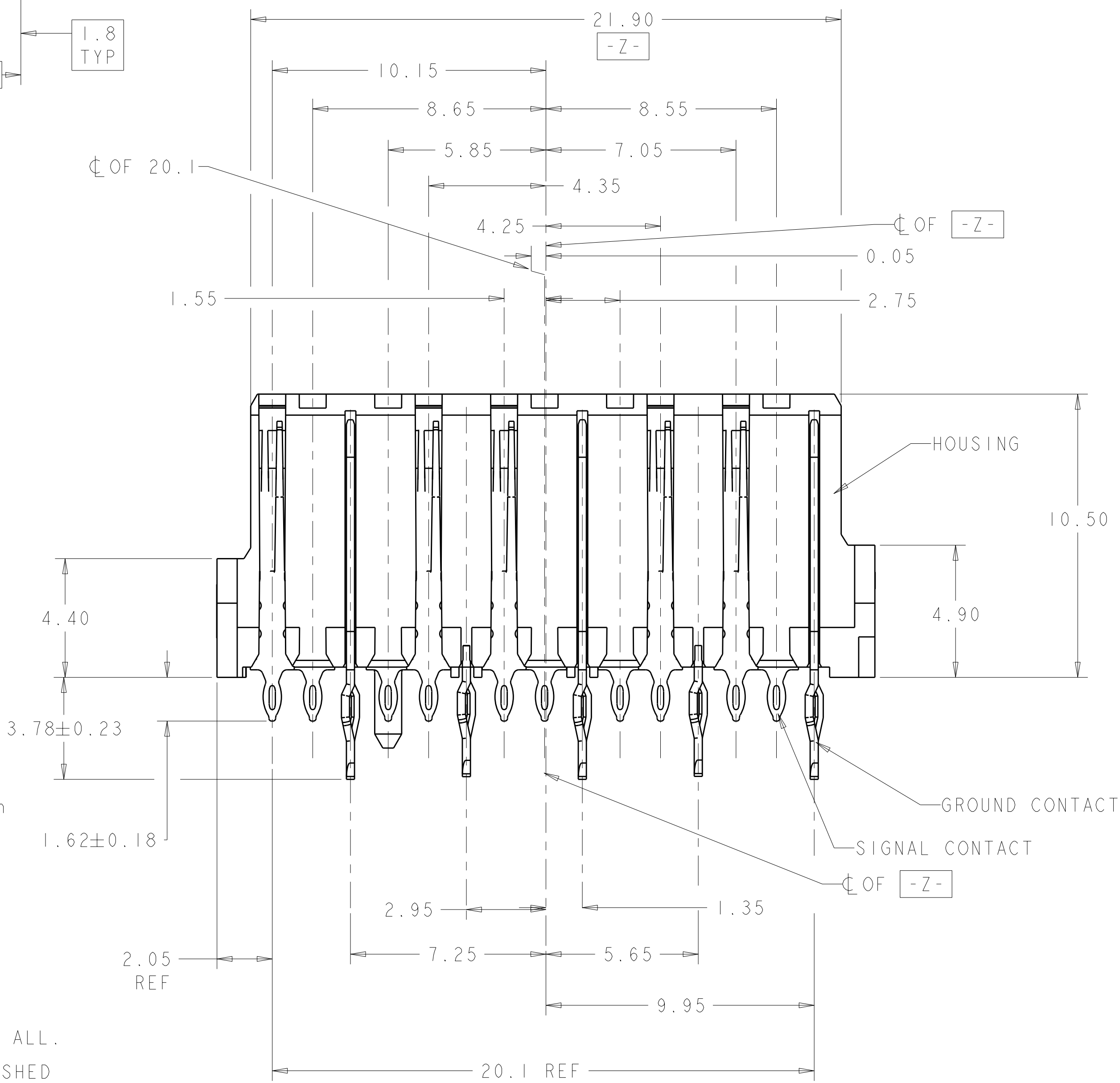
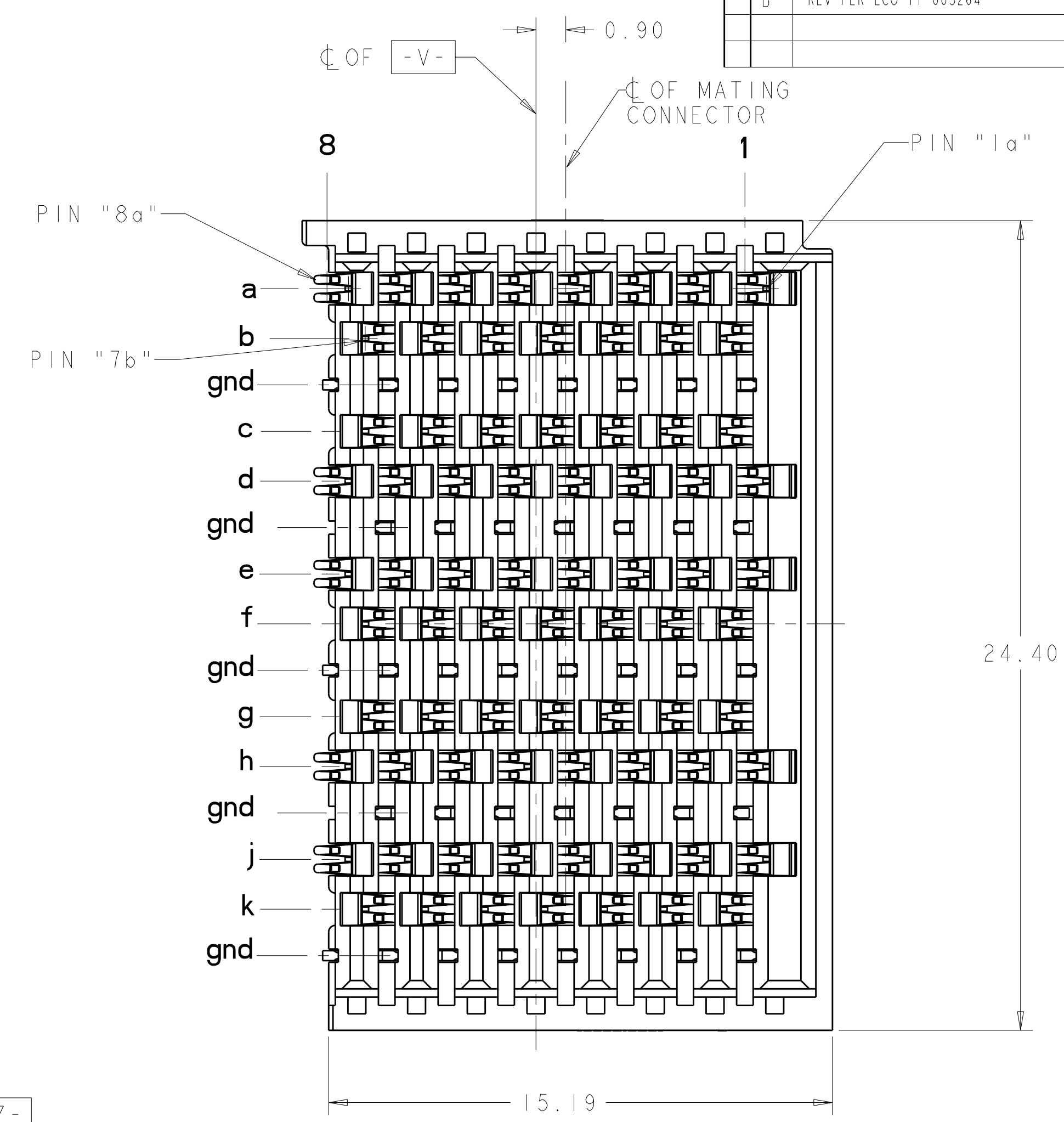


REV ISIONS		DATE	DWN	APVD
A	EC 0512-0341-04	29JUL2004	BW	GG
B	REV PER ECO-11-003264	25AUG2011	RG	AS



PC BOARD FOOTPRINT
 VIEWED FROM CONNECTOR SIDE
 SCALE 5:1



- △ HOUSING: LCP, UL94V-0, BLACK.
CONTACT: PHOSPHOR BRONZE.
- △ 1.27 μm GOLD PER ASTM B 488 IN CONTACT AREA, 1.27 μm MIN TIN-LEAD ON PCB TAIL, OVER 3.81 μm MIN NICKEL PER SAE AMS-QQ-N-290 OVER ALL.
- △ MANUFACTURING TOLERANCE FOR Ø 0.56 ± 0.05 DIAMETER FINISHED HOLE:
DRILLED HOLE: Ø 0.65 ± 0.02
COPPER PLATING: 0.050 - 0.025
TIN-LEAD PLATING: 0.0124 - 0.0038.
- △ 1.27 μm GOLD PER ASTM B 488 IN CONTACT AREA,
1.27 μm MIN MATTE TIN PER ASTM B 545 ON PCB TAIL,
OVER 3.81 μm MIN NICKEL PER SAE AMS-QQ-N-290 OVER ALL.
- △ MANUFACTURING TOLERANCE FOR A Ø 0.575 ± 0.045 FINISHED HOLE WITHOUT TIN LEAD PLATING:
DRILLED HOLE: Ø 0.65 ± 0.02
COPPER PLATING: 0.025 - 0.050

△ 4	△ 5	1410231-2
△ 2	△ 3	1410231-1
CONTACT TAIL/ HOLE FINISH		PART NO

DIMENSIONS: mm 9 PLC ±0.5 1 PLC ±0.13 5 PLC ±0.13 4 PLC ±0.13 ANGLES ±1°		TOLERANCES UNLESS OTHERWISE SPECIFIED: FINISH: △ 2		DWN: VAN SCOCCO CHK: N. RESEAR APVD: D. DEBRAUGH DATE: 24SEP2001 PRODUCT SPEC: 108-2072 APPLICATION SPEC: 114-13056 WEIGHT: - CUSTOMER DRAWING		Tyco Electronics Harrisburg, PA 17105-3608 NAME: VERTICAL RECEPTACLE ASSEMBLY, LEFT END, HALF, 25.4 mm, MultiGig RT-1, BACKPLANE CONNECTOR SIZE: A11 CAGE CODE: 00779 DRAWING NO: 1410231 SCALE: 8:1 SHEET: 1 OF 1 REV: B	
--	--	---	--	---	--	---	--

X-ON Electronics

Largest Supplier of Electrical and Electronic Components

Click to view similar products for [High Speed/Modular Connectors](#) category:

Click to view products by [TE Connectivity](#) manufacturer:

Other Similar products are found below :

[2332816-1](#) [89006-1137LF](#) [650827-1](#) [65762-001LF](#) [73474-201LF](#) [74040-1346](#) [74075-0267](#) [1410191-1](#) [1410337-1](#) [1410368-3](#) [1410964-2](#)
[1410367-3](#) [1410971-4](#) [1467833-1](#) [2000877-1](#) [2000878-1](#) [2041314-1](#) [2065387-1](#) [2187307-1](#) [2187462-1](#) [2226278-6](#) [KA81-07](#) [91290-101LF](#)
[163P](#) [1934290-1](#) [2000875-1](#) [2065917-1](#) [2102736-2](#) [FSR-40](#) [2169868-2](#) [2226279-2](#) [22354-8](#) [437-5040-000](#) [5-1393565-0](#) [532449-3](#) [532803-](#)
[2](#) [34745-0001](#) [0736440217](#) [1-1393708-5](#) [72388-0021LF](#) [73774-1000](#) [532939-1](#) [5-531355-3](#) [5532901-3](#) [85838-180LF](#)
[HM1S43TRR460H6PLF](#) [0760205010](#) [1-966831-4](#) [3-1469268-7](#) [77427-121LF](#)