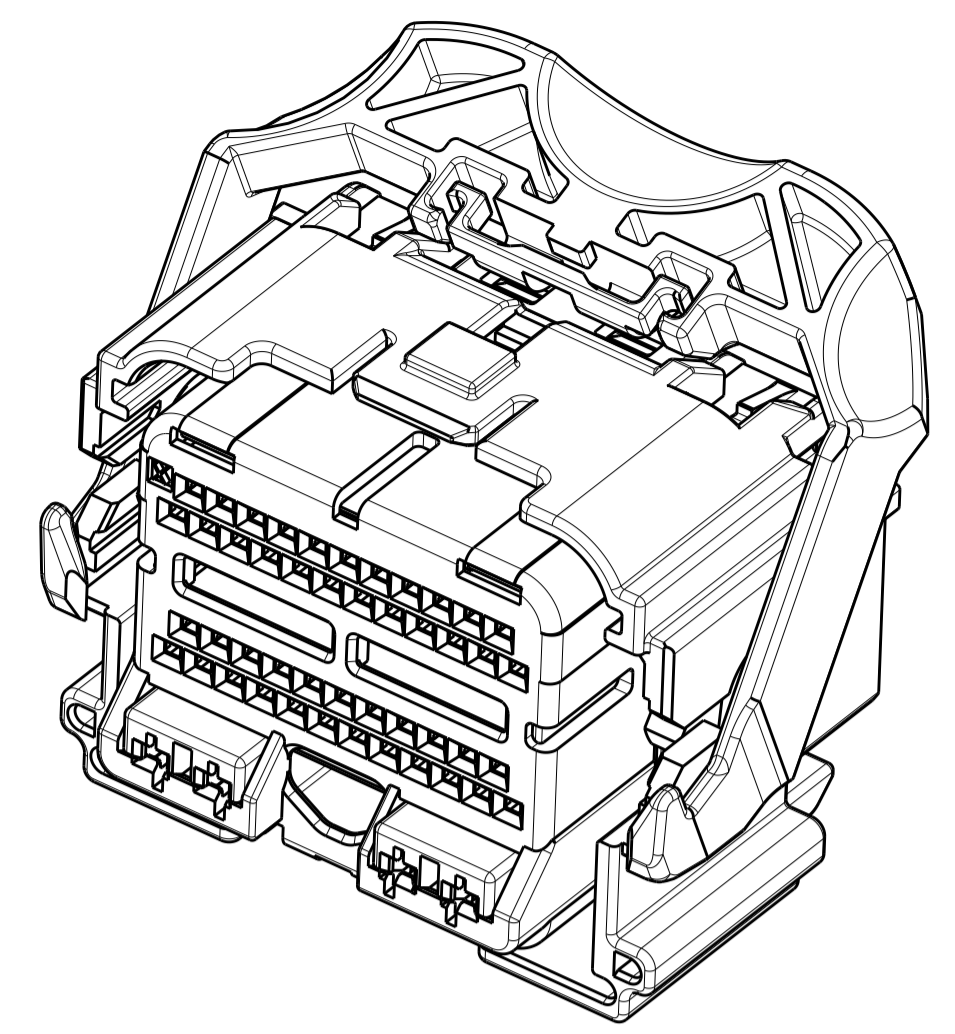
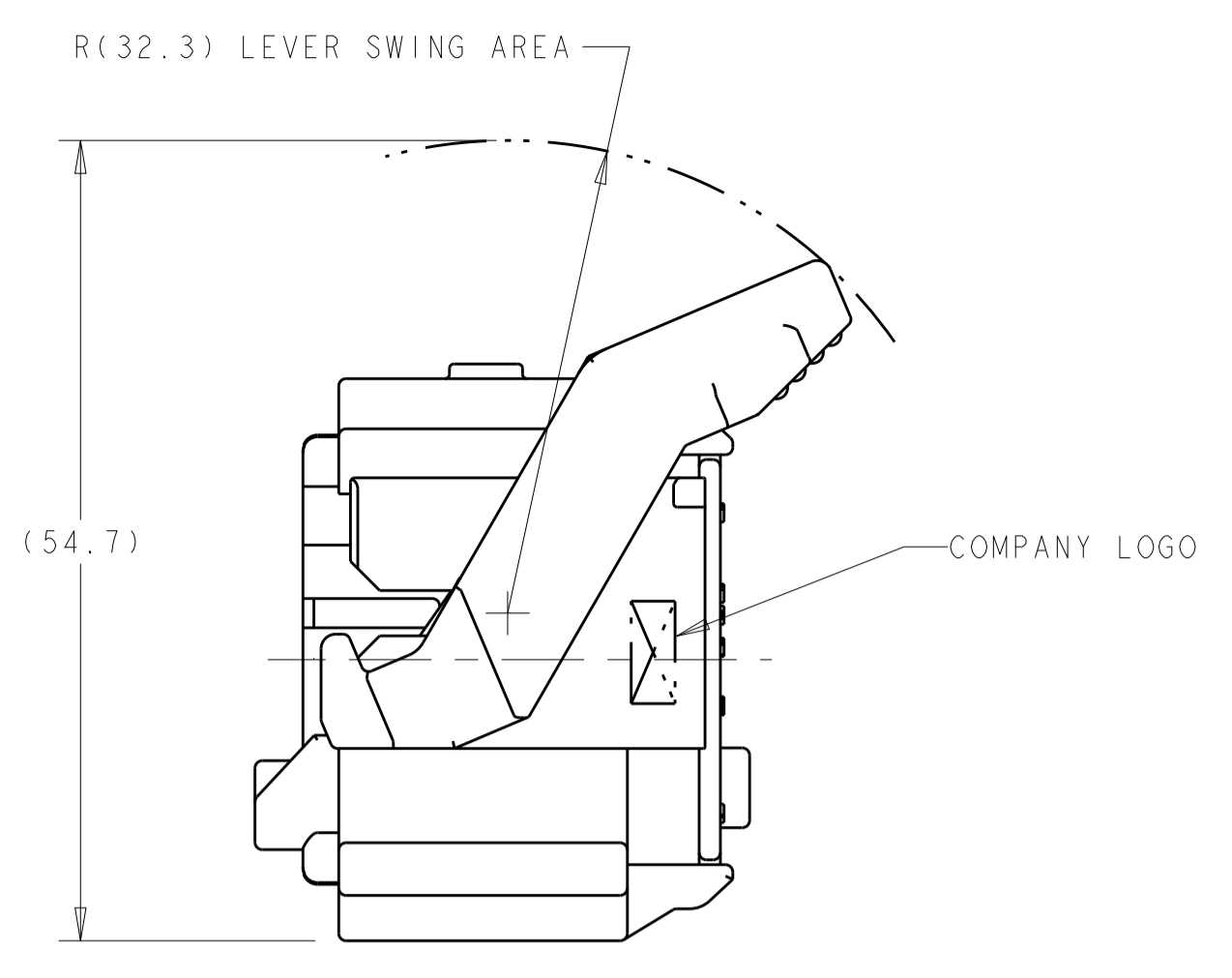
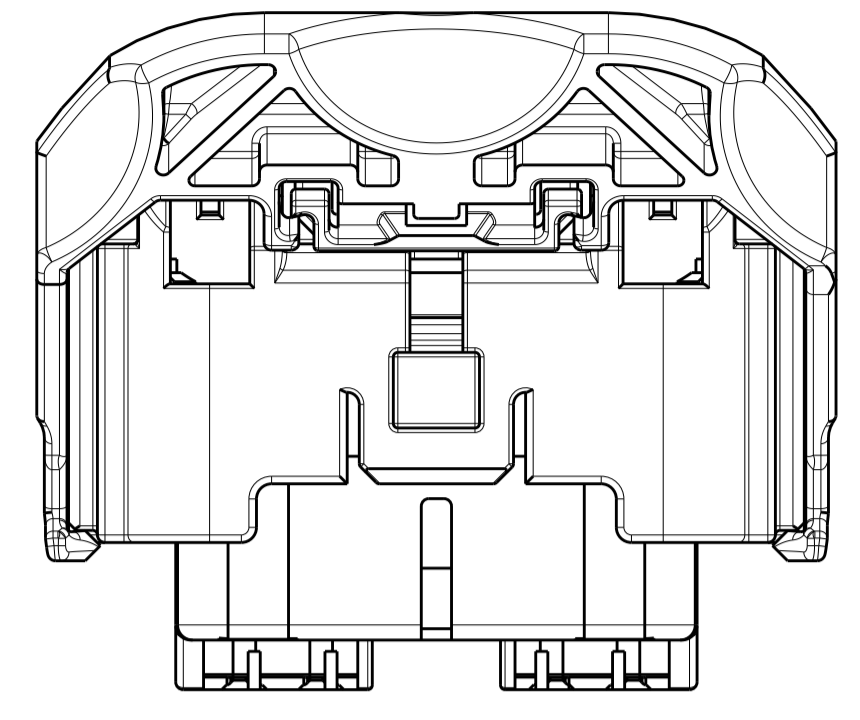


REVISIONS				
P.	LTN	DESCRIPTION	DATE	APVD
A15		REVISED PER ECO-11-002569	25FEB2011	DLD DCM
A16		REVISED PER ECO-14-011102	22JUL2014	DLD DCM

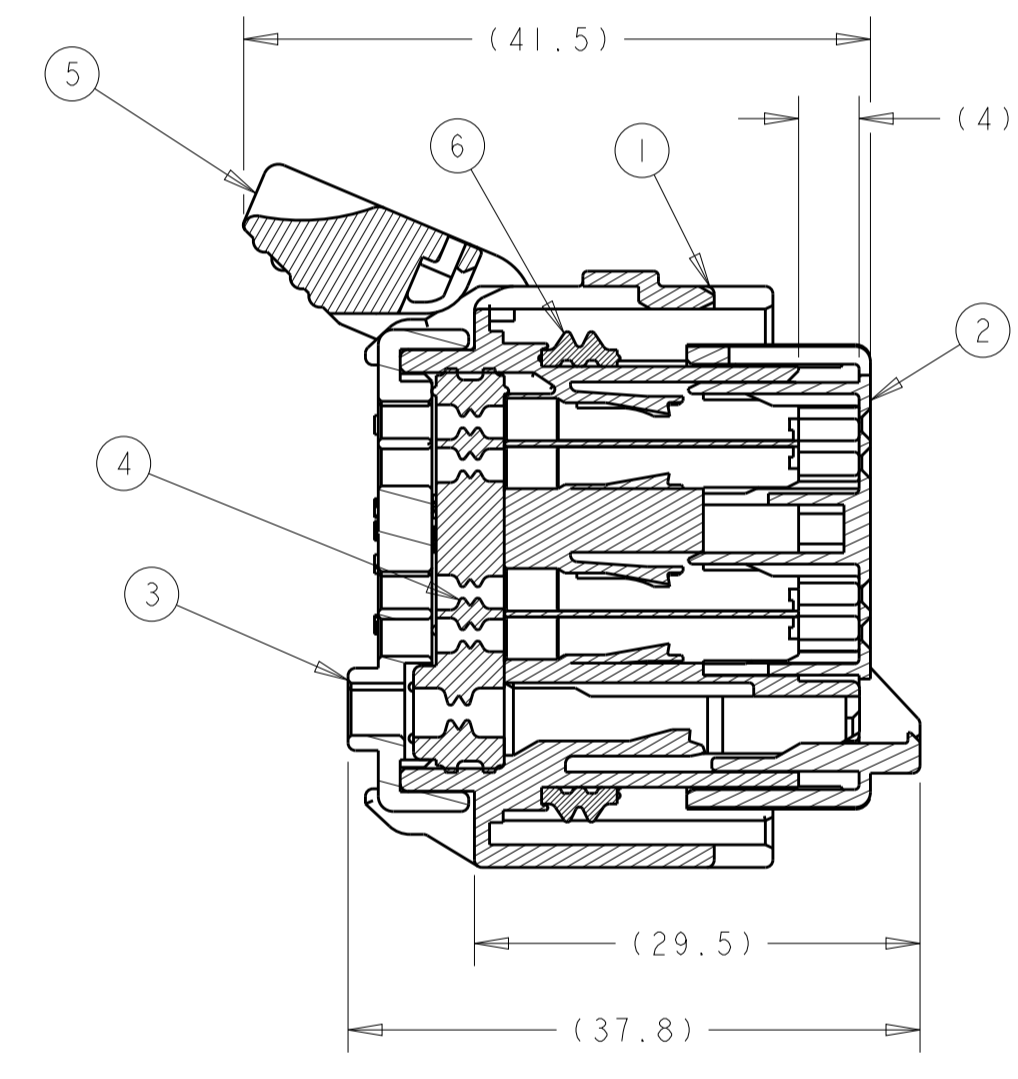


PART NUMBER:
1438691-1
SHOWN WITH SPACER
IN SEATED POSITION
SCALE 2:1

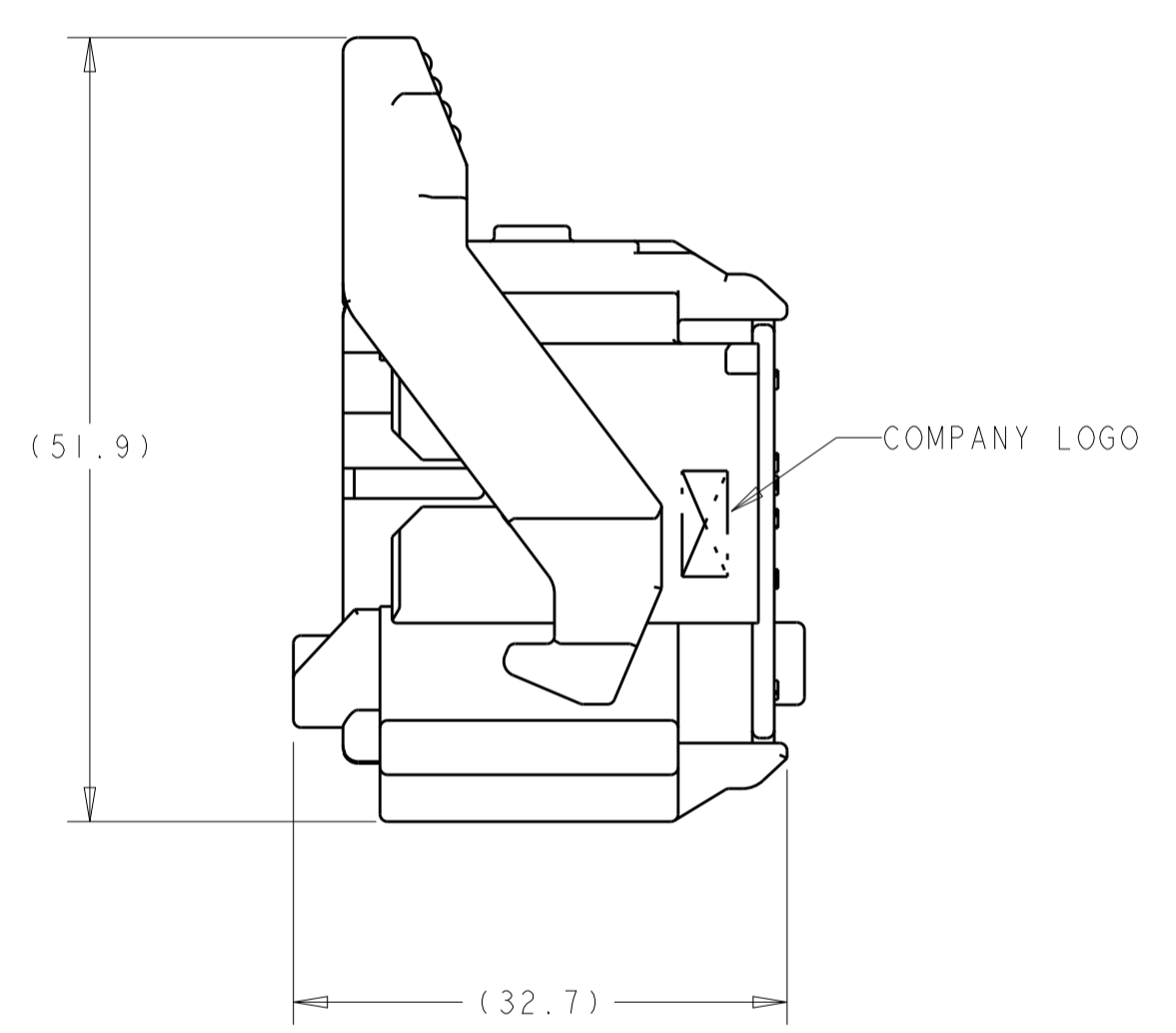
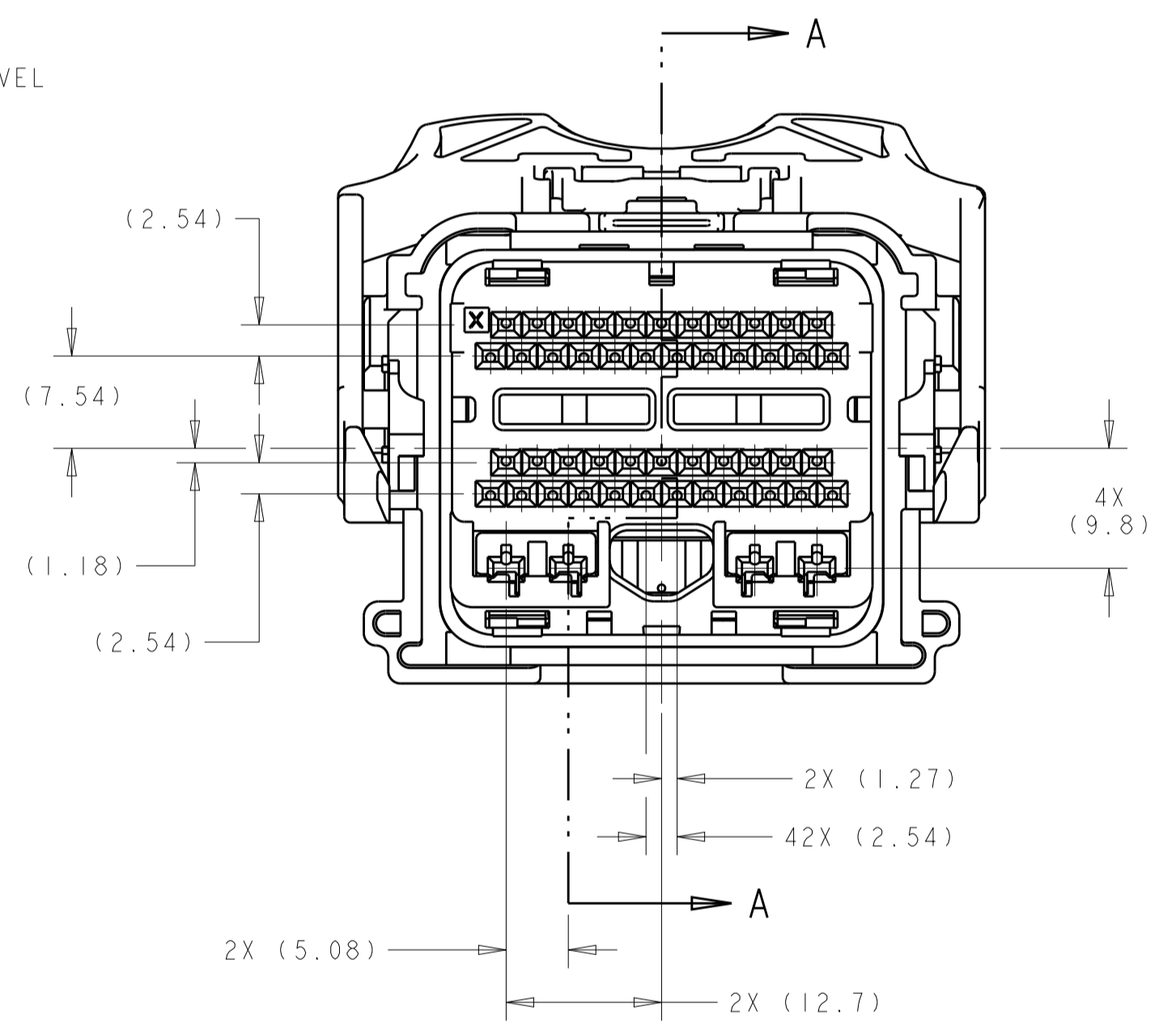


SHOWN WITH SPACER IN SEATED POSITION

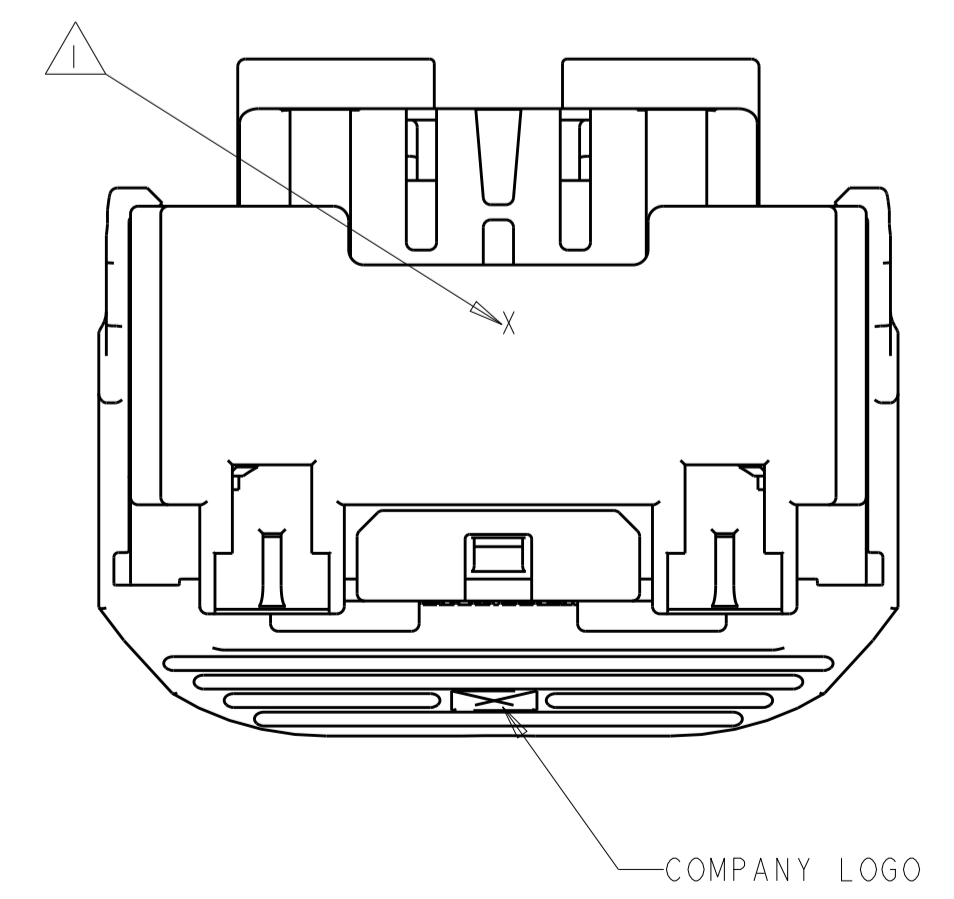
- △ PRINT TE PART NUMBER AND TRACEABILITY (YY : 2 DIGIT YEAR, JJJ = JULIAN DATE, HH = 2 DIGIT MILITARY HOUR CODE) IN THE LOCATION AT ASSEMBLY.
- △ OPTIONAL WIRE SHIELD PART NUMBERS (SOLD SEPARATELY) 1438126, 1438180, 1488373, AND 1488572. CONTACT TE ENGINEERING FOR MINIMUM FEED THRU CONDITION.
- 3. APPLICABLE TERMINAL PART NUMBERS (SOLD SEPARATELY) FOR TIN APPLICATIONS: 1393367 AND 1393366. FOR GOLD APPLICATIONS: 1393365 AND 1393364 FOR TERMINATION AND REELING OPTIONS SEE DRAWINGS 1393367, 1393366, 1393365, AND 1393364.
- 4. APPLICABLE MOLEX (1.5) POWER TERMINAL PART NUMBERS: 33012-0002 TIN 0.50-1.50mm²
- 5. CAM LEVER AND SPACER ARE SHIPPED IN THEIR PRE-ASSEMBLED POSITIONS.
- 6. REFERENCE TE INSTRUCTION SHEET 408-8893.



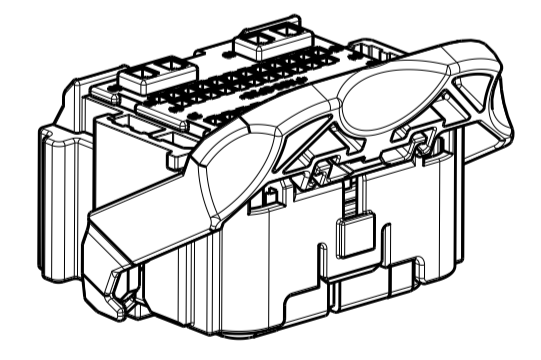
SECTION A-A
SPACER AND LEVER IN
PRE-SEATED POSITION
(DELIVERY CONDITION)



SHOWN WITH CAM
LEVER AND SPACER
IN LOADED POSITION



COMPANY LOGO



SCALE 1:1

GREEN	PERIMETER SEAL	6
GRAY	LEVER	5
BROWN	GROMMET SEAL	4
BLACK	COVER	3
RED	SPACER	2
BLACK	HARNESS, KEY "A"	1
PART COLOR	DESCRIPTION	ITEM NO.

THIS DRAWING IS A CONTROLLED DOCUMENT.		DWN B. CRISAMORE 21 JUL 2004	
DIMENSIONS:		CHK M. HITCHCOCK 21 JUL 2004	
mm		APVD C. MARTIN 21 JUL 2004	
0 PLC ± 1 PLC ±0.3 2 PLC ±0.10 3 PLC ± 4 PLC ± ANGLES ±1°		PRODUCT SPEC APPLICATION SPEC WEIGHT Customer Drawing	
MATERIAL		SIZE CAGE CODE DRAWING NO	
		A100779C=1438691	
		RESTRICTED TO	
		SCALE 2:1 SHEET 1 OF 4 REV A16	




ASSEMBLY,
50-WAY, KEY A,
PCM HARNESS

REVISIONS				
P.	LTN	DESCRIPTION	DATE	APP'D
-	-	SEE SHEET 1	-	-

KEYING OPTION A

		46	45	44	43	41	39	38	37	36	35	33	32	31	29	28	23	22	21	19	18	13	6	5	6-1438691-8																							
					43	41	39	38	37	36	35	33	32	31	29	28										6-1438691-7																						
					43	41	39	38	37	36	35	33	32	31	29	28										6-1438691-6																						
					43	41	39	38	37	36	35	33	32	31	29	28										6-1438691-5																						
					43	41	40	39	38	37	36	35	33	32	31	29	28									6-1438691-4																						
					43	41	40	39	38	37	36	35	33	32	31	29	28									6-1438691-3																						
					43	41	40	39	38	37	36	35	33	32	31	29	28									6-1438691-2																						
					43	41	40	39	38	37	36	35	33	32	31	29	28									6-1438691-1																						
					43	41	40	39	38	37	36	35	33	32	31	29	28									6-1438691-0																						
					43	42	41	40	39	38	37	36	35	33	32	29	28									5-1438691-9																						
					43	42	41	40	39	38	37	36	35	33	32	29	28									5-1438691-8																						
					43	42	41	40	39	38	37	36	35	33	32	29	28									5-1438691-7																						
					43	42	41	40	39	38	37	36	35	33	32	29	28									5-1438691-6																						
					43	42	41	40	39	38	37	36	35	33	32	29	28									5-1438691-5																						
					43	42	41	40	39	38	37	36	35	33	32	29	28									5-1438691-4																						
					43	42	41	40	39	38	37	36	35	33	32	29	28									5-1438691-3																						
					43	42	41	40	39	38	37	36	35	33	32	29	28									5-1438691-2																						
					43	42	41	40	39	38	37	36	35	33	32	29	28									5-1438691-1																						
					43	42	41	40	39	38	37	36	35	33	32	29	28									5-1438691-0																						
					43	42	41	40	39	38	37	36	35	33	32	29	28									4-1438691-9																						
					43	42	41	40	39	38	37	36	35	33	32	29	28									4-1438691-8																						
					43	42	41	40	39	38	37	36	35	33	32	29	28									4-1438691-7																						
					43	42	41	40	39	38	37	36	35	33	32	29	28									4-1438691-6																						
					43	42	41	40	39	38	37	36	35	33	32	29	28									4-1438691-5																						
					43	42	41	40	39	38	37	36	35	33	32	29	28									4-1438691-4																						
					43	42	41	40	39	38	37	36	35	33	32	29	28									4-1438691-3																						
					43	42	41	40	39	38	37	36	35	33	32	29	28									4-1438691-2																						
					43	42	41	40	39	38	37	36	35	33	32	29	28									4-1438691-1																						
					43	42	41	40	39	38	37	36	35	33	32	29	28									4-1438691-0																						
					43	42	41	40	39	38	37	36	35	33	32	29	28									3-1438691-9																						
					43	42	41	40	39	38	37	36	35	33	32	29	28									3-1438691-8																						
					43	42	41	40	39	38	37	36	35	33	32	29	28									3-1438691-7																						
					43	42	41	40	39	38	37	36	35	33	32	29	28									3-1438691-6																						
					43	42	41	40	39	38	37	36	35	33	32	29	28									3-1438691-5																						
					43	42	41	40	39	38	37	36	35	33	32	29	28									3-1438691-4																						
					43	42	41	40	39	38	37	36	35	33	32	29	28									3-1438691-3																						
					43	42	41	40	39	38	37	36	35	33	32	29	28									3-1438691-2																						
					43	42	41	40	39	38	37	36	35	33	32	29	28									3-1438691-1																						
					43	42	41	40	39	38	37	36	35	33	32	29	28									3-1438691-0																						
					43	42	41	40	39	38	37	36	35	33	32	29	28									2-1438691-9																						
					43	42	41	40	39	38	37	36	35	33	32	29	28									2-1438691-8																						
					43	42	41	40	39	38	37	36	35	33	32	29	28									2-1438691-7																						
					43	42	41	40	39	38	37	36	35	34	33	32	29	28								2-1438691-6																						
					43	42	41	40	39	38	37	36	35	34	33	32	29	28								2-1438691-5																						
					43	42	41	40	39	38	37	36	35	34	33	32	29	28								2-1438691-4																						
					43	42	41	40	39	38	37	36	35	34	32	29	28									2-1438691-3																						
					43	42	41	40	39	38	37	36	35	34	32	29	28									2-1438691-2																						
					43	42	41	40	39	38	37	36	35	34	32	29	28									2-1438691-1																						
					43	42	41	40	39	38	37	36	35	34	33	32	29	28								2-1438691-0																						
					43	42	41	40	39	38	37	36	35	34	32	29	28									1-1438691-9																						
					43	42	41	40	39	38	37	36	35	34	32	29	28									1-1438691-8																						
					43	42	41	40	39	38	37	36	35	34	32	29	28									1-1438691-7																						
					43	42	41	40	39	38	37	36	35	34	32	29	28									1438691-8																						
					43	42	41	40	39	38	37	36	35	34	33	32	29	28								1438691-7																						
					43	42	41	40	39	38	37	36	35	34	33	32	29	28								1438691-6																						
					43	42	41	40	39	38	37	36	35	34	33	32	29	28								1438691-5																						
					43	42	41	40	39	38	37	36	35	34	33	32	29	28								1438691-4																						
					43	42	41	40	39	38	37	36	35	34	33	32	29	28								1438691-3																						
					43	42	41	40	39	38	37	36	35	34	33	32	29	28								1438691-2																						
					43	42	41	40	39	38	37	36	35	34	33	32	29	28								1438691-1																						
					43	42	41	40	39	38	37	36	35	34	33	32	31	30	29	28	27	26	25	24	23	22	21	20	19	18	17	16	15	14	13	12	11	10	9	8	7	6	5	4	3	2	1	ASSEMBLY PART NUMBER

PIN-OUT CHART

THIS DRAWING IS A CONTROLLED DOCUMENT.		OWN: B. CRISAMORE 21 JUL 2004	 TE Connectivity ASSEMBLY, 50-WAY, KEY A, PCM HARNESS
DIMENSIONS: mm		CHK: M. HITCHCOCK 21 JUL 2004	
TOLERANCES UNLESS OTHERWISE SPECIFIED: 0 PLC ±.3 1 PLC ±0.10 2 PLC ±.15 3 PLC ±.20 4 PLC ±.25 ANGLES FINISH ±.1		APVD: C. MARTIN 21 JUL 2004	NAME: PRODUCT SPEC
MATERIAL: -		FINISH: -	APPLICATION SPEC: -
WEIGHT: -		SCALE: 2:1	RESTRICTED TO: -
Customer Drawing		SIZE: A100779	REV: A16

X-ON Electronics

Largest Supplier of Electrical and Electronic Components

Click to view similar products for [Automotive Connectors](#) category:

Click to view products by [TE Connectivity](#) manufacturer:

Other Similar products are found below :

[003-018-000](#) [600858](#) [60403001](#) [60993906-B](#) [60993913-B](#) [629515004020001](#) [M902-2131](#) [M902-2161](#) [M902-2344](#) [72.330.1035.1](#)
[73.353.4028.0](#) [F118010](#) [F119300-B](#) [F132210](#) [F132210-B](#) [F166900](#) [F180100](#) [F258300](#) [F258300-B](#) [F294300-B](#) [F339100](#) [F339700](#) [F358300-](#)
[B](#) [F374110](#) [F407400](#) [F412210](#) [F427600](#) [F444110](#) [F487000](#) [F495100-B](#) [F500900-B](#) [F509500B-B](#) [770444-1](#) [776880-1](#) [827153-1](#) [881735-1](#)
[8N1515-32-24P](#) [9-1326729-8](#) [925467-1](#) [925474-1](#) [928905-1](#) [936398-2](#) [964562-1](#) [964562-4](#) [964731-2](#) [965051-1](#) [968782-1](#) [GT17SA-8DS-](#)
[HU](#) [GT17VS-10DP-5.2CF](#) [98315-0001](#)