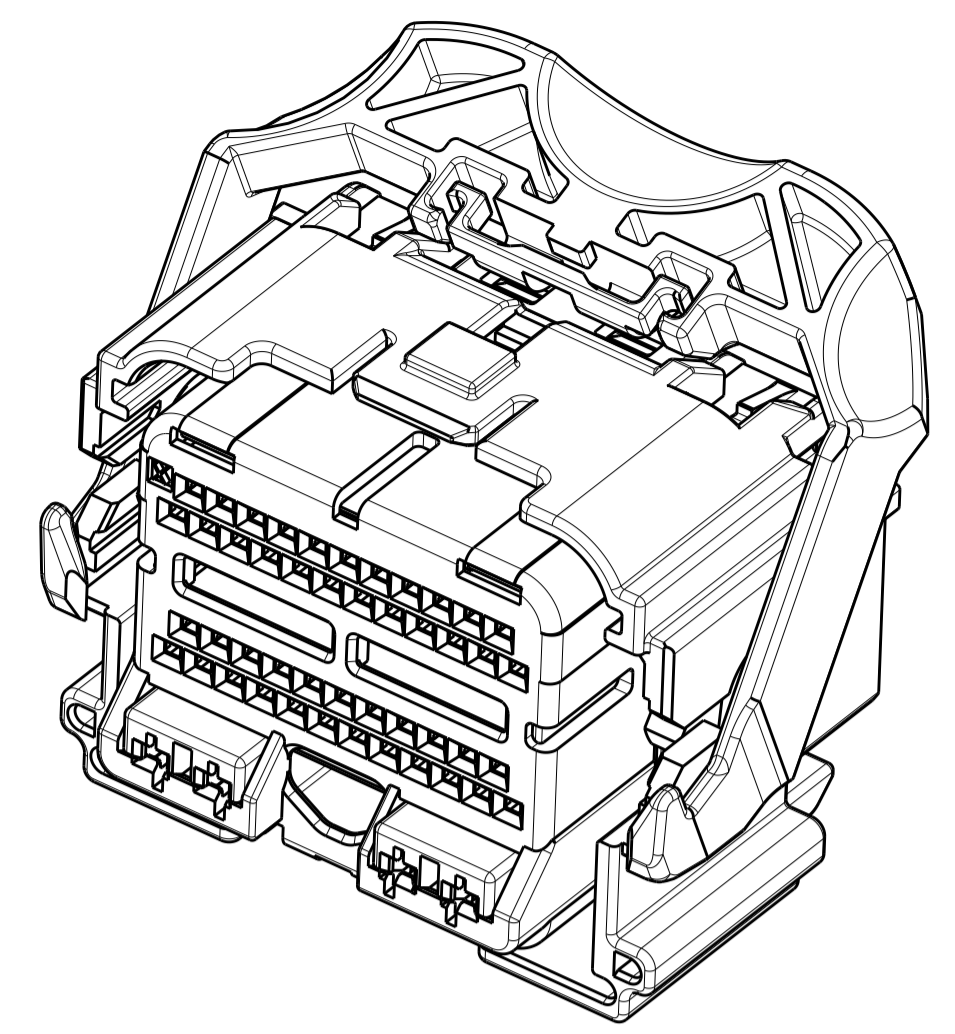
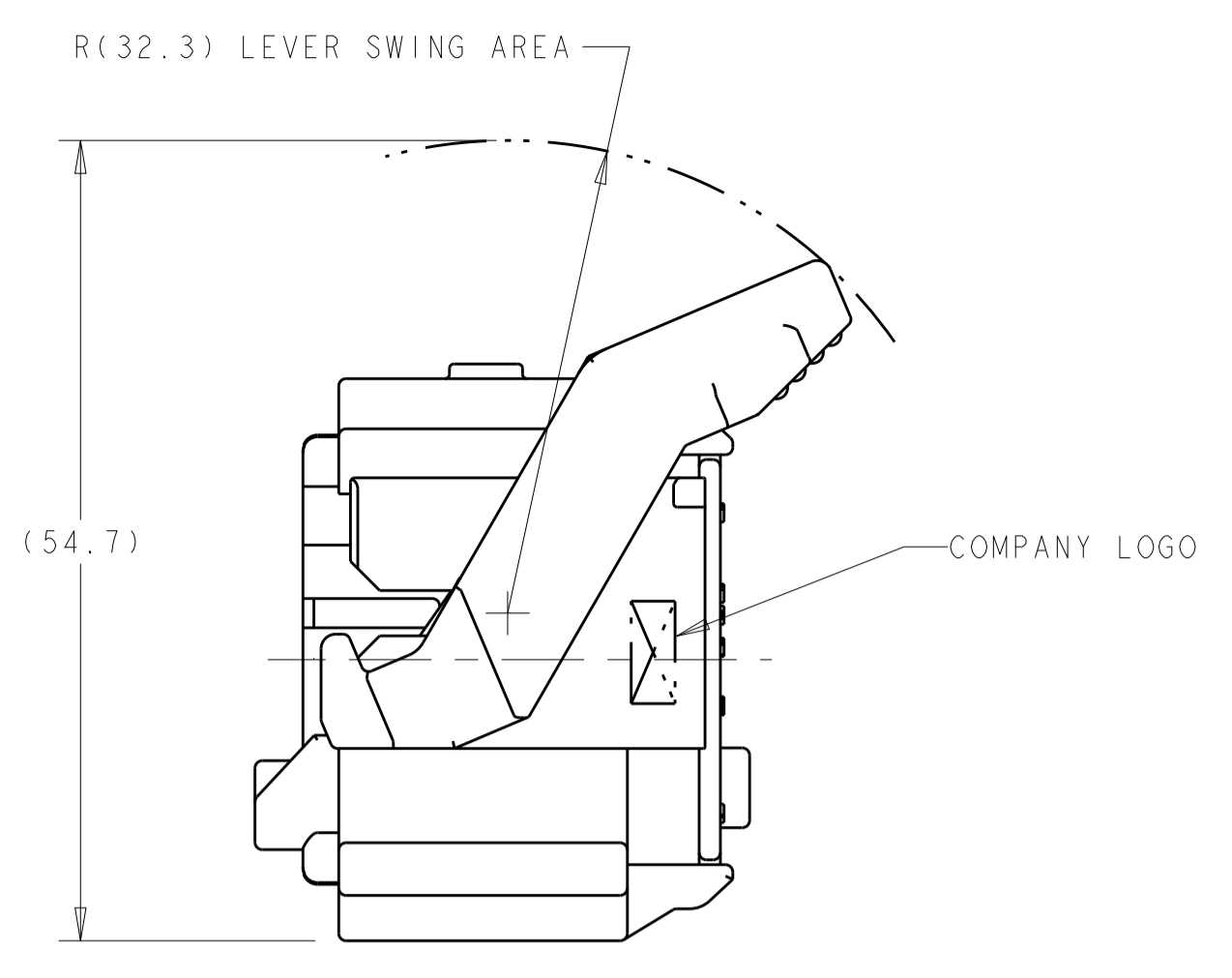
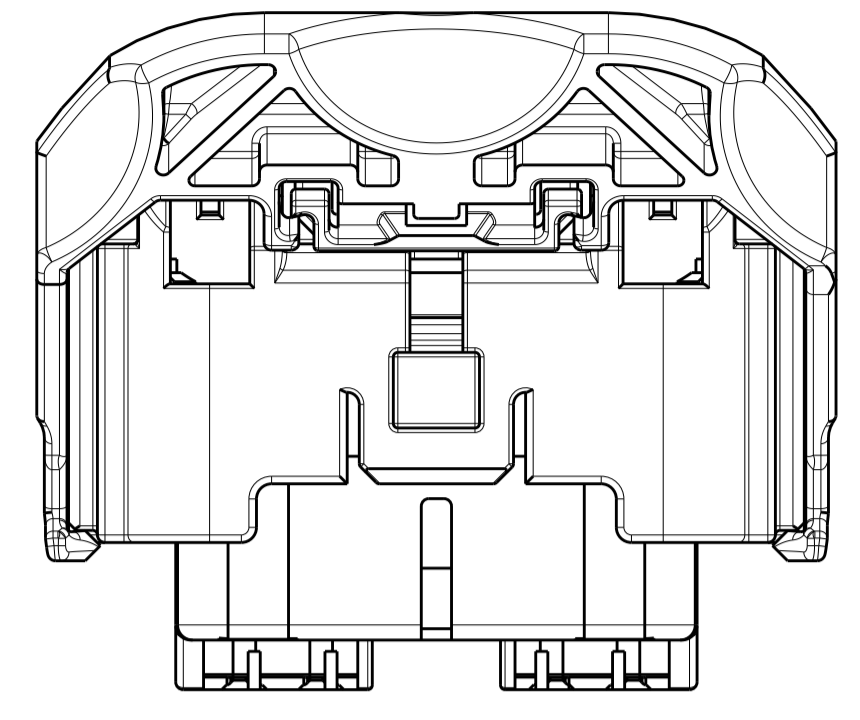


REVISIONS				
P.	LTN	DESCRIPTION	DATE	OWN APVD
A15		REVISED PER ECO-11-002569	25FEB2011	DLD DCM
A16		REVISED PER ECO-14-011102	22JUL2014	DLD DCM

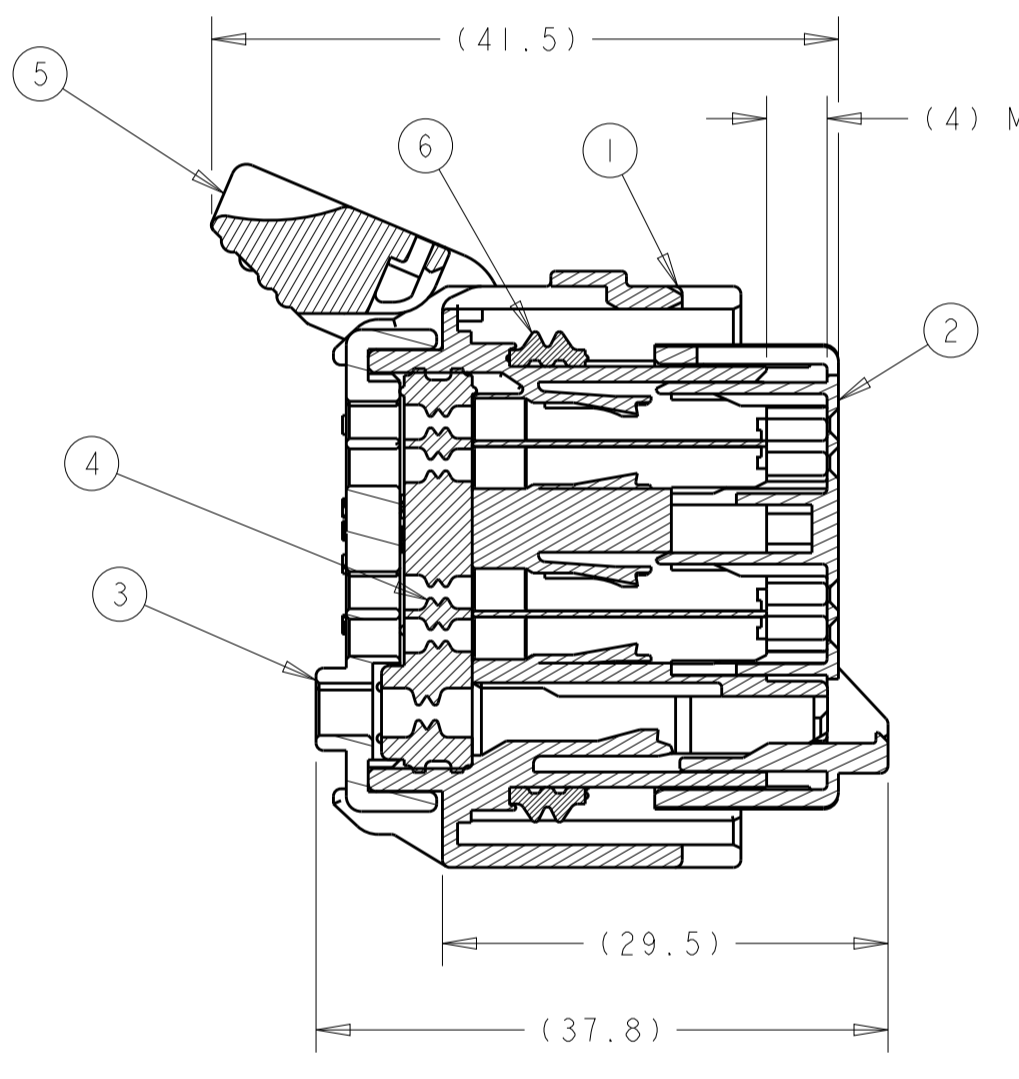


PART NUMBER:
1438691-1
SHOWN WITH SPACER
IN SEATED POSITION
SCALE 2:1

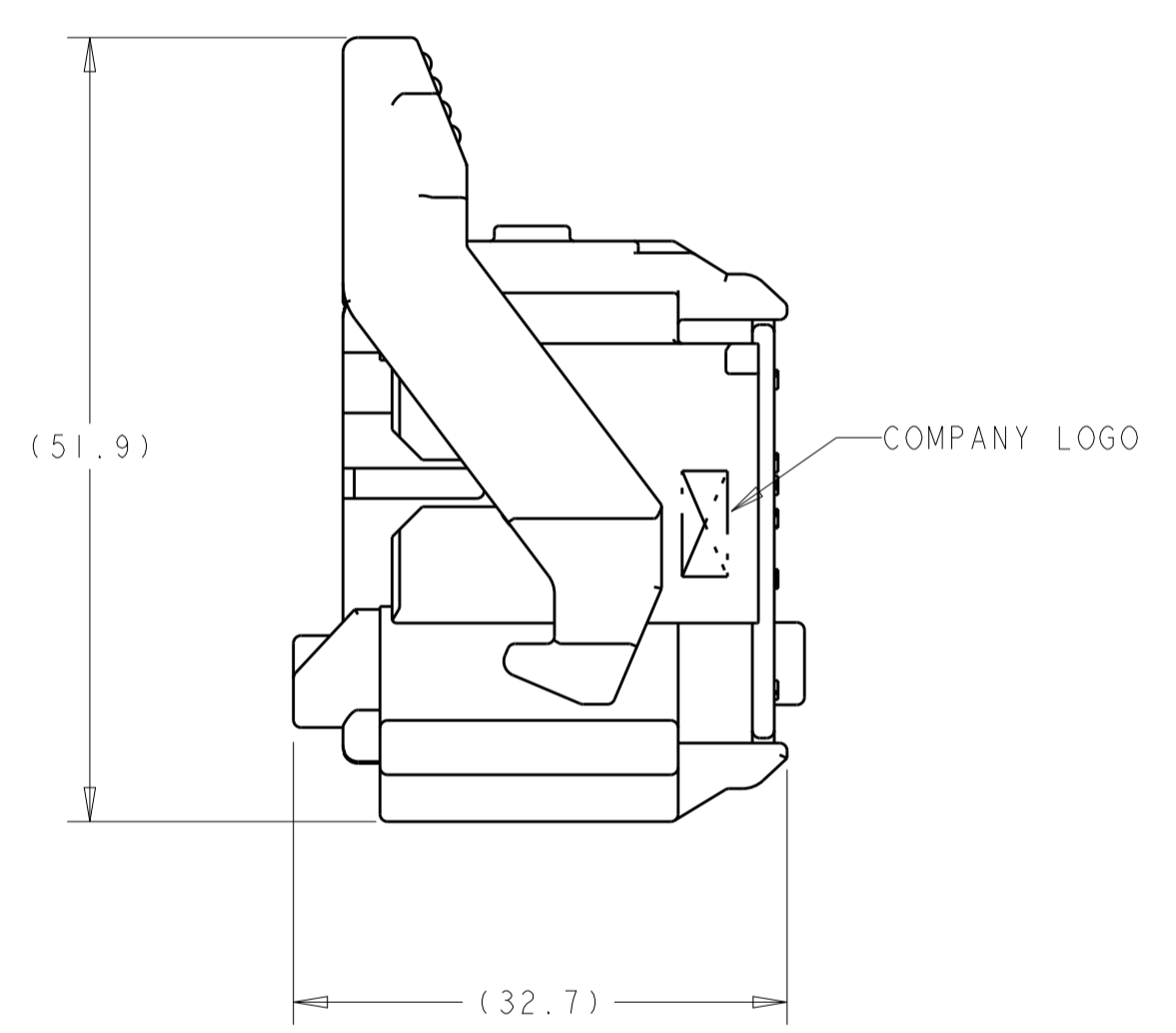
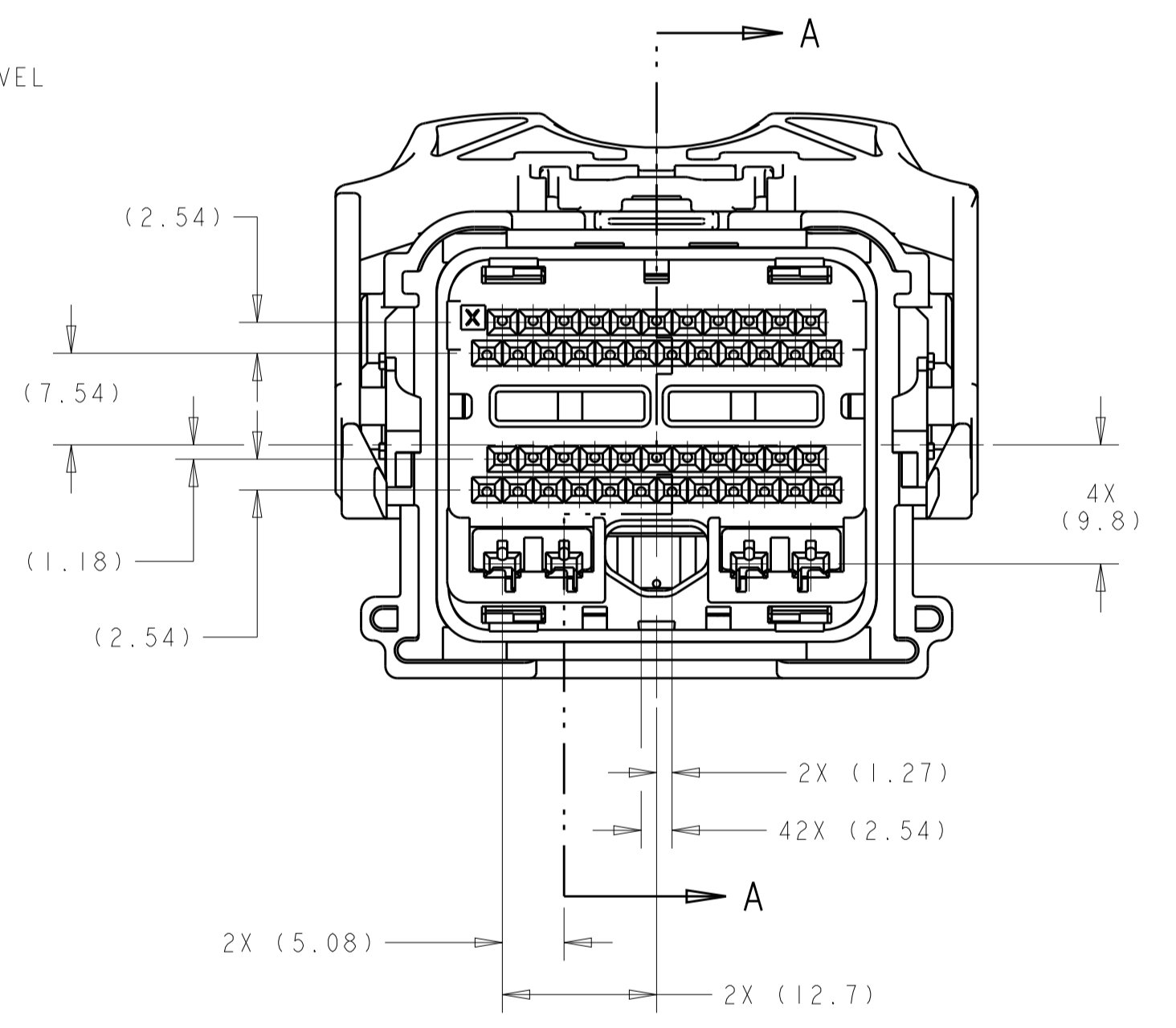


SHOWN WITH SPACER IN SEATED POSITION

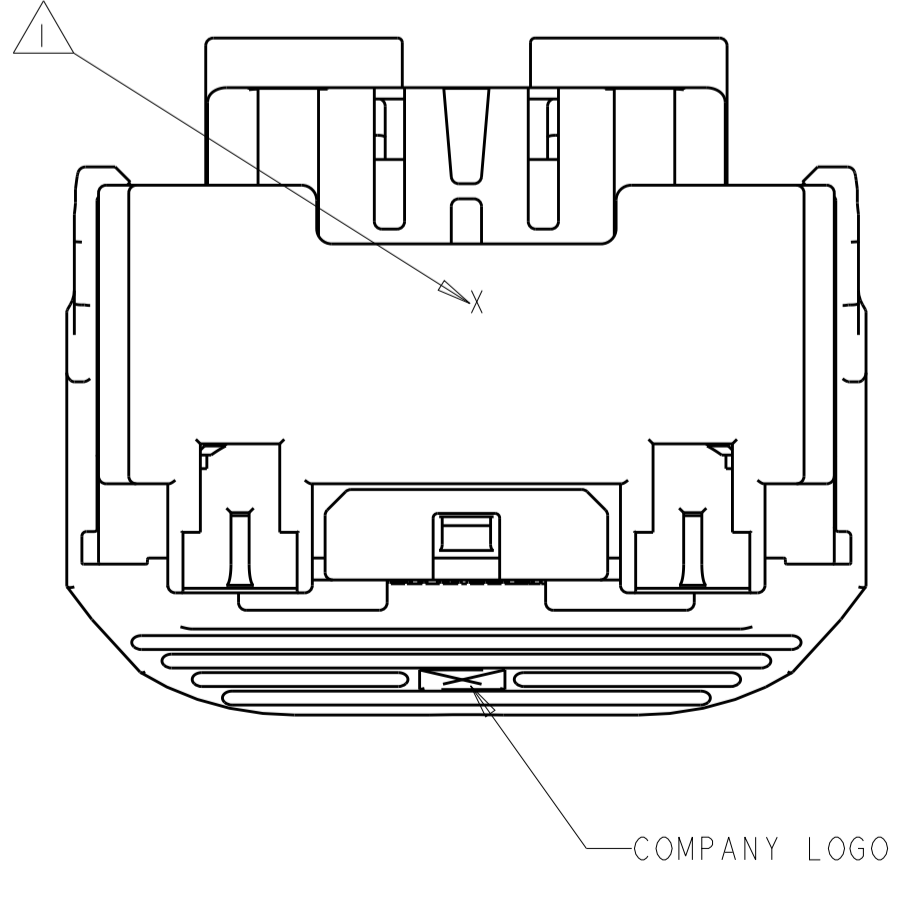
- △ PRINT TE PART NUMBER AND TRACEABILITY (YY : 2 DIGIT YEAR, JJJ = JULIAN DATE, HH = 2 DIGIT MILITARY HOUR CODE) IN THE LOCATION AT ASSEMBLY.
- △ OPTIONAL WIRE SHIELD PART NUMBERS (SOLD SEPARATELY) 1438126, 1438180, 1488373, AND 1488572. CONTACT TE ENGINEERING FOR MINIMUM FEED THRU CONDITION.
- 3. APPLICABLE TERMINAL PART NUMBERS (SOLD SEPARATELY) FOR TIN APPLICATIONS: 1393367 AND 1393366. FOR GOLD APPLICATIONS: 1393365 AND 1393364 FOR TERMINATION AND REELING OPTIONS SEE DRAWINGS 1393367, 1393366, 1393365, AND 1393364.
- 4. APPLICABLE MOLEX (1.5) POWER TERMINAL PART NUMBERS: 33012-0002 TIN 0.50-1.50mm²
- 5. CAM LEVER AND SPACER ARE SHIPPED IN THEIR PRE-ASSEMBLED POSITIONS.
- 6. REFERENCE TE INSTRUCTION SHEET 408-8893.



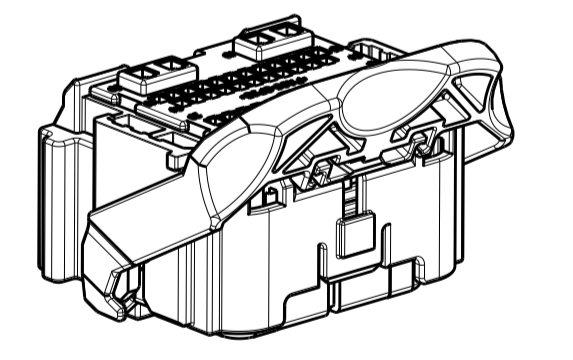
SECTION A-A
SPACER AND LEVER IN
PRE-SEATED POSITION
(DELIVERY CONDITION)



SHOWN WITH CAM
LEVER AND SPACER
IN LOADED POSITION



COMPANY LOGO



SCALE 1:1

GREEN	PERIMETER SEAL	6
GRAY	LEVER	5
BROWN	GROMMET SEAL	4
BLACK	COVER	3
RED	SPACER	2
BLACK	HARNESS, KEY "A"	1
PART COLOR	DESCRIPTION	ITEM NO.

THIS DRAWING IS A CONTROLLED DOCUMENT. DWN B. CRISAMORE 21 JUL 2004
 CHK M. HITCHCOCK 21 JUL 2004
 APVD C. MARTIN 21 JUL 2004

DIMENSIONS:		TOLERANCES UNLESS OTHERWISE SPECIFIED:	
mm	0 PLC	±	
	1 PLC	±0.3	
	2 PLC	±0.10	
	3 PLC	±	
	4 PLC	±	
	ANGLES	±	°
	FINISH	±	μm

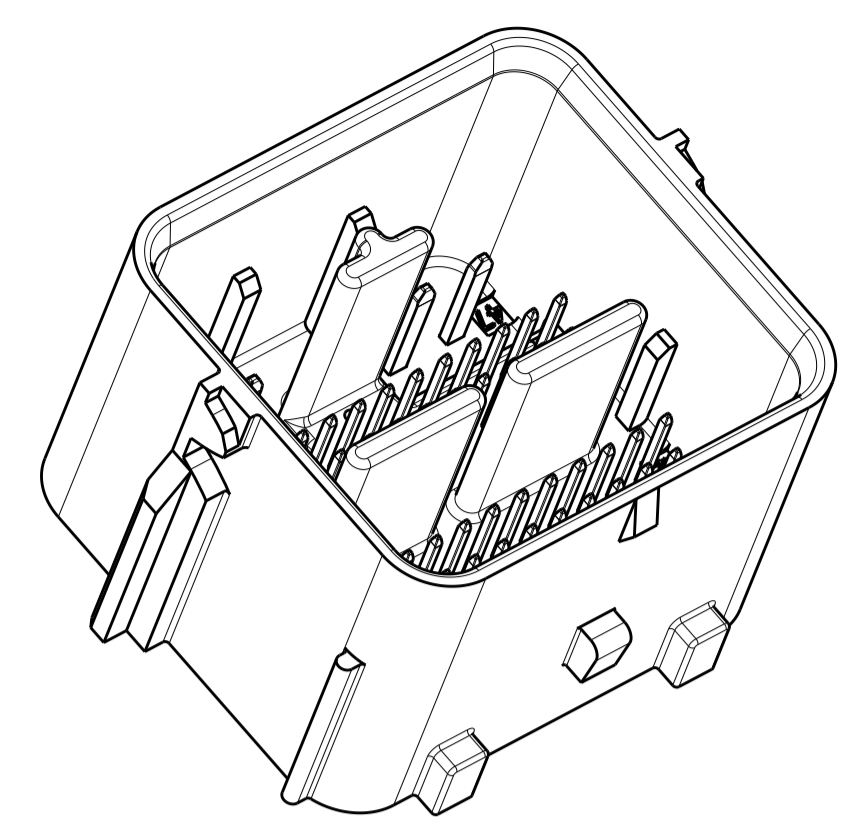
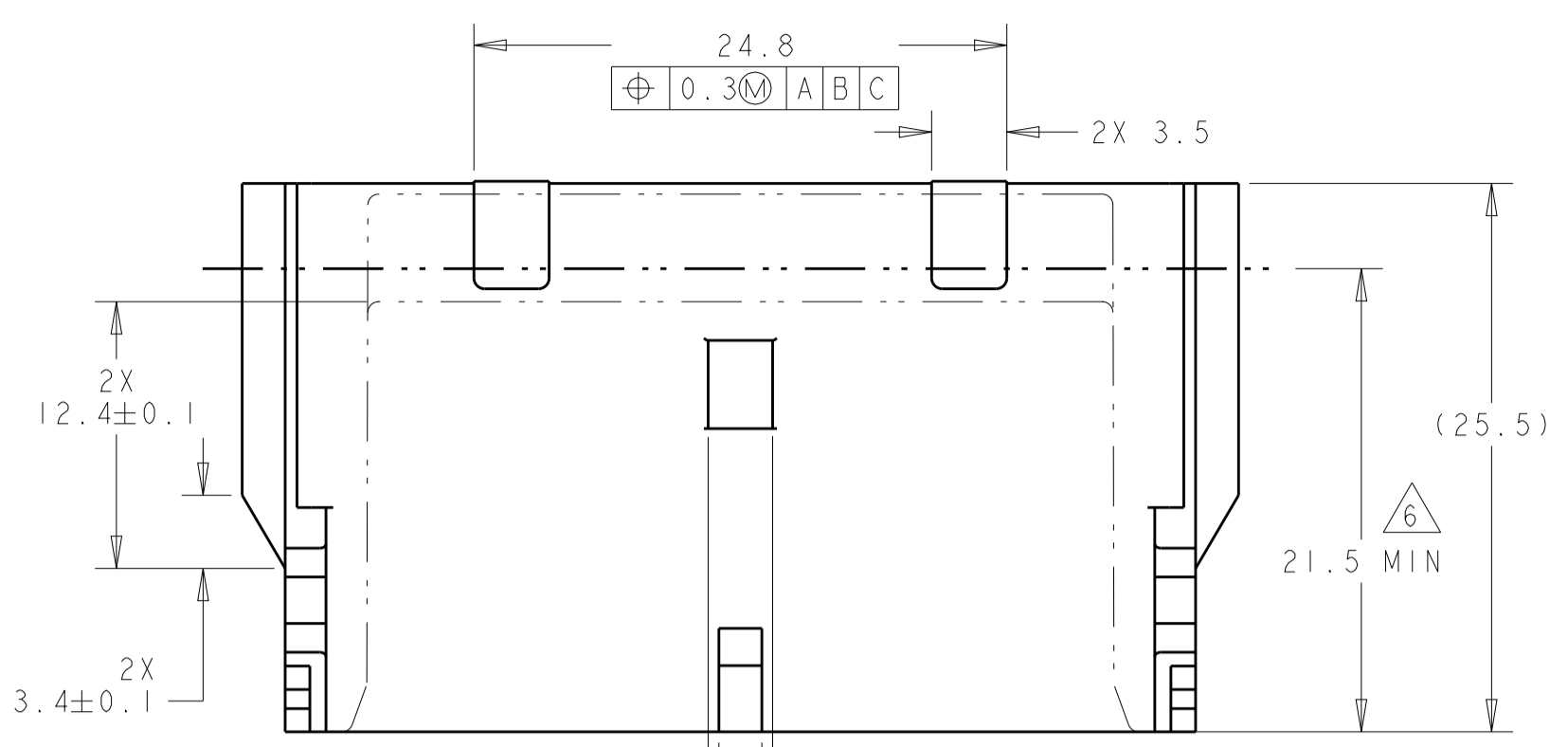
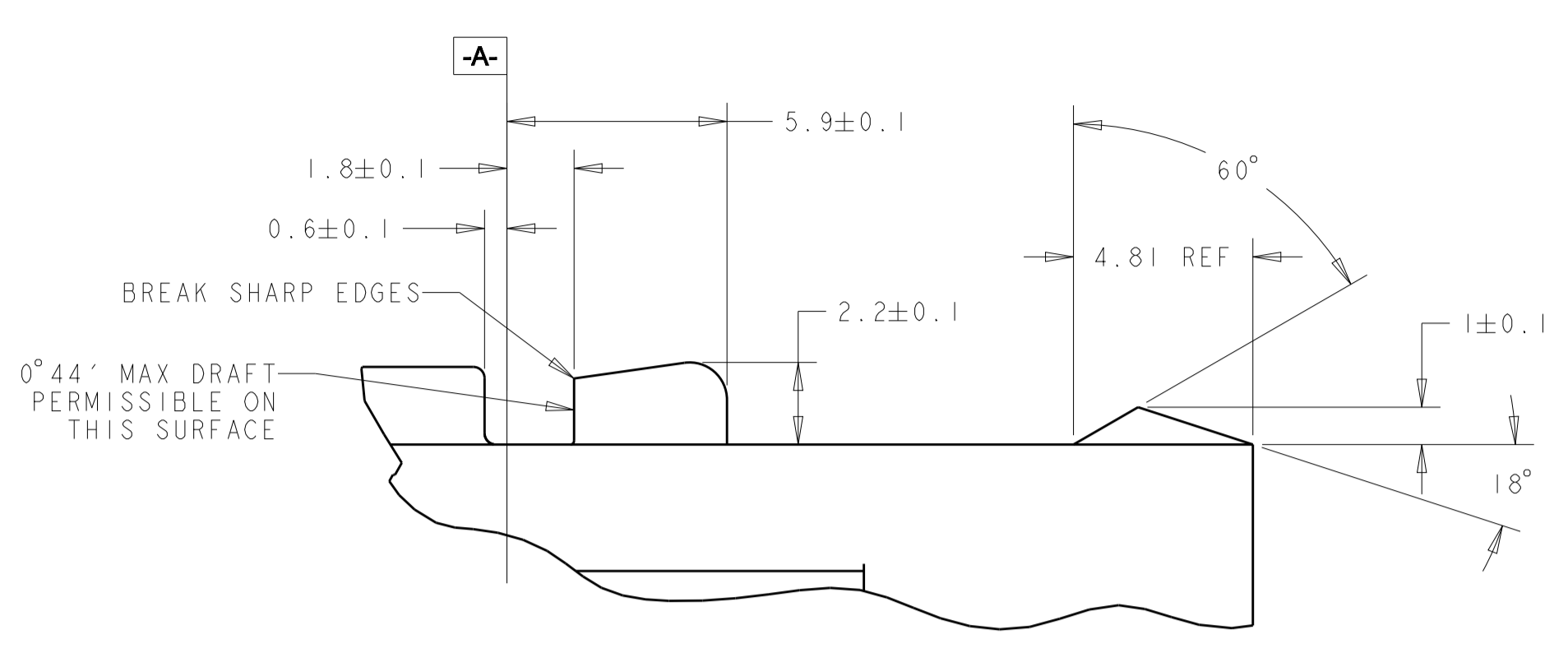
MATERIAL: -
 FINISH: -

Customer Drawing

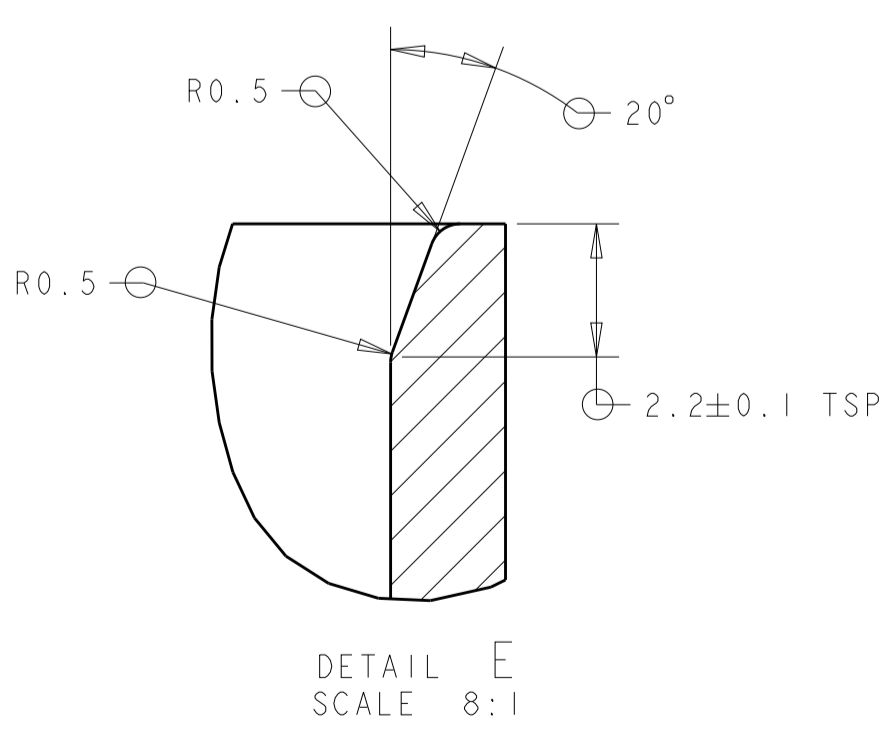
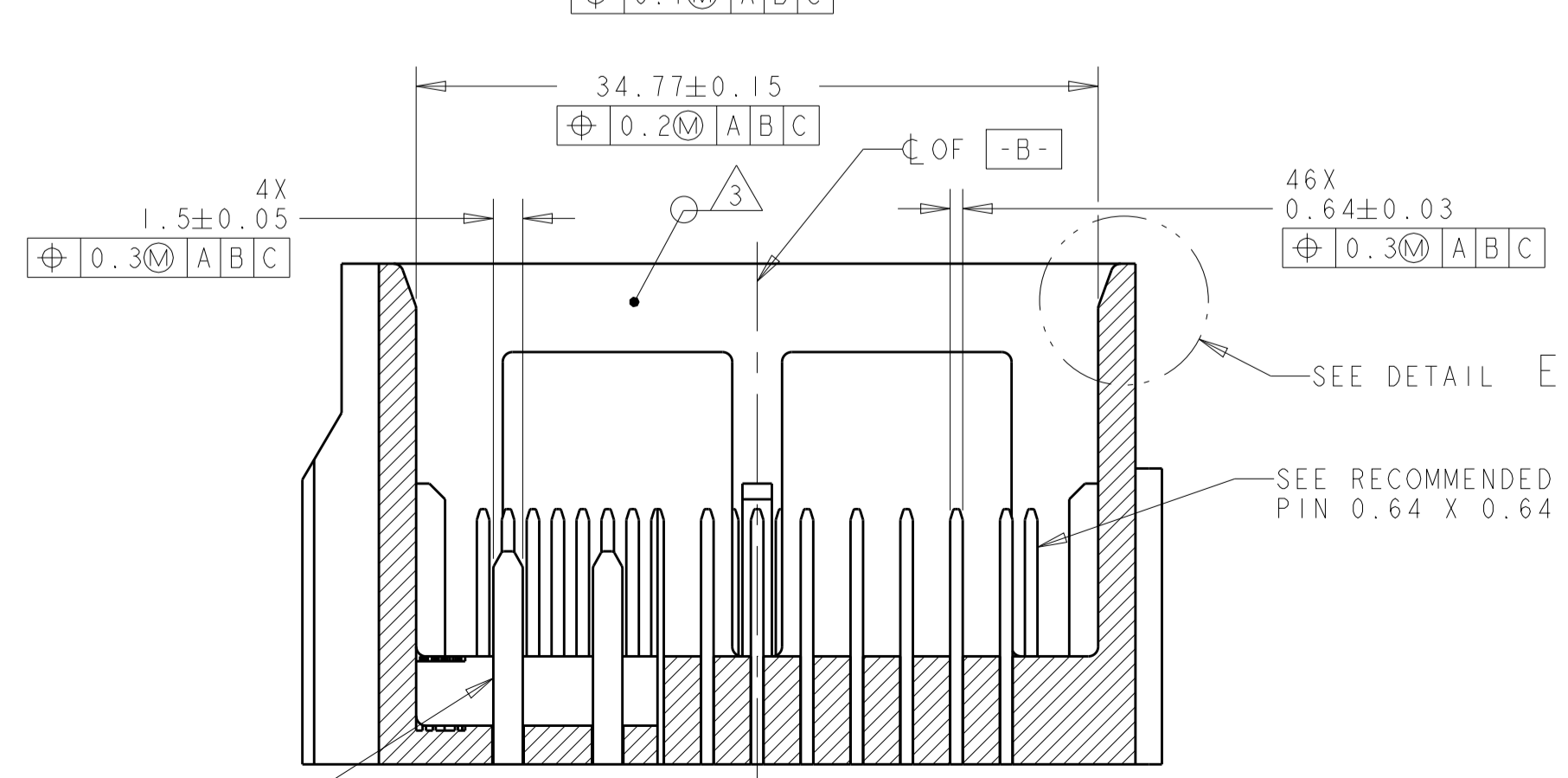
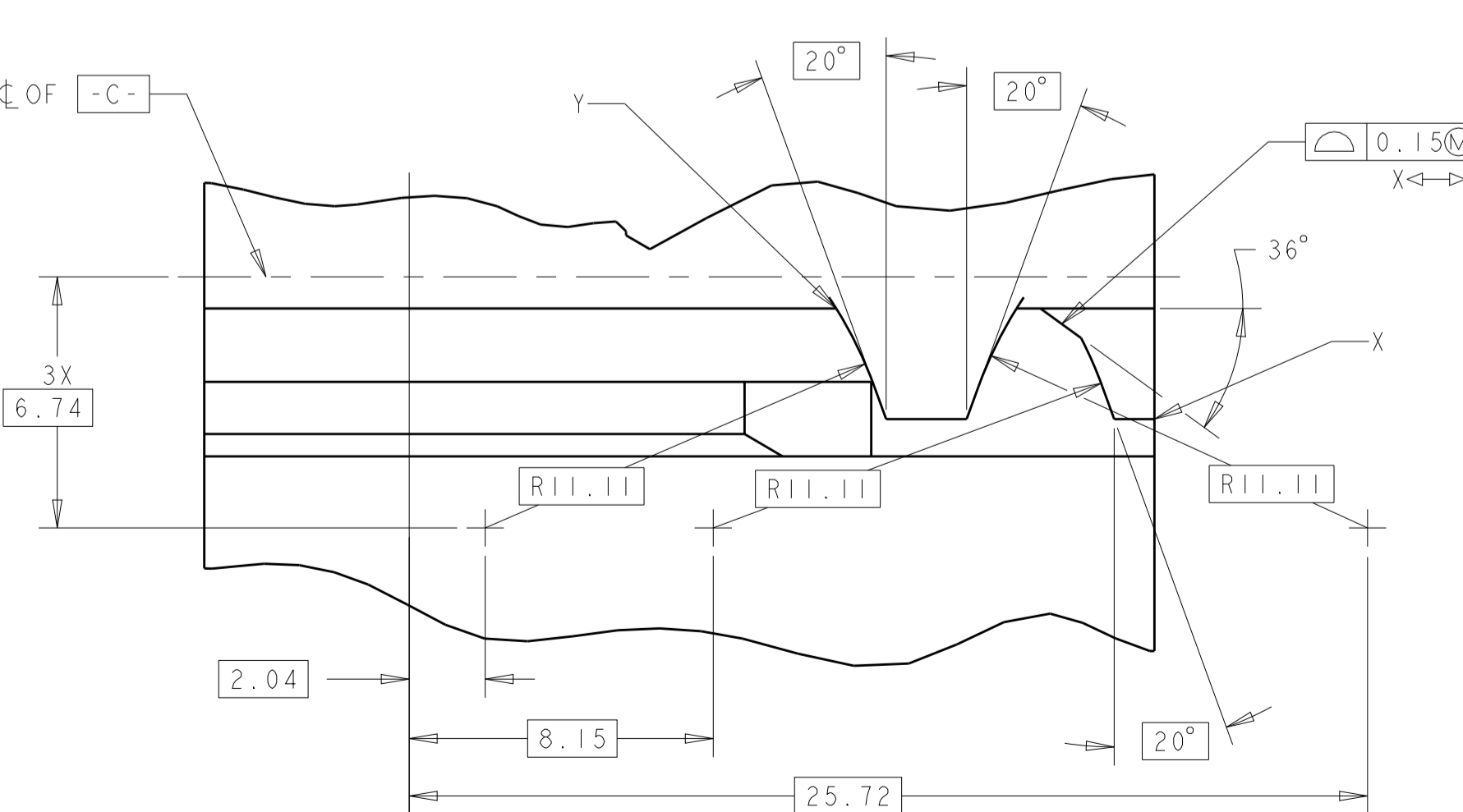
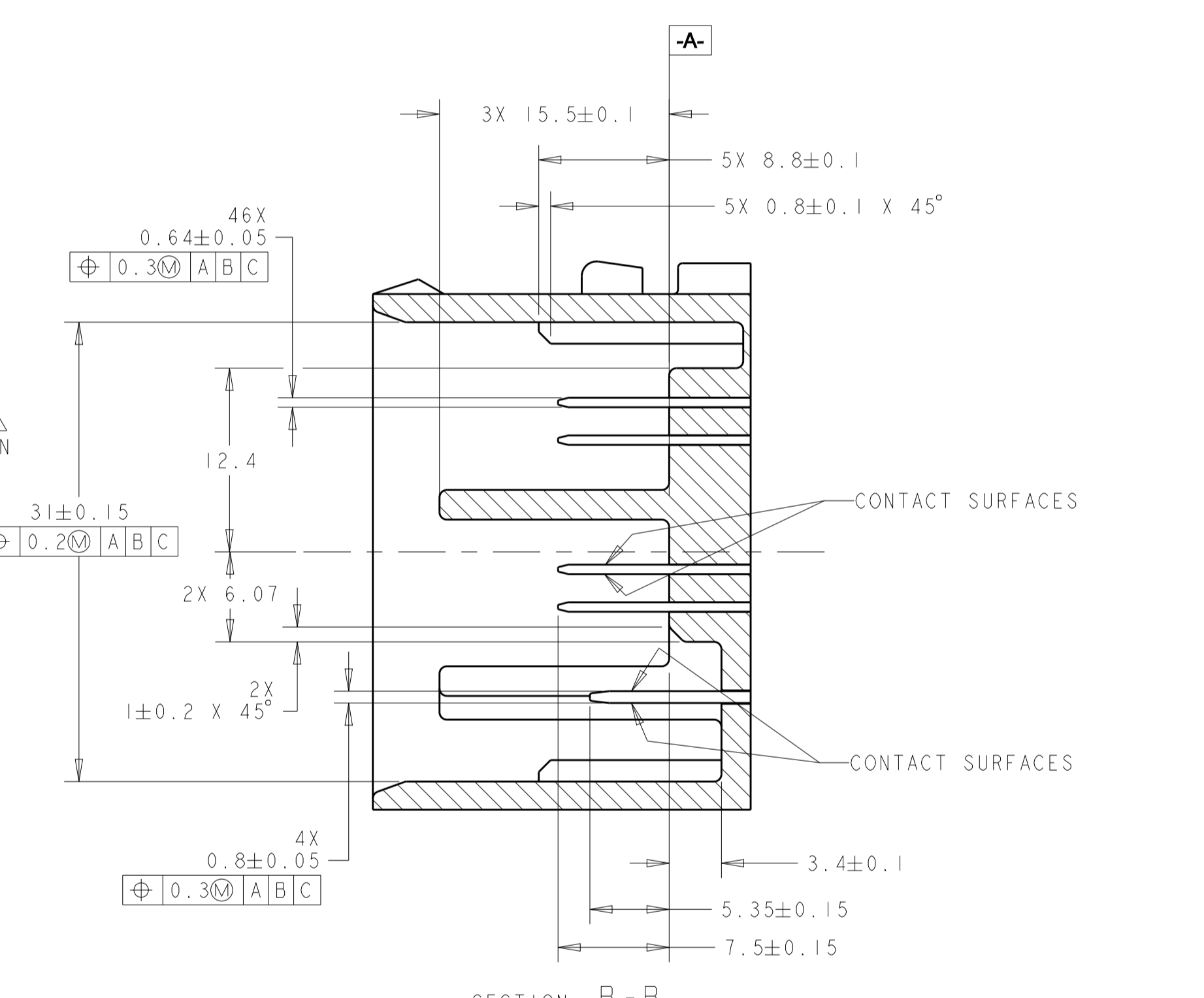
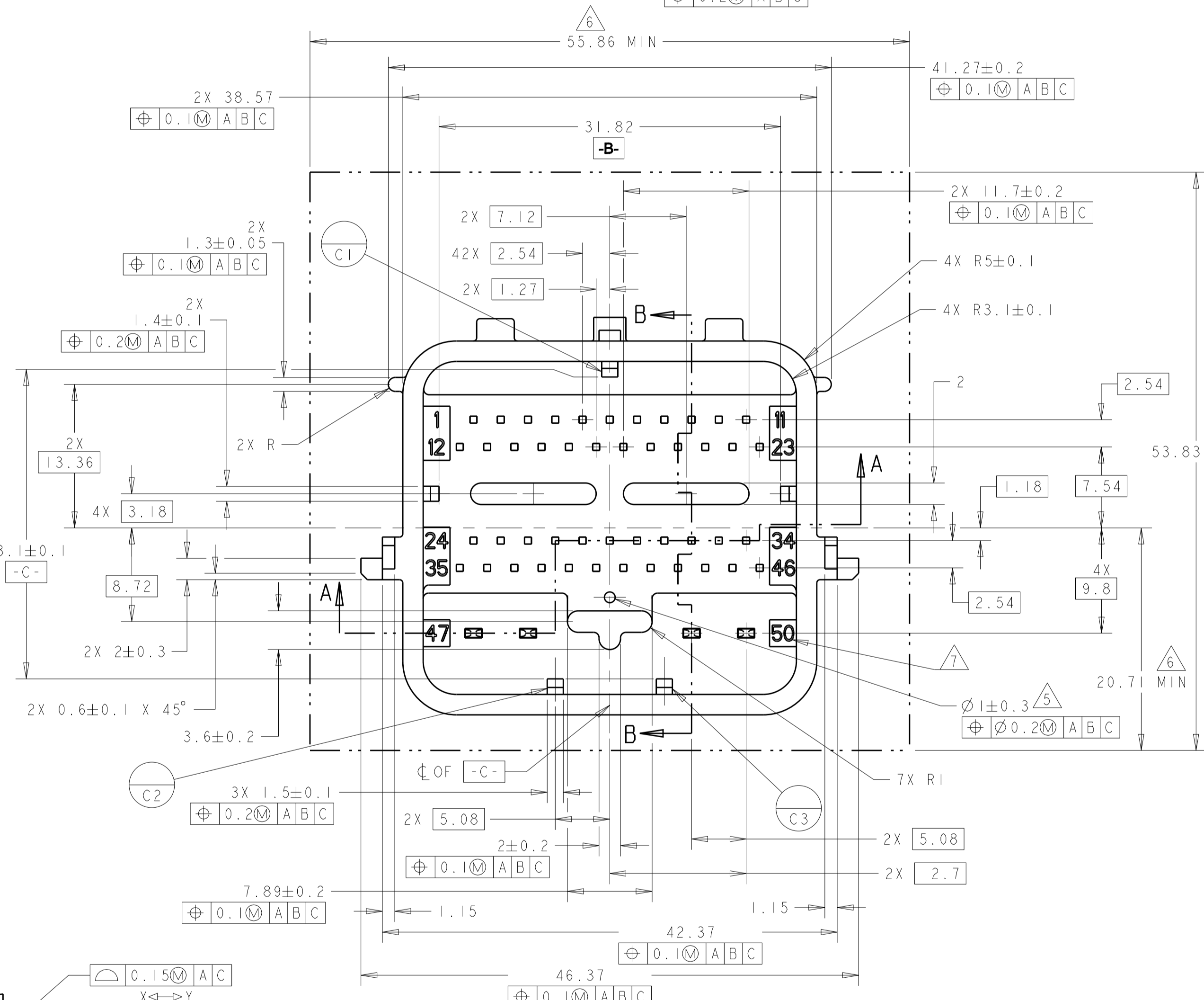
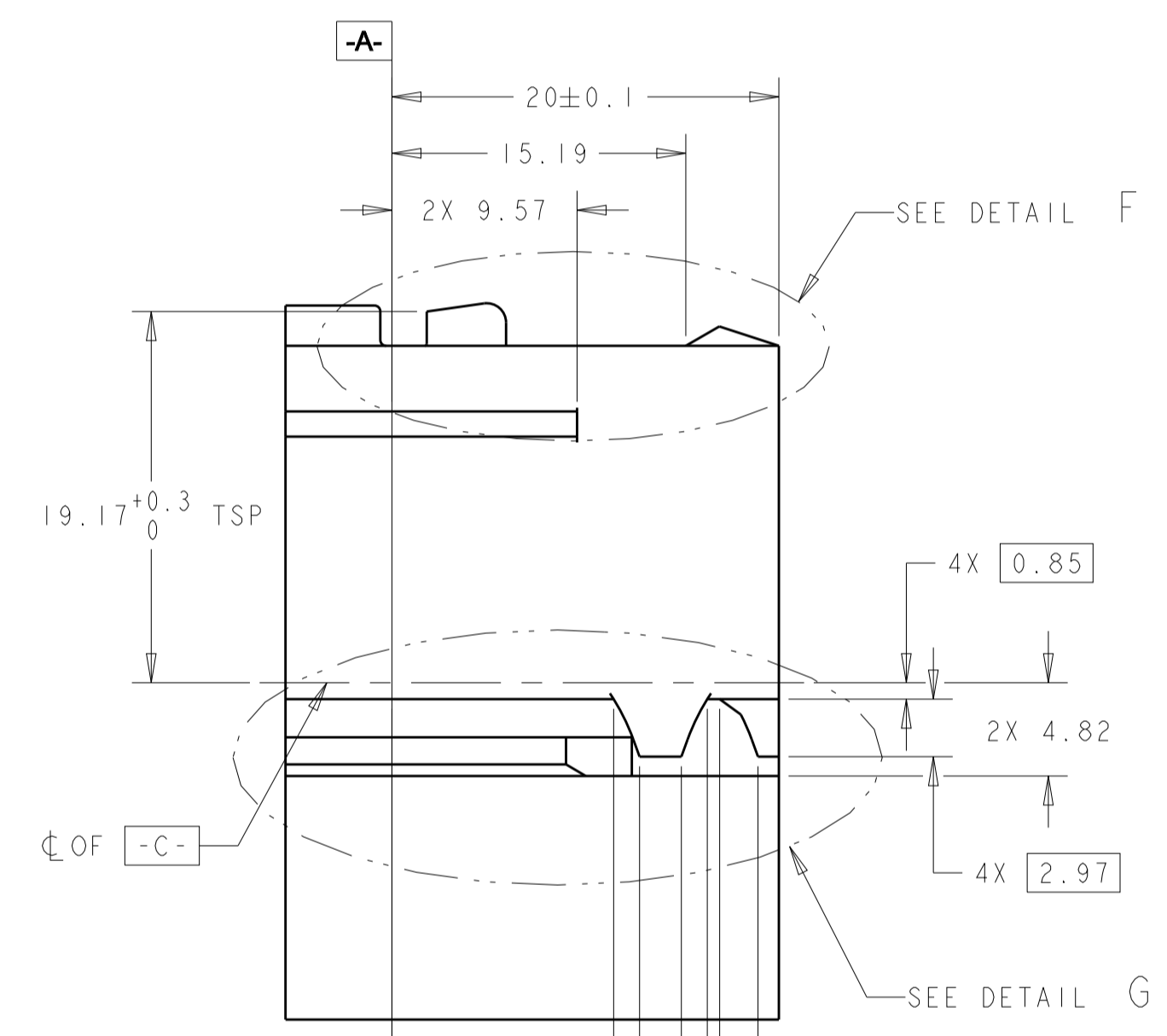
NAME: ASSEMBLY, 50-WAY, KEY A, PCM HARNESS
 SIZE: A100779 C=1438691
 SCALE: 2:1 SHEET 1 OF 4 REV: A16

APPLICABLE HEADER INTERFACE SPECIFICATION
 SHOWN WITHOUT KEYING OPTIONS

REVISIONS				
P.	LTN.	DESCRIPTION	DATE	APPV.
-	-	SEE SHEET 1	-	-



- NOTES: UNLESS OTHERWISE SPECIFIED
- GENERAL TOLERANCE:
 ± 0.3 ALL ONE PLACE DIMENSIONS
 ± 0.10 ALL TWO PLACE DIMENSIONS
 $\pm 1'00''$ ALL ANGULAR DIMENSIONS
 - DRAFT ANGLE PERMISSIBLE ONLY WITHIN DRAWING TOLERANCE.
 - SEALING SURFACE, NO WITNESS LINES OR DAMAGE PERMITTED.
 - ALL UNMARKED RADII TO BE 0.5 MAX., UNLESS OTHERWISE SPECIFIED.
 - VENT HOLE SIZE AND LOCATION IS OPTIONAL.
 - THIS AREA TO REMAIN CLEAR FOR THE HARNESS ASSEMBLY.
 - TERMINAL POSITION IDENTIFICATION.



THIS DRAWING IS A CONTROLLED DOCUMENT.		DWG: B_CRISAMORE 21JUL2004 CHK: M_HITCHCOCK 21JUL2004 APPV: C_MARTIN 21JUL2004		NAME	
DIMENSIONS:		TOLERANCES UNLESS OTHERWISE SPECIFIED:		PRODUCT SPEC	
mm		0 PLC ± 1 PLC ±0.3 2 PLC ±0.10 3 PLC ± 4 PLC ±		APPLICATION SPEC	
		ANGLES ±1'		SIZE: CAGE CODE: DRAWING NO: RESTRICTED TO	
MATERIAL		FINISH		WEIGHT	
-		-		A100779C=1438691	
Customer Drawing		SCALE 2:1		SHEET 2 OF 4	



ASSEMBLY,
 50-WAY, KEY A,
 PCM HARNESS

X-ON Electronics

Largest Supplier of Electrical and Electronic Components

Click to view similar products for [Automotive Connectors](#) category:

Click to view products by [TE Connectivity](#) manufacturer:

Other Similar products are found below :

[003-018-000](#) [600858](#) [60403001](#) [60993906-B](#) [60993913-B](#) [629515004020001](#) [M902-2131](#) [M902-2161](#) [M902-2344](#) [72.330.1035.1](#)
[73.353.4028.0](#) [F118010](#) [F119300-B](#) [F132210](#) [F132210-B](#) [F166900](#) [F180100](#) [F258300](#) [F258300-B](#) [F294300-B](#) [F339100](#) [F339700](#) [F358300-](#)
[B](#) [F374110](#) [F407400](#) [F412210](#) [F427600](#) [F444110](#) [F487000](#) [F495100-B](#) [F500900-B](#) [F509500B-B](#) [770444-1](#) [776880-1](#) [827153-1](#) [881735-1](#)
[8N1515-32-24P](#) [9-1326727-8](#) [9-1326729-8](#) [925467-1](#) [925474-1](#) [928905-1](#) [936398-2](#) [964562-1](#) [964562-4](#) [964731-2](#) [965051-1](#) [968782-1](#)
[GT17SA-8DS-HU](#) [GT17VS-10DP-5.2CF](#)