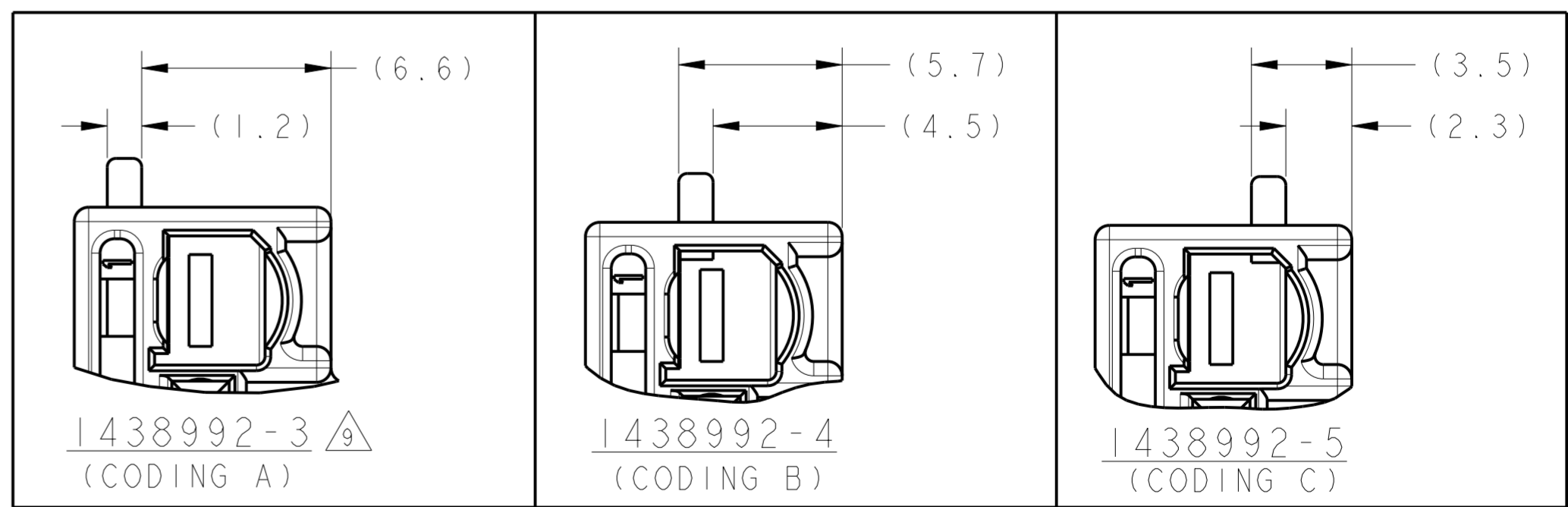
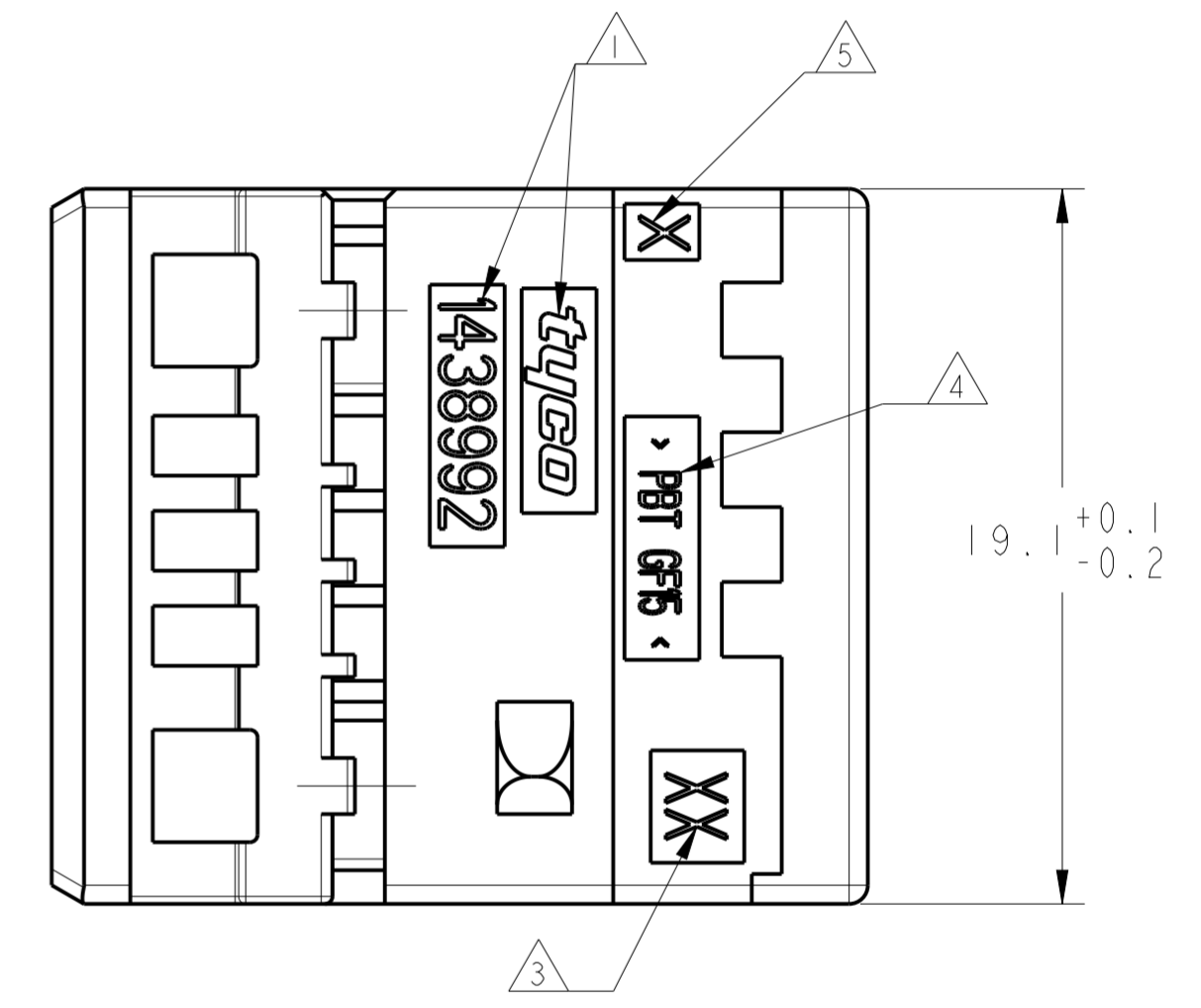
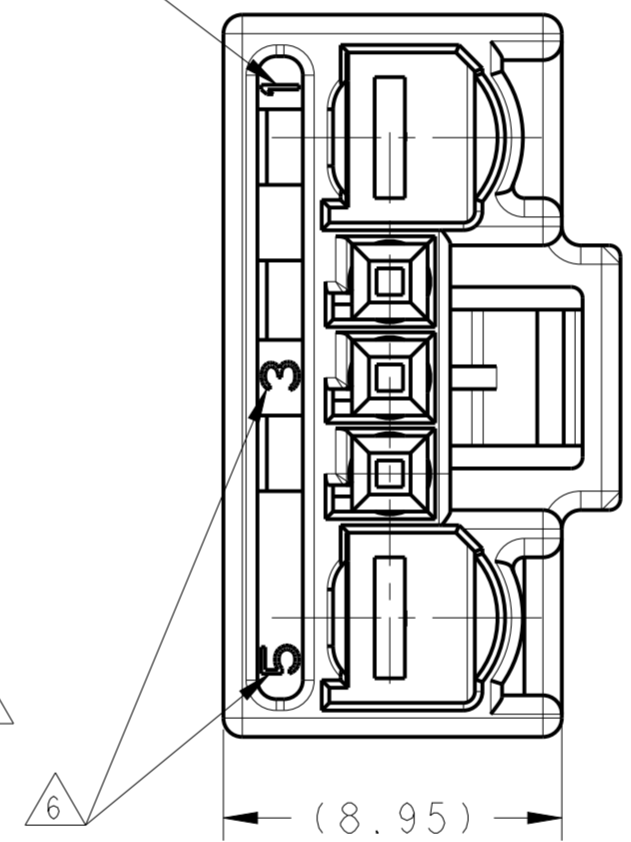
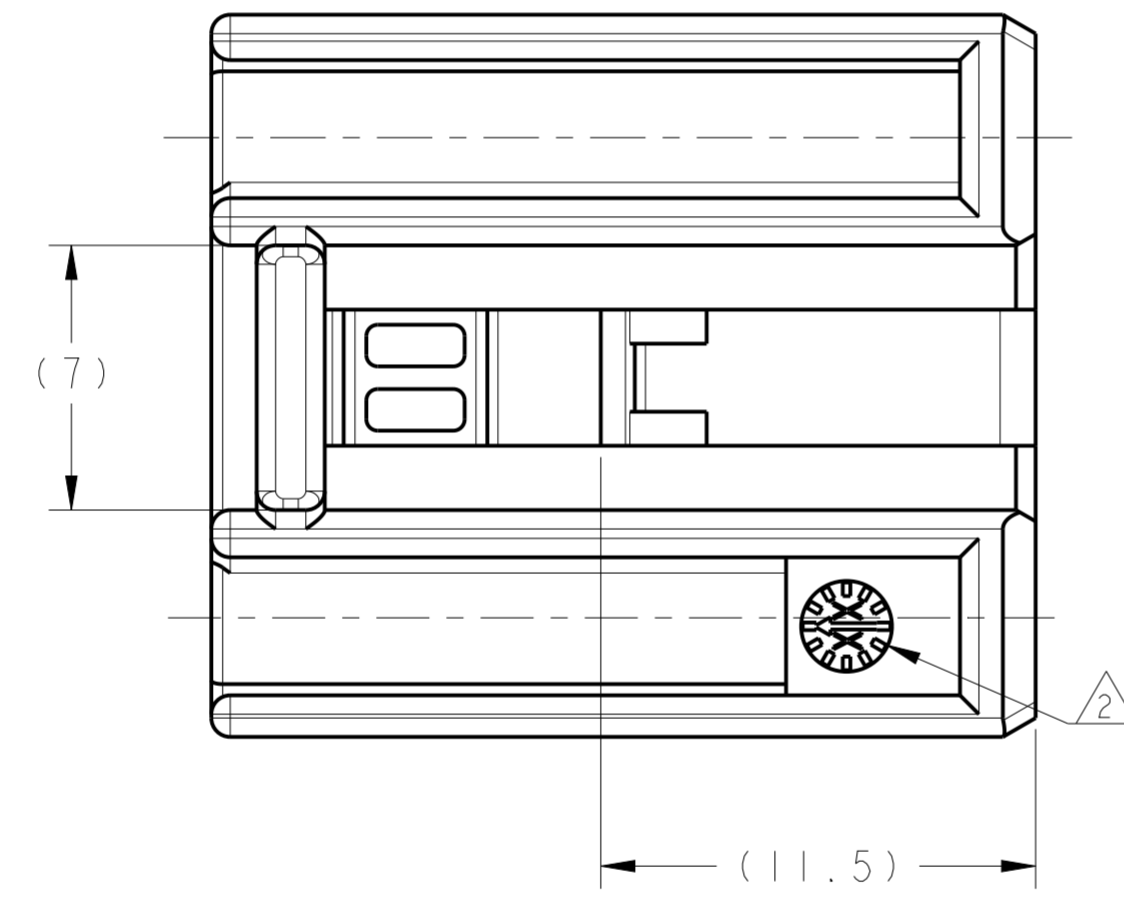
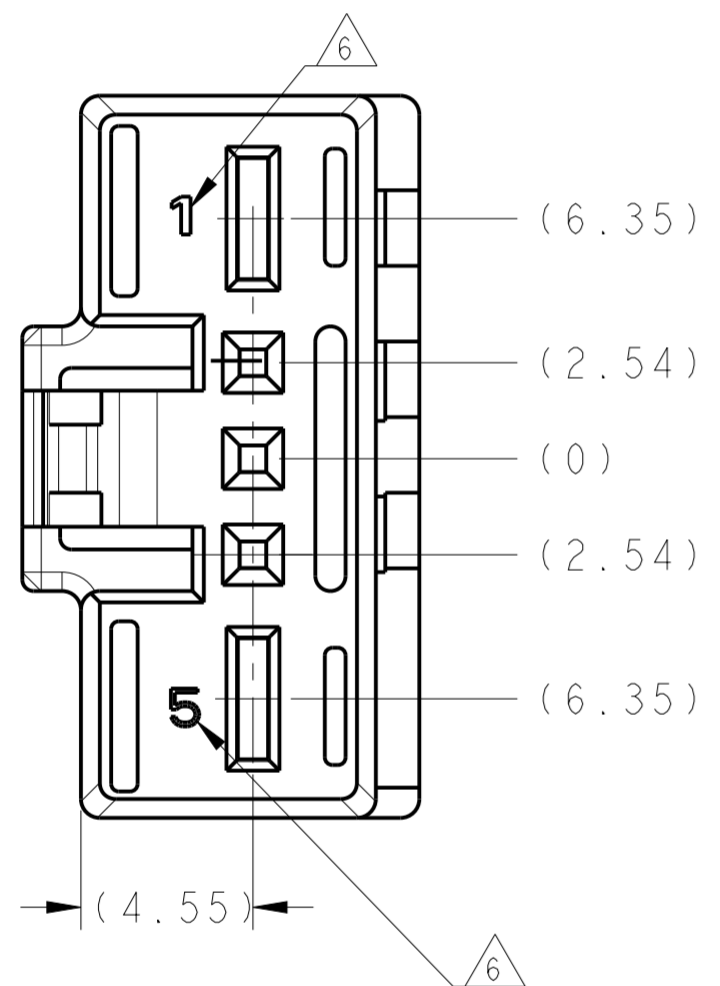
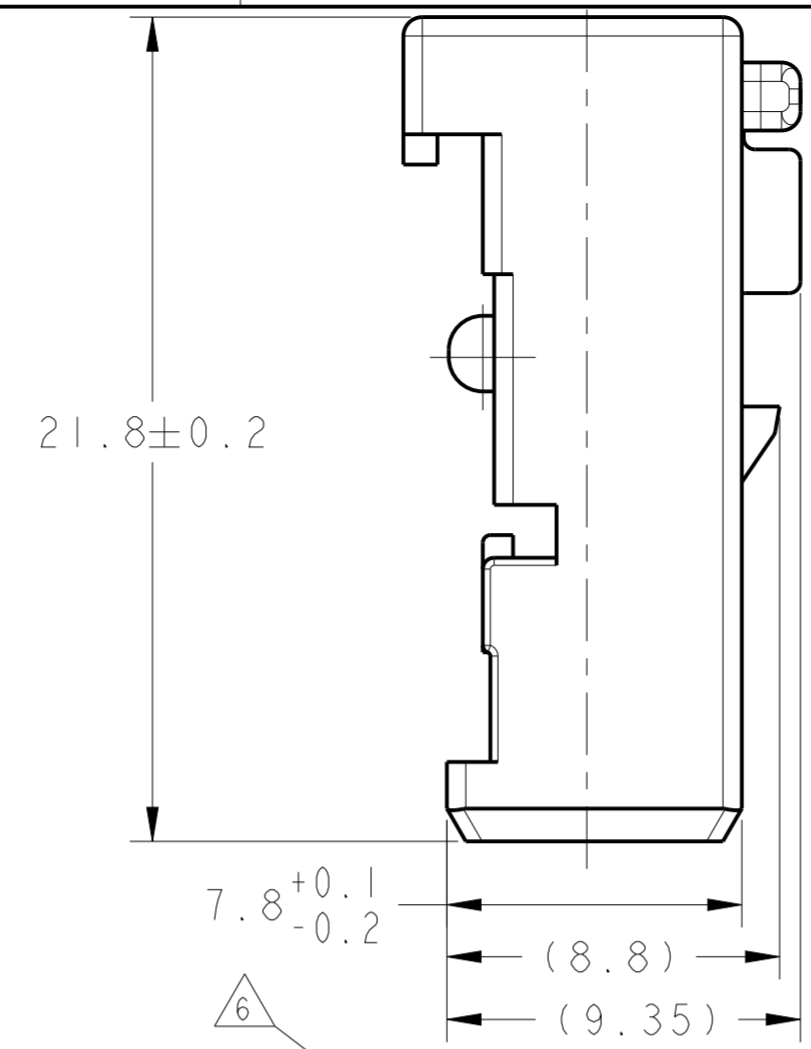


THIS DRAWING IS UNPUBLISHED. RELEASED FOR PUBLICATION 20
 © COPYRIGHT 20 BY - ALL RIGHTS RESERVED.

REVISIONS					
P	LTR	DESCRIPTION	DATE	DWN	APVD
A		REV PER ECR-07-004077, RELEASE -4,-5	22FEB2007	ML	JS
AI		REVISED PER ECO-14-005501	10APR2014	DD	JS

- NOTE(S):
- ① COMPANY LOGO & TE P/N 1438992
 - ② DATE CODE
 - ③ REVISION STATUS OF THE MOLD.
 - ④ MATERIAL IDENTIFICATION
 - ⑤ CAVITY NUMBER
 - ⑥ CIRCUIT IDENTIFICATION
 - 7. FOR THE CONNECTOR INTERFACE, SEE DRAWING 208-15621.
 - 8. CODING Z SHOWN
 - ⑨ PRELIMINARY, NOT RELEASED FOR PRODUCTION.
 - 10. COVER P/N 1379218-2 REQUIRED TO BE USED WITH THIS PART.



C	1438992-5	BLUE	
B	1438992-4	WHITE	
A	1438992-3	BLACK	⑨
NEUTRAL (Z)	1438992-2	WHITE	⑨
	1438992-1	BLACK	
KEY	TE P/N (REF. TE)	COLOR	

THIS DRAWING IS A CONTROLLED DOCUMENT.

DIMENSIONS: mm	TOLERANCES UNLESS OTHERWISE SPECIFIED:	DWN: M. HITCHCOCK 21FEB2005	 TE Connectivity
		CHK: B. BUCHTER 21FEB2005	
		APVD: R. ADAMS 21FEB2005	
		NAME: 5-WAY (MOS 3W + MPQ 2W) SOCKET HOUSING	
MATERIAL: PBT-GF10	FINISH: -	PRODUCT SPEC: 108-15315	RESTRICTED TO: -
		APPLICATION SPEC: -	SCALE: 5:1
		WEIGHT: 1.80g	SHEET: 1 OF 1
		CUSTOMER DRAWING	REV: AI

X-ON Electronics

Largest Supplier of Electrical and Electronic Components

Click to view similar products for [Automotive Connectors](#) category:

Click to view products by [TE Connectivity](#) manufacturer:

Other Similar products are found below :

[003-018-000](#) [600858](#) [60403001](#) [60993906-B](#) [60993913-B](#) [629515004020001](#) [M902-2131](#) [M902-2161](#) [M902-2344](#) [72.330.1035.1](#)
[73.353.4028.0](#) [F118010](#) [F119300-B](#) [F132210](#) [F132210-B](#) [F166900](#) [F180100](#) [F258300](#) [F258300-B](#) [F294300-B](#) [F339100](#) [F339700](#) [F358300-](#)
[B](#) [F374110](#) [F407400](#) [F412210](#) [F427600](#) [F444110](#) [F487000](#) [F495100-B](#) [F500900-B](#) [F509500B-B](#) [770444-1](#) [776880-1](#) [827153-1](#) [881735-1](#)
[8N1515-32-24P](#) [9-1326727-8](#) [9-1326729-8](#) [925467-1](#) [925474-1](#) [928905-1](#) [936398-2](#) [964562-1](#) [964562-4](#) [964731-2](#) [965051-1](#) [968782-1](#)
[GT17SA-8DS-HU](#) [GT17VS-10DP-5.2CF](#)