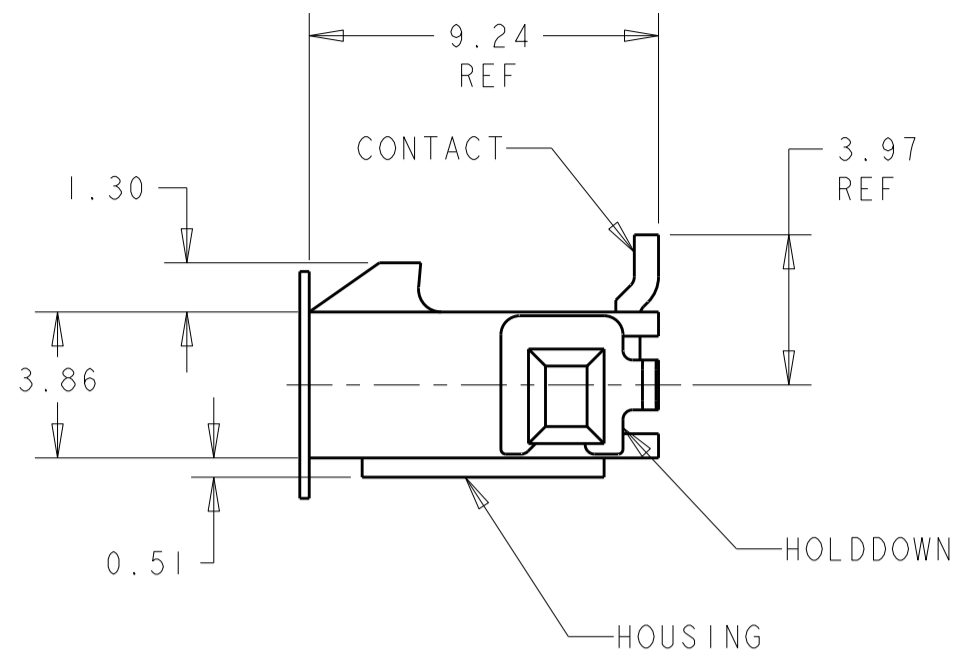
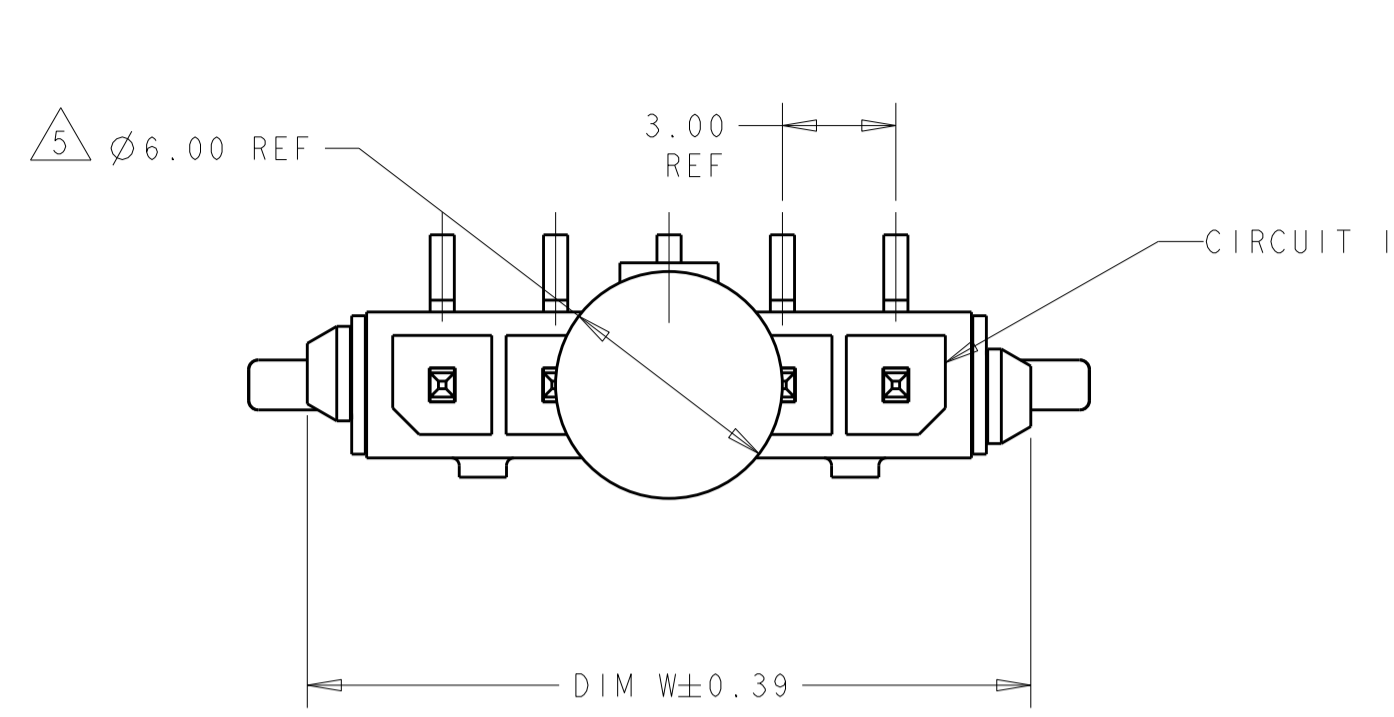
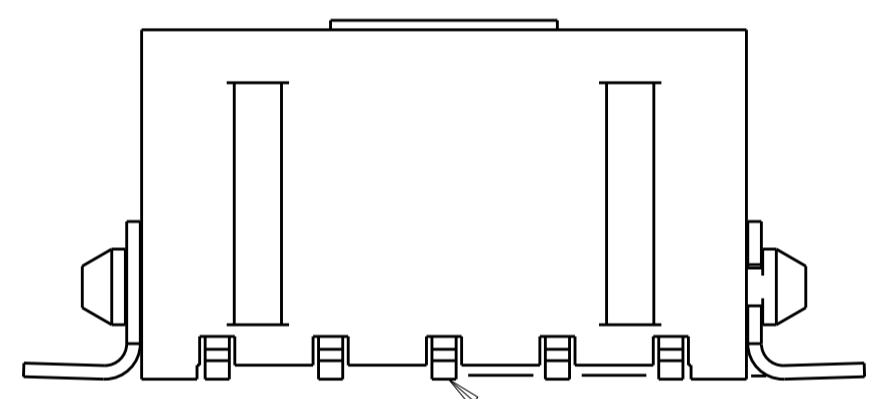


THIS DRAWING IS UNPUBLISHED. RELEASED FOR PUBLICATION 20  
 © COPYRIGHT 20 BY - ALL RIGHTS RESERVED.

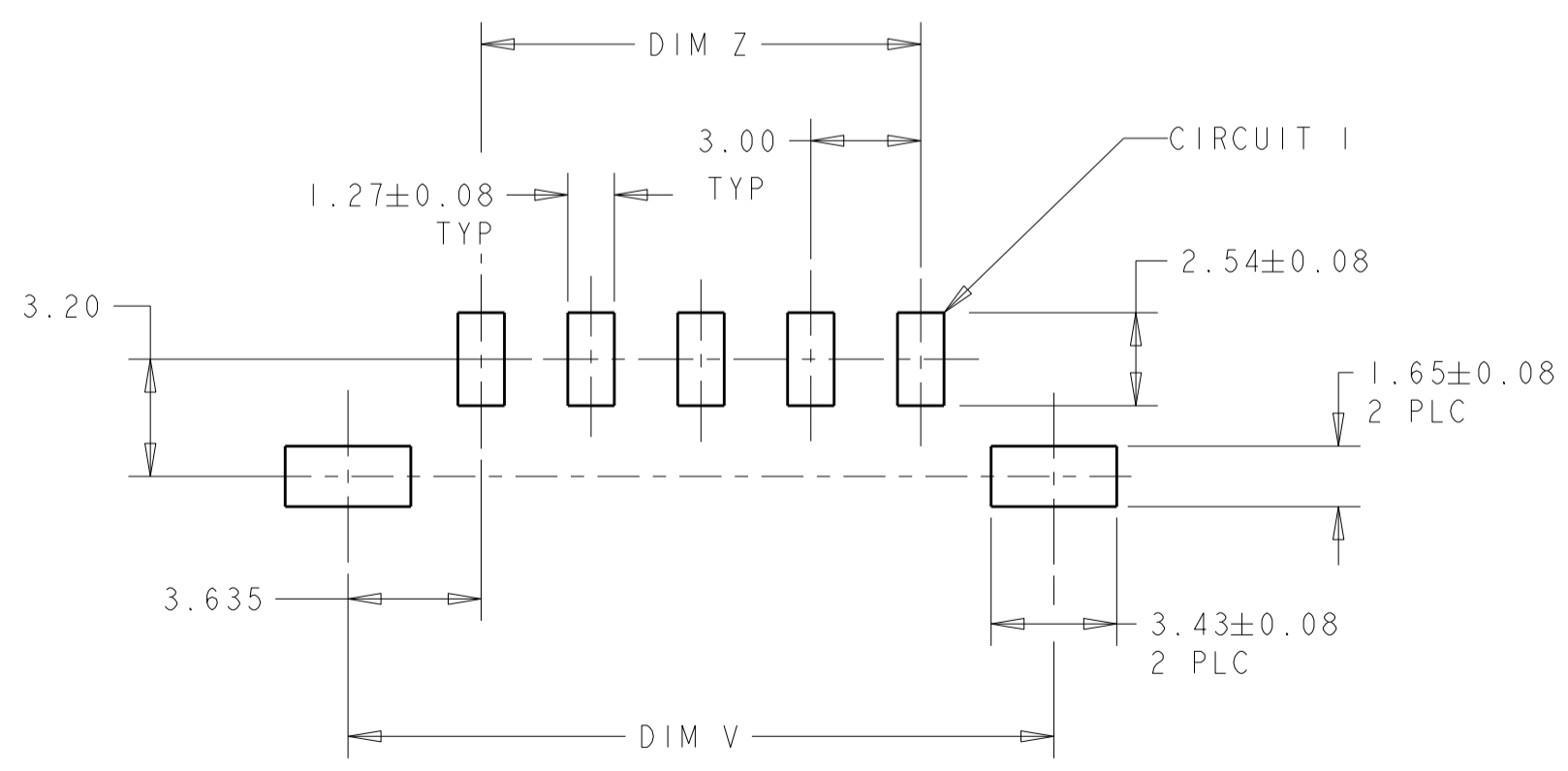
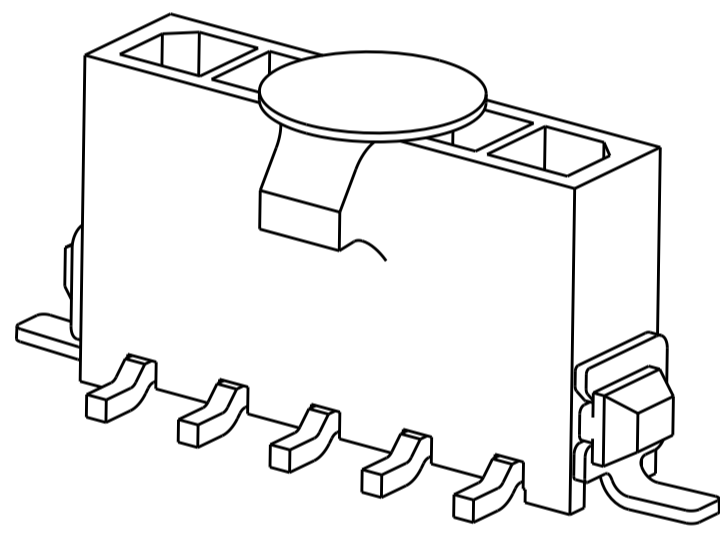
REVISIONS					
P	LTR	DESCRIPTION	DATE	DWN	APVD
	D2	REVISED PER ECR-16-011494	20JUN2017	NK	CX



- 1 MATERIAL: CONTACTS - BRASS  
HOUSING - UL 94V-0 RATED HIGH TEMP NYLON, COLOR BLACK.  
HOLDDOWNS: - PHOSPHOR BRONZE.
- 2 PLATING: CONTACTS - 0.38µm MINIMUM GOLD ON MATING END,  
2.54µm MINIMUM TIN LEAD ON SOLDER TAILS, BOTH OVER  
1.27µm MINIMUM NICKEL.  
HOLDDOWNS: 2.54µm MINIMUM TIN-LEAD OVER 1.27µm MINIMUM  
NICKEL.
- 4 RECOMMENDED PC BOARD THICKNESS OF 1.57.
- 5 KAPTON VACUUM PICK UP BUTTON.
- 6 PLATING: CONTACTS - 0.38µm MINIMUM GOLD ON MATING END,  
2.54µm MINIMUM MATTE TIN ON SOLDER TAILS, BOTH OVER  
1.27µm MINIMUM NICKEL.  
HOLDDOWNS: 2.54µm MINIMUM MATTE TIN OVER 1.27µm MINIMUM  
NICKEL.



0.15  
 INCLUDES CONTACT TAILS,  
 HOUSING STANDOFFS, AND  
 BOARDLOCKS



PCB LAYOUT COMPONENT SIDE 4

FINISH	DIM Z	DIM V	DIM W	NO. OF POSN	PART NUMBER	
6	33.00	40.41	40.00	12	3-1445087-2	
6	30.00	37.41	37.00	11	3-1445087-1	
6	27.00	34.41	34.00	10	3-1445087-0	
6	24.00	31.41	31.00	9	2-1445087-9	
6	21.00	28.41	28.00	8	2-1445087-8	
6	18.00	25.41	25.00	7	2-1445087-7	
6	15.00	22.41	22.00	6	2-1445087-6	
6	12.00	19.41	19.00	5	2-1445087-5	
6	9.00	16.41	16.00	4	2-1445087-4	
6	6.00	13.41	13.00	3	2-1445087-3	
2	3.00	10.41	10.00	2	2-1445087-2	
SUPERCEDED BY 3-1445087-2	2	33.00	40.41	40.00	12	—1445087-2—
SUPERCEDED BY 3-1445087-1	2	30.00	37.41	37.00	11	—1445087-1—
SUPERCEDED BY 3-1445087-0	2	27.00	34.41	34.00	10	—1445087-0—
SUPERCEDED BY 2-1445087-9	2	24.00	31.41	31.00	9	—1445087-9—
SUPERCEDED BY 2-1445087-8	2	21.00	28.41	28.00	8	—1445087-8—
SUPERCEDED BY 2-1445087-7	2	18.00	25.41	25.00	7	—1445087-7—
SUPERCEDED BY 2-1445087-6	2	15.00	22.41	22.00	6	—1445087-6—
SUPERCEDED BY 2-1445087-5	2	12.00	19.41	19.00	5	—1445087-5—
SUPERCEDED BY 2-1445087-4	2	9.00	16.41	16.00	4	—1445087-4—
SUPERCEDED BY 2-1445087-3	2	6.00	13.41	13.00	3	—1445087-3—
SUPERCEDED BY 2-1445087-2	2	3.00	10.41	10.00	2	—1445087-2—

THIS DRAWING IS A CONTROLLED DOCUMENT. DWN J.ROOT 09OCT2000  
 CHK K.WHITAKER 20-FEB-2001  
 APVD C.JONES 20-FEB-2001

TE Connectivity

VERTICAL SURFACE MOUNT HEADER ASSY,  
 15 MIC GOLD CONTACTS, SURFACE MOUNT,  
 HOLDDOWNS, SGL ROW, MICRO MATE-N-LOK™

SIZE A2 CAGE CODE 00779 DRAWING NO. 1445087  
 SCALE 5:1 SHEET 1 OF 1 REV D2

PRODUCT SPEC -  
 APPLICATION SPEC -  
 WEIGHT -

MATERIAL SEE TABLE

CUSTOMER DRAWING

## X-ON Electronics

Largest Supplier of Electrical and Electronic Components

*Click to view similar products for [Pin & Socket Connectors](#) category:*

*Click to view products by [TE Connectivity](#) manufacturer:*

Other Similar products are found below :

[6450822-1](#) [770392-1](#) [794042-1](#) [796885-1](#) [8-794535-1](#) [881459-2](#) [R929993003](#) [1-350779-3](#) [1403611-1](#) [1-480349-5](#) [1586092-1](#) [1586129-1](#)  
[1586487-1](#) [1586681-4](#) [1586700-1](#) [1586065-1](#) [1586077-1](#) [1586368-1](#) [1586380-1](#) [1586680-5](#) [1586681-2](#) [1604996-1](#) [16-06-0038](#) [164164-5](#) [1-](#)  
[6609930-1](#) [172296-1](#) [1-794714-6](#) [19-09-2035](#) [1969804-1](#) [200503-1](#) [200788-2](#) [201046-7](#) [202648-4](#) [2029076-2](#) [2029090-4](#) [2029095-4](#) [2-](#)  
[66102-6](#) [925061-7](#) [926681-1](#) [293734-4](#) [293737-2](#) [1-765362-4](#) [1-794606-3](#) [1871534-1](#) [1969795-1](#) [1969798-1](#) [1969800-1](#) [200833-4](#)  
[2008625-2](#) [2029027-2](#)