

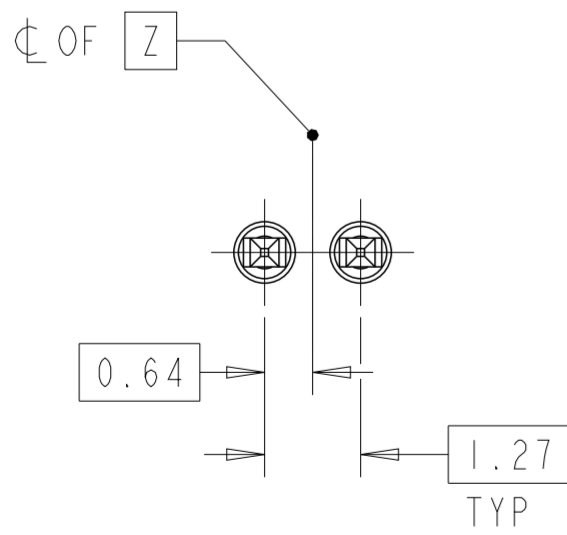
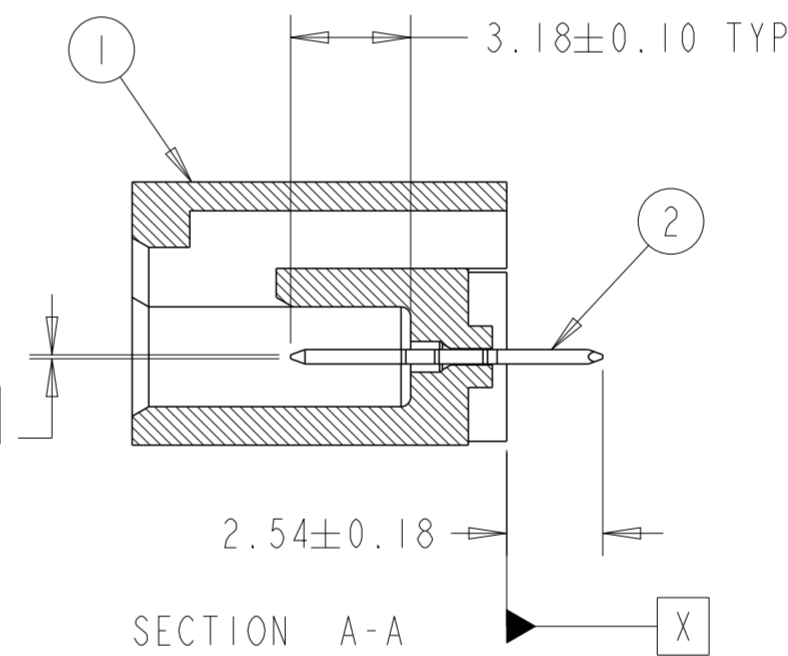
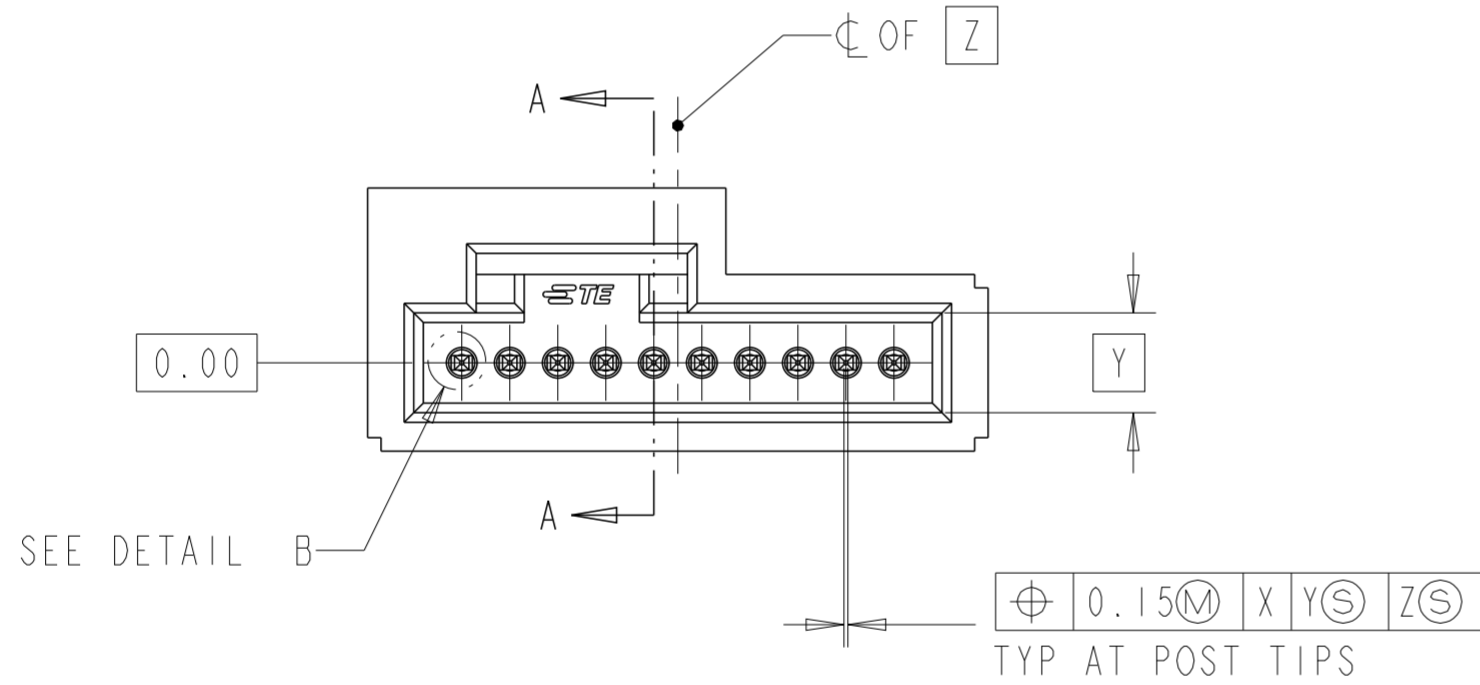
DETAIL B  
SCALE 20:1

1 FINISH: 0.00076 MIN GOLD PER 112-162-5 ON TOP AND BOTTOM ONLY IN LOCALIZED GOLD PLATE AREA AS SPECIFIED, GOLD FLASH PER 112-33-1 FOR A LENGTH OF 2.54 ON ALL SURFACES. 0.00381-0.00635 MATTE TIN LEAD PER 112-26-2 ON AREA AS INDICATED, UNDERPLATING TO BE 0.00127-0.00254 NICKEL PER 112-25-2 ON ENTIRE CONTACT, GOLD AND TIN MAY NOT OVERLAP

2 FINISH: 0.00003 MIN. GOLD PER 112-162-5 ON GOLD PLATED AREA, 0.00381-0.00635 MATTE TIN LEAD PER 112-26-2 ON TIN PLATE AREA, UNDERPLATING TO BE 0.00127-0.00254 NICKEL PER 112-25-2 ON ENTIRE CONTACT, GOLD AND TIN MAY NOT OVERLAP

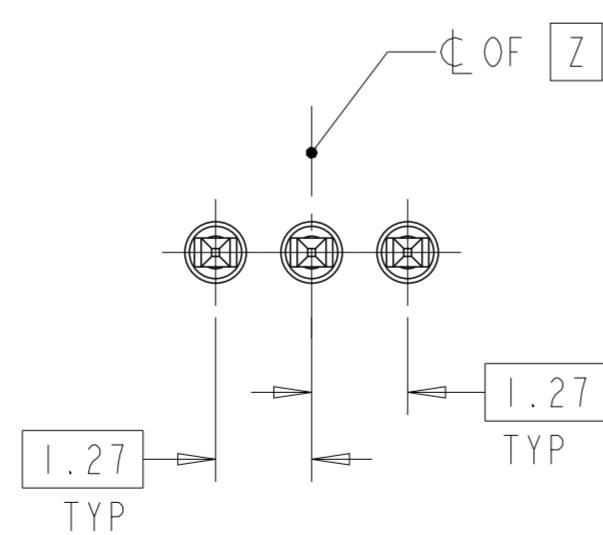
3 FINISH: 0.00076 MIN. GOLD PER 112-162-5 ON TOP AND BOTTOM ONLY IN LOCALIZED GOLD PLATE AREA AS SPECIFIED, GOLD FLASH PER 112-33-1 FOR A LENGTH OF 2.54 ON ALL SURFACES. 0.00381-0.00635 MATTE TIN PER 112-65-1 ON AREA AS INDICATED, UNDERPLATING TO BE 0.00127-0.00254 NICKEL PER 112-25-2 ON ENTIRE CONTACT, GOLD AND TIN MAY NOT OVERLAP

4 FINISH: 0.00003 MIN. GOLD PER 112-162-5 ON GOLD PLATED AREA, 0.00381-0.00635 MATTE TIN PER 112-65-1 ON TIN PLATE AREA, UNDERPLATING TO BE 0.00127-0.00254 NICKEL PER 112-25-2 ON ENTIRE CONTACT, GOLD AND TIN MAY NOT OVERLAP



BASIC DIMENSIONS FOR  
ODD NO OF SPACES  
(SEE TABLE)

SCALE 10:1




BASIC DIMENSIONS FOR  
EVEN NO OF SPACES  
(SEE TABLE)

SCALE 10:1

4	10	5-2267070-2	1	146086-1	9	10	7-146087-2
3	10	5-103917-2	1	146086-1	9	10	5-146087-1
2	10	2267070-2	1	146086-1	9	10	2-146087-1
1	10	103917-2	1	146086-1	9	10	146087-1
FINISH	QTY	CONTACT PART NO. 2	QTY	HOUSING PART NO. 1	NO. OF SPACES	NO. OF POSN	PART NO.

G	REV/REDRAWN PER ECO-17-001745	04DEC2017	MM	JO	
F	REVISED PER ECO-15-004125	22JUN2015	NK	JO	
P	LTR	REVISION RECORD	DATE	DWN	APVD

DIMENSIONS:		TOLERANCES UNLESS OTHERWISE SPECIFIED:	
mm		0 PLC	±
		1 PLC	±0.3
		2 PLC	±0.13
		3 PLC	±
		4 PLC	±
ANGLES: 0.5°		SURFACE TEXTURE	

DWN	16NOV2016	MATERIAL	HEAT TREAT
RL KOLLER		-	-
CHK	17NOV2016	 TE Connectivity	
J. OLSON			
APVD	18NOV2016		
J. OLSON		NAME: HEADER ASSEMBLY, VERTICAL, SINGLE ROW, W/ SHROUDED SIDE LATCH, AMPMODU SYSTEM 50	
SCALE	5:1	SIZE	A2
DRAWING NO	146087	SHEET	1 OF 1
REV	G		

## X-ON Electronics

Largest Supplier of Electrical and Electronic Components

*Click to view similar products for [Board to Board & Mezzanine Connectors](#) category:*

*Click to view products by [TE Connectivity](#) manufacturer:*

Other Similar products are found below :

[10135583-642402LF](#) [89885-310LF](#) [589158040000018](#) [6-1393048-0](#) [68683-613](#) [MDF7-12DP-2.54DSA](#) [MDF7-18P-2.54DSA\(01\)](#) [MDF7-20DP-2.54DSA](#) [MDF7-26D-2.54DSA\(55\)](#) [MDF7-3P-2.54DSA\(01\)](#) [MDF7B-3P-2.54DSA\(55\)](#) [MDF7C-11P-2.54DSA\(55\)](#) [MDF7C-18P-2.54DSA\(55\)](#) [MDF7C-5P-2.54DSA\(01\)](#) [MDF7P-5P-2.54DSA\(55\)](#) [75234-0516](#) [FCN-230C068-11](#) [FCN-268F012-G/BD](#) [FCN-268F036-G/BD](#) [FCN-268M012-G/0D](#) [FCN-268M024-G/1D](#) [FCN-360C008-C](#) [FCN-360C040-C](#) [FCN-723J004/1](#) [MIS-048-01-F-D-DP-K](#) [832-10-034-10-001000](#) [93696-325LF](#) [11828-1FA](#) [AXK630345P](#) [18097-0013](#) [ICA-328STT](#) [2007042-2](#) [304400-2](#) [FCN-214Q030-G/0](#) [FCN-215Q040-G/0](#) [FCN-230C068-ESA](#) [FCN-234P048-G/0](#) [FCN-235D050-G/C](#) [FCN-360A3](#) [FCN-360C040-B](#) [210-93-314-41-105000](#) [2-22603-0](#) [379-064-521-202](#) [MDF7-12P-2.54DSA\(01\)](#) [MDF7-16P-2.54DS\(56\)](#) [MDF7-40DP-2.54DSA\(55\)](#) [MDF7-8P-2.54DSA\(55\)](#) [MDF7B-16P-2.54DSA\(55\)](#) [AXG720047](#) [5031084030](#)