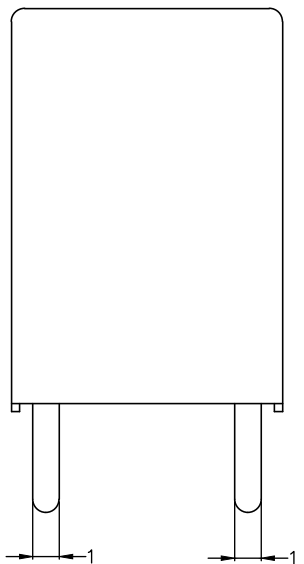
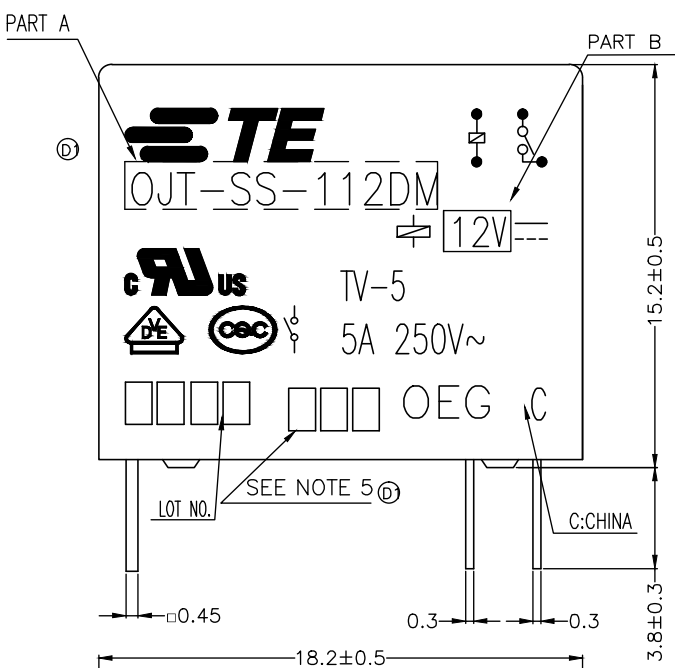
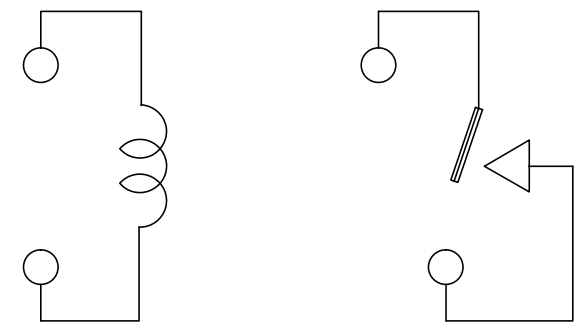
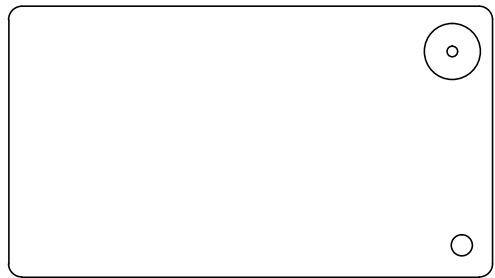


THIS DRAWING IS UNPUBLISHED. RELEASED FOR PUBLICATION  
 © COPYRIGHT - By -TE CONNECTIVITY ALL RIGHTS RESERVED.

LOC	DIST	REVISIONS					
HB	-	P	LTR	DESCRIPTION	DATE	DWN	APVD
		D1		CHANGE LOGO&ADD LINE IDENTIFICATION ECO-12-001771	21Aug2012	YS.H	BH.Y
		E		UNIFY THE GROOVE OF GLUE ECO-15-012528	21Aug2012	YS.H	CSM



CONNECTION FIGURE

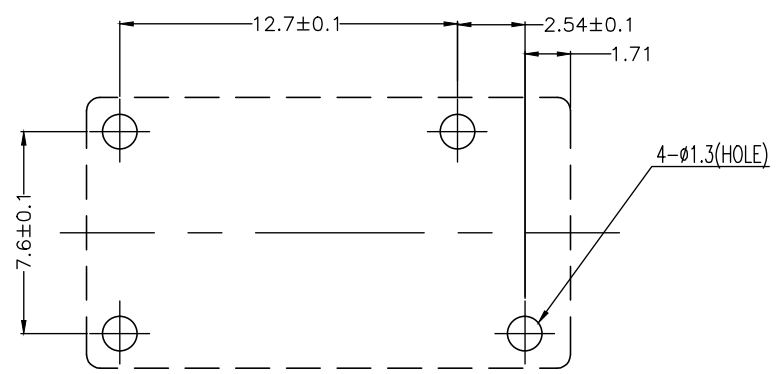
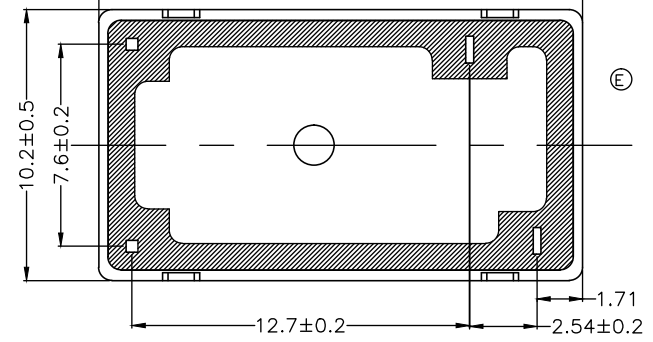


FIGURE FOR PRINTED CIRCUIT BOARD PROCESSING (BOTTOM VIEW)

Diagram dimension	Tolerance
0.99mm max.	±0.1mm
1 - 2.99mm	±0.2mm
3mm min.	±0.3mm



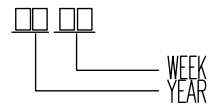
THIS DRAWING IS A CONTROLLED DOCUMENT.		DWN	Fu,Bo	-	TE Connectivity OJT-S*-1**DM,000 CUSTOMER DRAWING		
DIMENSIONS: mm		CHK	Zhang,XN	-			
TOLERANCES UNLESS OTHERWISE SPECIFIED:		APVD	Yang,Wen	-			
0 PLC ± - 1 PLC ± - 2 PLC ± - 3 PLC ± - 4 PLC ± - ANGLES ± - FINISH ± -		PRODUCT SPEC	SEE SPEC TABLE				
MATERIAL	-	APPLICATION SPEC	-		NAME	-	
		WEIGHT	-		SIZE	A3	
		CUSTOMER DRAWING			CAGE CODE	00779	
					DRAWING NO	C=1461116	
					RESTRICTED TO	-	
		SCALE	5:1	SHEET	1 OF 2	REV	E

THIS DRAWING IS UNPUBLISHED. RELEASED FOR PUBLICATION -.-  
 © COPYRIGHT - By -TE CONNECTIVITY ALL RIGHTS RESERVED.

LOC	DIST	REVISIONS					
HB	-	P	LTR	DESCRIPTION	DATE	DWN	APVD
		-		SEE SHEET 1	-	-	-

1-1461116-6	QJT-SH-148DM	48V	QJT-SH-148DM	P
1-1461116-5	QJT-SH-124DM	24V	QJT-SH-124DM	o
1-1461116-4	QJT-SH-118DM	18V	QJT-SH-118DM	n
1461116-1	QJT-SH-112DM	12V	QJT-SH-112DM	m
1-1461116-2	QJT-SH-109DM	9V	QJT-SH-109DM	l
1-1461116-1	QJT-SH-106DM	6V	QJT-SH-106DM	k
1-1461116-0	QJT-SH-105DM	5V	QJT-SH-105DM	j
1461116-9	QJT-SH-103DM	3V	QJT-SH-103DM	i
1461116-8	QJT-SS-148DM	48V	QJT-SS-148DM	h
1461116-7	QJT-SS-124DM	24V	QJT-SS-124DM	g
1461116-6	QJT-SS-118DM	18V	QJT-SS-118DM	f
1-1461116-3	QJT-SS-112DM	12V	QJT-SS-112DM	e
1461116-5	QJT-SS-109DM	9V	QJT-SS-109DM	d
1461116-4	QJT-SS-106DM	6V	QJT-SS-106DM	c
1461116-3	QJT-SS-105DM	5V	QJT-SS-105DM	b
1461116-2	QJT-SS-103DM	3V	QJT-SS-103DM	a
TE PART NO	TE TYPE NAME	PART B	PART A	TYPE

① NOTES:  
 1.LOT NO. SYSTEM AS FOLLOWING:



- ② 2.TERMINAL DIMENSION IS BEFORE SOLDER DIP;
- ③ 3.FOR THE TIN-PLATING OF THE PINS:  
 +0.1mm FOR WIDTH,THICKENSS AND DIAMETER.  
 +0.5mm FOR LENGTH.
- ④ 4.MARKING FROM INK TO LASER.

- ⑤ 5.ADD LOT NO. SYSTEM AS FOLLOWING;
- RELAY TYPE
- I, DIGITS FOR DAY OF THE WEEK  
 1...MONDAY IN THIS WEEK;  
 2...TUESDAY IN THIS WEEK;  
 .....  
 7...SUNDAY IN THIS WEEK
- II, DIGITS FOR SHIFT OF THE DAY  
 1...DAY SHIFT IN THIS DAY;  
 2...NIGHT SHIFT IN THIS DAY;
- III, ONE CHARACTER DISTINGUISH THE LINE IDENTITY, SUCH AS: A,B.....Z

		UV RESIN	SEAL (VENT HOLE)	16
		EPOXY RESIN	SEAL (BASE & BOBBIN)	15
		3UEW	MAGNETIC WIRE	14
94V-0		P.B.T	CASE	13
94V-0		P.B.T	BASE	12
94V-0		P.B.T	BOBBIN	11
	SOLDER DIP	C.P WIRE	COIL TERMINAL	10
94V-0		P.B.T	CARD	9
		Ag ALLOY	MOVABLE CONTACT	8
		Ag ALLOY	NO.CONTACT	7
		STEEL	HINGE SPRING	6
	SOLDER DIP	PBP	NO.TERMINAL	5
	SOLDER DIP	Cu ALLOY	MOVABLE SPRING	4
	Cu-Ni PLATED	STEEL	CORE	3
	Cu-Ni PLATED	STEEL	ARMATURE	2
	Cu-Ni PLATED	STEEL	YOKE	1
INCOMBUSTIBILITY	TREATMENT	MATERIAL	DESCRIPTION	ITEM

THIS DRAWING IS A CONTROLLED DOCUMENT.		DWN	Fu,Bo	-
DIMENSIONS: mm		CHK	Zhang,XN	-
TOLERANCES UNLESS OTHERWISE SPECIFIED:		APVD	Yang,Wen	-
	0 PLC	± -	NAME	
	1 PLC	± -	OJT-S*-1**DM,000 CUSTOMER DRAWING	
	2 PLC	± -	-	
	3 PLC	± -	-	
4 PLC	± -	PRODUCT SPEC		
ANGLES	± -	APPLICATION SPEC		
MATERIAL	FINISH	WEIGHT	SIZE	CAGE CODE
-	-	-	A3	00779
CUSTOMER DRAWING			DRAWING NO	RESTRICTED TO
			©=1461116	-
			SCALE	SHEET
			5:1	2 OF 2
			REV	E

## X-ON Electronics

Largest Supplier of Electrical and Electronic Components

*Click to view similar products for [General Purpose Relays](#) category:*

*Click to view products by [TE Connectivity](#) manufacturer:*

Other Similar products are found below :

[APF30318](#) [JVN1AF-4.5V-F](#) [PCN-105D3MHZ](#) [5JO-10000S-SIL](#) [5JO-1000CD-SIL](#) [5JO-400CD-SIL](#) [LY2S-AC220/240](#) [LYQ20DC12](#)  
[6031007G](#) [6131406HQ](#) [6-1393099-3](#) [6-1393099-8](#) [6-1393122-4](#) [6-1393123-2](#) [6-1393767-1](#) [6-1393843-7](#) [6-1415012-1](#) [6-1419102-2](#) [6-](#)  
[1423698-4](#) [6-1608051-6](#) [6-1608067-0](#) [6-1616170-6](#) [6-1616248-2](#) [6-1616282-3](#) [6-1616348-2](#) [6-1616350-1](#) [6-1616350-8](#) [6-1616358-7](#) [6-](#)  
[1616359-9](#) [6-1616360-9](#) [6-1616931-6](#) [6-1617039-1](#) [6-1617052-1](#) [6-1617090-2](#) [6-1617090-5](#) [6-1617347-5](#) [6-1617353-3](#) [6-1617801-8](#) [6-](#)  
[1617802-2](#) [6-1618107-9](#) [6-1618248-4](#) [M83536/1-027M](#) [CX-4014](#) [MAHC-5494](#) [MAVCD-5419-6](#) [703XCX-120A](#) [7-1393100-5](#) [7-1393111-7](#)  
[7-1393144-5](#) [7-1393767-8](#)