

THIS DRAWING IS UNPUBLISHED. RELEASED FOR PUBLICATION 20  
 © COPYRIGHT 20 BY TYCO ELECTRONICS CORPORATION. ALL RIGHTS RESERVED.

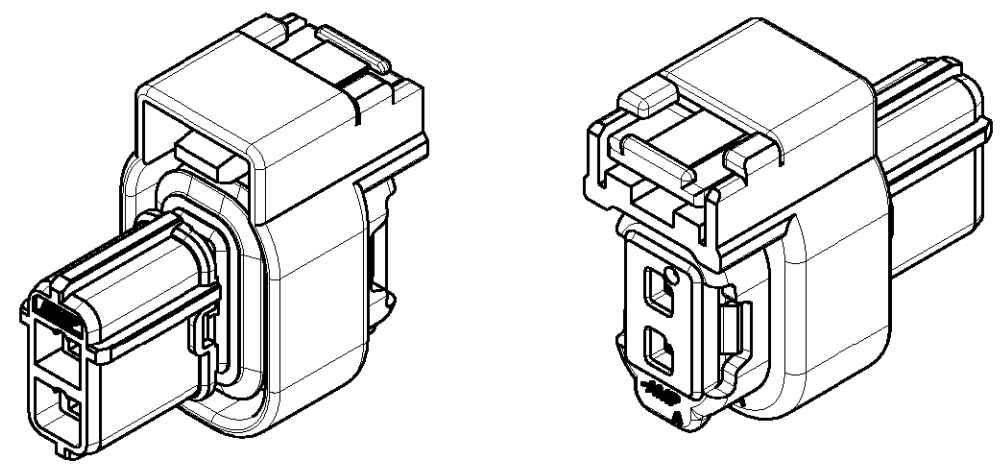
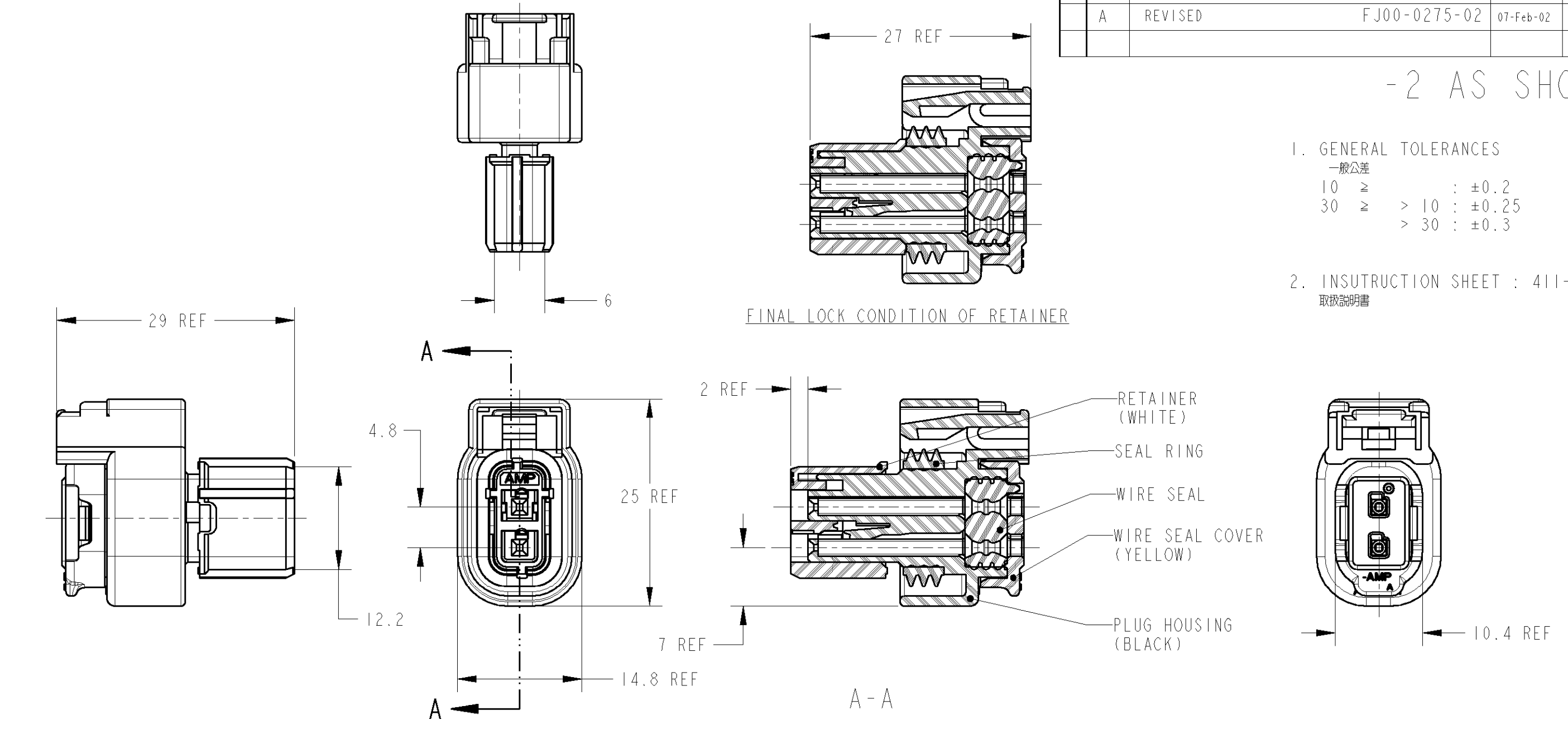
LOC	DIST	REVISIONS						
		P	LTR	DESCRIPTION	ECN	DATE	DWN	APVD
J	-	0		RELEASED	FJ00-2574-01	01-Nov-01	Y.F	K.A
		01		REVISED	FJ00-0174-02	29-Jan-02	Y.N	K.A
		A		REVISED	FJ00-0275-02	07-Feb-02	Y.F	K.A

- 2 AS SHOWN

1. GENERAL TOLERANCES  
 一般公差  
 10 ≥ : ±0.2  
 30 ≥ > 10 : ±0.25  
 > 30 : ±0.3

2. INSUTRUCION SHEET : 411-78021  
 取扱説明書

FINAL LOCK CONDITION OF RETAINER



THIS DRAWING IS A CONTROLLED DOCUMENT FOR TYCO ELECTRONICS CORPORATION  
 IT IS SUBJECT TO CHANGE AND THE CONTROLLING ENGINEERING ORGANIZATION  
 SHOULD BE CONTACTED FOR THE LATEST REVISION.

DIMENSIONS:	TOLERANCES UNLESS OTHERWISE SPECIFIED:
単位: 毫 mm	一般公差
	0 PLC ±
	1 PLC ±0.5
	2 PLC ±0.13
	3 PLC ±0.013
	4 PLC ±0.0001
	ANGLES ±3'00"

MATERIAL 材料	PBT	FINISH 仕上	BLACK
----------------	-----	--------------	-------

DWN	Y. FUJIWARA	01NOV01
CHK	Y. NOGUCHI	01NOV01
APVD	K. ASAI	01NOV01
PRODUCT SPEC	108-5763	
APPLICATION SPEC	114-5278	
WEIGHT	4.5g	

WIRE RANGE 包含電線断面積	0.3~0.5 SQ	INSULATION DIA 被覆外径	1.4~1.7 DIA
		Tyco Electronics AMP K.K. Kawasaki, Japan	
NAME 名称 PLUG HOUSING ASSY 2 POS (A) CLEAN BODY 025 CONNECTOR			
SIZE	A3	CAGE CODE	00779
DRAWING NO	C=1473845		
RESTRICTED TO			
SCALE 尺度	2:1	SHEET	1 OF 1
REV	A		

## X-ON Electronics

Largest Supplier of Electrical and Electronic Components

*Click to view similar products for [Automotive Connectors](#) category:*

*Click to view products by [TE Connectivity](#) manufacturer:*

Other Similar products are found below :

[003-018-000](#) [600858](#) [60403001](#) [60993906-B](#) [60993913-B](#) [629515004020001](#) [M902-2131](#) [M902-2161](#) [M902-2344](#) [72.330.1035.1](#)  
[73.353.4028.0](#) [F118010](#) [F119300-B](#) [F132210](#) [F132210-B](#) [F166900](#) [F180100](#) [F258300](#) [F258300-B](#) [F294300-B](#) [F339100](#) [F339700](#) [F358300-](#)  
[B](#) [F374110](#) [F407400](#) [F412210](#) [F427600](#) [F444110](#) [F487000](#) [F495100-B](#) [F500900-B](#) [F509500B-B](#) [770444-1](#) [776880-1](#) [827153-1](#) [881735-1](#)  
[8N1515-32-24P](#) [9-1326727-8](#) [9-1326729-8](#) [925467-1](#) [925474-1](#) [928905-1](#) [936398-2](#) [964562-1](#) [964562-4](#) [964731-2](#) [965051-1](#) [968782-1](#)  
[GT17SA-8DS-HU](#) [GT17VS-10DP-5.2CF](#)