

THIS DRAWING IS UNPUBLISHED. RELEASED FOR PUBLICATION
 (C) COPYRIGHT 19 BY AMP INCORPORATED. ALL RIGHTS RESERVED.

LOC	DIST	REVISIONS					
DF	XO	P	LTR	DESCRIPTION	DATE	DWN	APVD
		0		RELEASED	10-01	CT	RG

COMPONENT	MATERIAL	FINISH
HOUSING CLAMP NUT COUPLING NUT	STAINLESS STEEL PER ASTM-A-484 OR ASTM-A-582 TYPE 303	PASSIVATED PER QQ-P-35
DIELECTRIC	PTFE FLUOROCARBON PER ASTM-D-1457	-
CENTER CONTACT	BERYLLIUM COPPER PER ASTM-B-196 OR ASTM-B-197 ALLOY C17300, CONDITION H	GOLD PLATED PER ASTM-B-488
INNER SLEEVE	BRASS PER ASTM-B-16 1/2 HARD	GOLD PLATED PER ASTM-B-488
RETAINING RING	BERYLLIUM COPPER PER ASTM-B-196 OR ASTM-B-197 ALLOY C17300, CONDITION H	NICKEL PLATED PER QQ-N-290
"O"-RING GASKET	SILICONE RUBBER PER ZZ-R-765	-
SHRINK TUBING	HEAT SHRINKABLE POLYOLEFIN COMPOUND PER MIL-I-23053/4	-
FERRULE	COPPER OR BRASS ALLOY ROCKWELL F65 MAX	GOLD PLATED PER ASTM-B-488

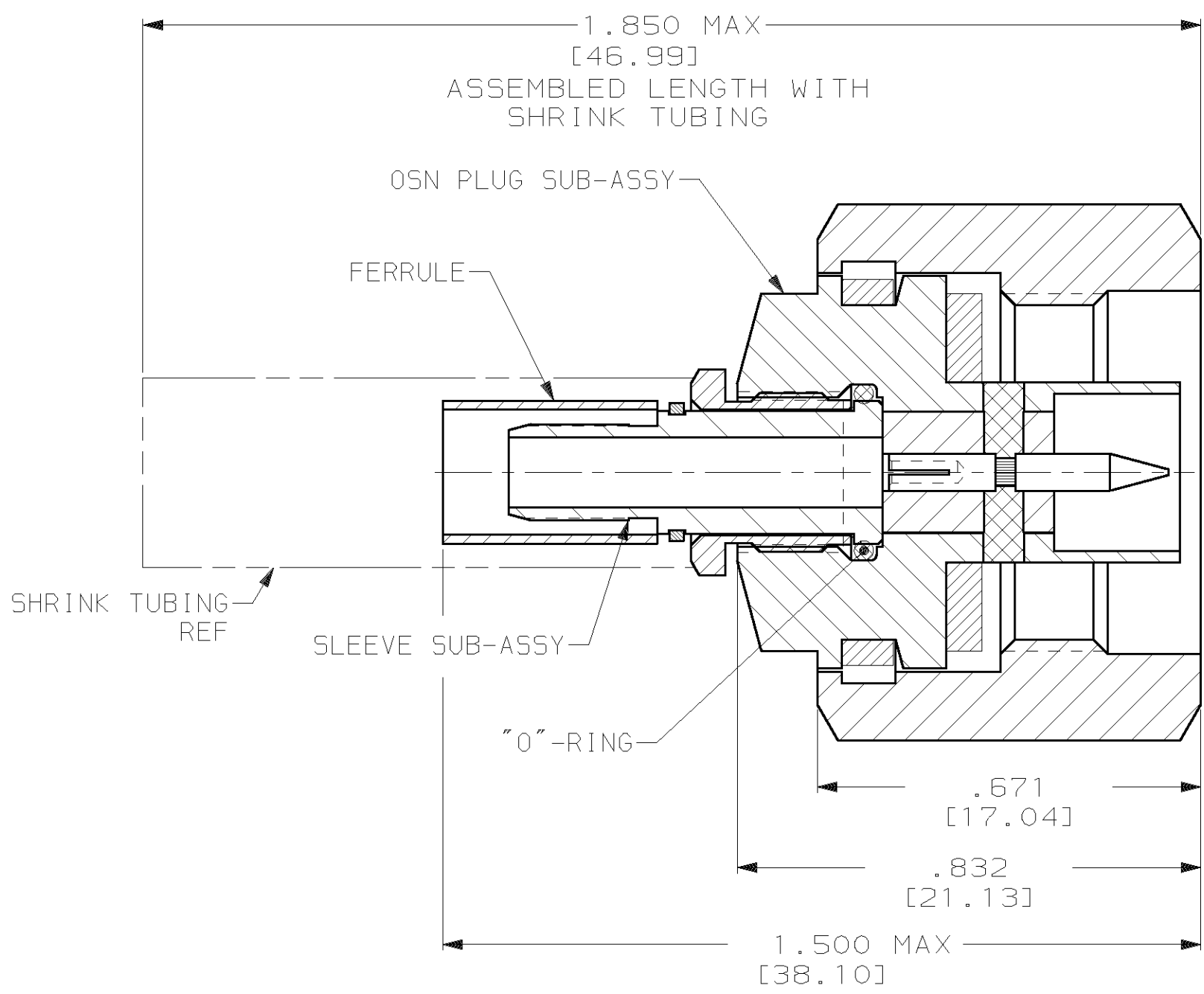
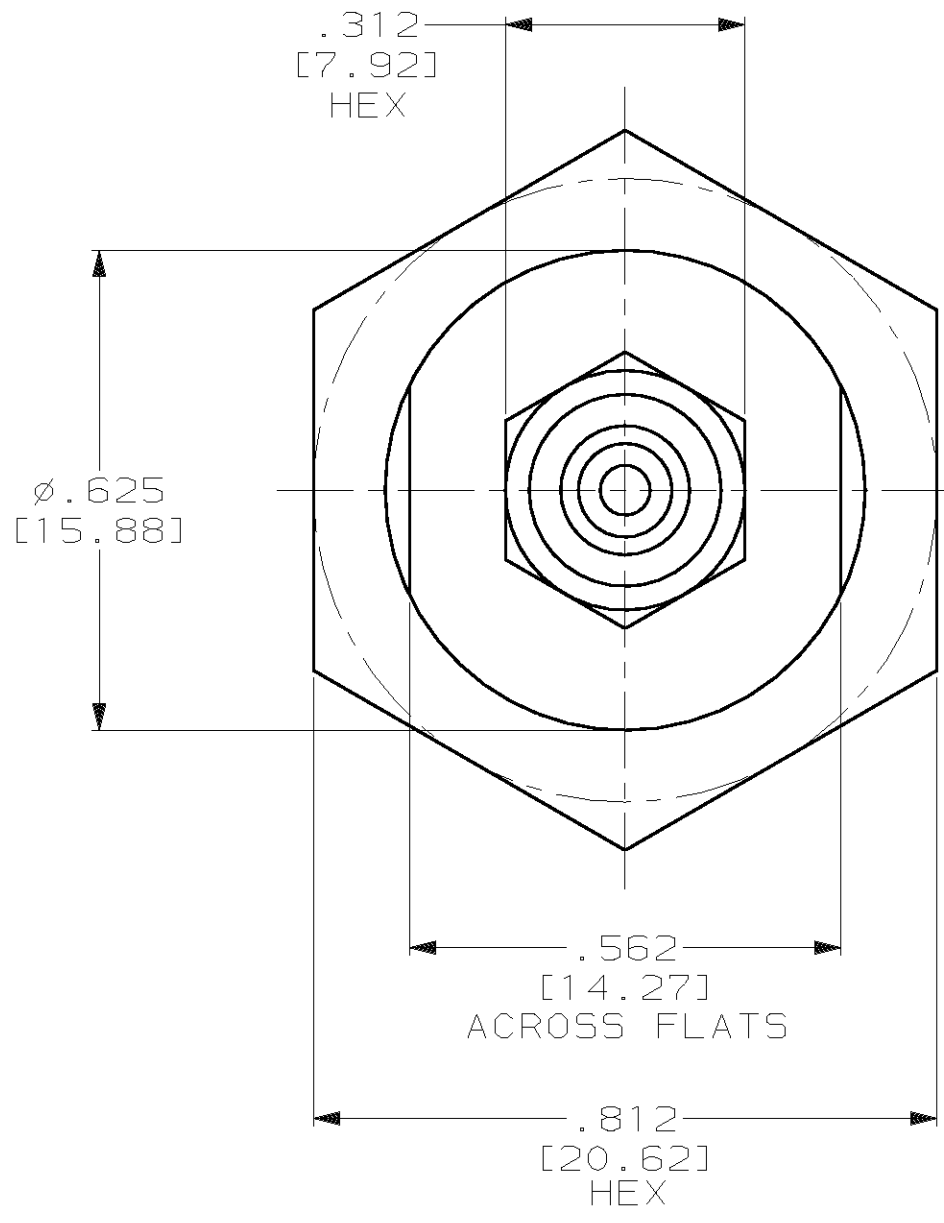
ENVIRONMENTAL
TEMPERATURE RATING: -65°C TO +125°C
VIBRATION: MIL-STD-202, METHOD 204, CONDITION B
SHOCK: MIL-STD-202, METHOD 213, CONDITION 1
MOISTURE RESISTANCE: MIL-STD-202, METHOD 106
CORROSION: MIL-STD-202, METHOD 101, CONDITION B. 5% SALT SPRAY
THERMAL SHOCK: MIL-STD-202, METHOD 107, CONDITION B EXCEPT HIGH TEMP 115°C

MECHANICAL
INTERFACE DIMENSIONS: MIL-STD-348A FIG. 304.2
RECOMMENDED MATING TORQUE: N/A
FORCE TO ENGAGE & DISENGAGE (IN-LBS MAX:): 6.0
WEIGHT (GRAMS): 15
MATING CHARACTERISTICS: INSERTION (MAX LBS): 2.0 WITHDRAWAL (MIN OZ): 2.0
CABLE RETENTION: AXIAL FORCE (LBS): 45 MIN TORQUE (IN-OZ): N/A
CENTER CONTACT CAPTIVATION: AXIAL (LBS): 6.0 RADIAL (IN-OZ): 4.0

ELECTRICAL
NORMAL IMPEDANCE (OHMS): 50
FREQUENCY RANGE (GHz): DC TO 18
VOLT RATING @ SEA LEVEL (VRMS MAX): 250
VSWR: 1.07+.007F (GHz)
INSERTION LOSS: (dB MAX): .04 √F (GHz)
RF LEAKAGE (dB MIN): -[90-F (GHz)]
CORONA 70,000 FT (VRMS MIN): 190
DIELECTRIC WITHSTANDING VOLTAGE (VRMS MIN) AT SEA LEVEL: 750
I.R. (MEGOHMS MIN): 5000
RF HIGH POTENTIAL AT SEA LEVEL (VRMS MIN @ 5 MHz): 500
CONTACT RESISTANCE (MILLIOHMS MAX): CENTER CONTACT: 1.5 OUTER CONTACT: 2.0 CABLE TO HOUSING: 0.5



SHRINK TUBING



1484438-1
PART NO.

DESIGNED TO USE WITH SF-142 CABLE CABLE ENTRY DIAMETER MIN
 FERRULE: .216
 SLEEVE: .121
 CONTACT: .038

THIS DRAWING IS A CONTROLLED DOCUMENT.	
DIMENSIONS: INCHES [mm]	TOLENCES UNLESS OTHERWISE SPECIFIED:
	0 PLC ± 1 PLC ± 2 PLC ± 3 PLC ±.005 [0.13] 4 PLC ± ANGLES ±
MATERIAL: SEE TABLE	FINISH: SEE TABLE

DWN: C.C. THOMAS 10-19-01	tyco TYCO Electronics Corporation Harrisburg, PA 17105-3608
CHK: R. GROSS 10-19-01	
APVD: R. GROSS 10-19-01	NAME: R. GROSS
PRODUCT SPEC: -	USE ASSEMBLY PROCEDURE: A.P. 560
WEIGHT: SEE TABLE	SIZE: A2 CAGE CODE: 00779 DRAWING NO: 1484438
CUSTOMER DRAWING	RESTRICTED TO: -
SCALE: 4:1	SHEET: 1 OF 1 REV: 0

X-ON Electronics

Largest Supplier of Electrical and Electronic Components

Click to view similar products for [RF Connectors / Coaxial Connectors](#) category:

Click to view products by [TE Connectivity](#) manufacturer:

Other Similar products are found below :

[R125315120](#) [8915-1511-000](#) [89674-0827](#) [5916-1103-603](#) [0106-001-000](#) [6-0001-3](#) [6001-7071-019](#) [6002-7051-003](#) [6002-7551-202](#) [6059674-1](#) [619550-1](#) [630059-000](#) [M39012/25-0021](#) [M39012/79-3008](#) [M39030/3-01N](#) [M39030/3-03N](#) [M3933/25-36N](#) [6500-7071-046](#) [6501-1071-002](#) [M83723/72W2457N](#) [6769](#) [CX050L2AQ](#) [7002-1541-010](#) [7002-1572-002](#) [7003-1572-002](#) [7004-1512-000](#) [7009-1511-004](#) [7010-1511-000](#) [7029-1511-060](#) [7101-1541-010](#) [7101-1571-002](#) [7105-1521-002](#) [7145-1521-002](#) [7209-1511-011](#) [7210-1511-012](#) [7210-1511-015](#) [7210-1511-019](#) [7210-1511-040](#) [7225-1512-050](#) [7242-1511-000](#) [73137-5015](#) [73251-0111](#) [73251-0672](#) [73276-1501](#) [73366-0013](#) [73404-2300](#) [73413-6080](#) [73415-5721](#) [7405-1521-005](#) [7405-1521-802](#)