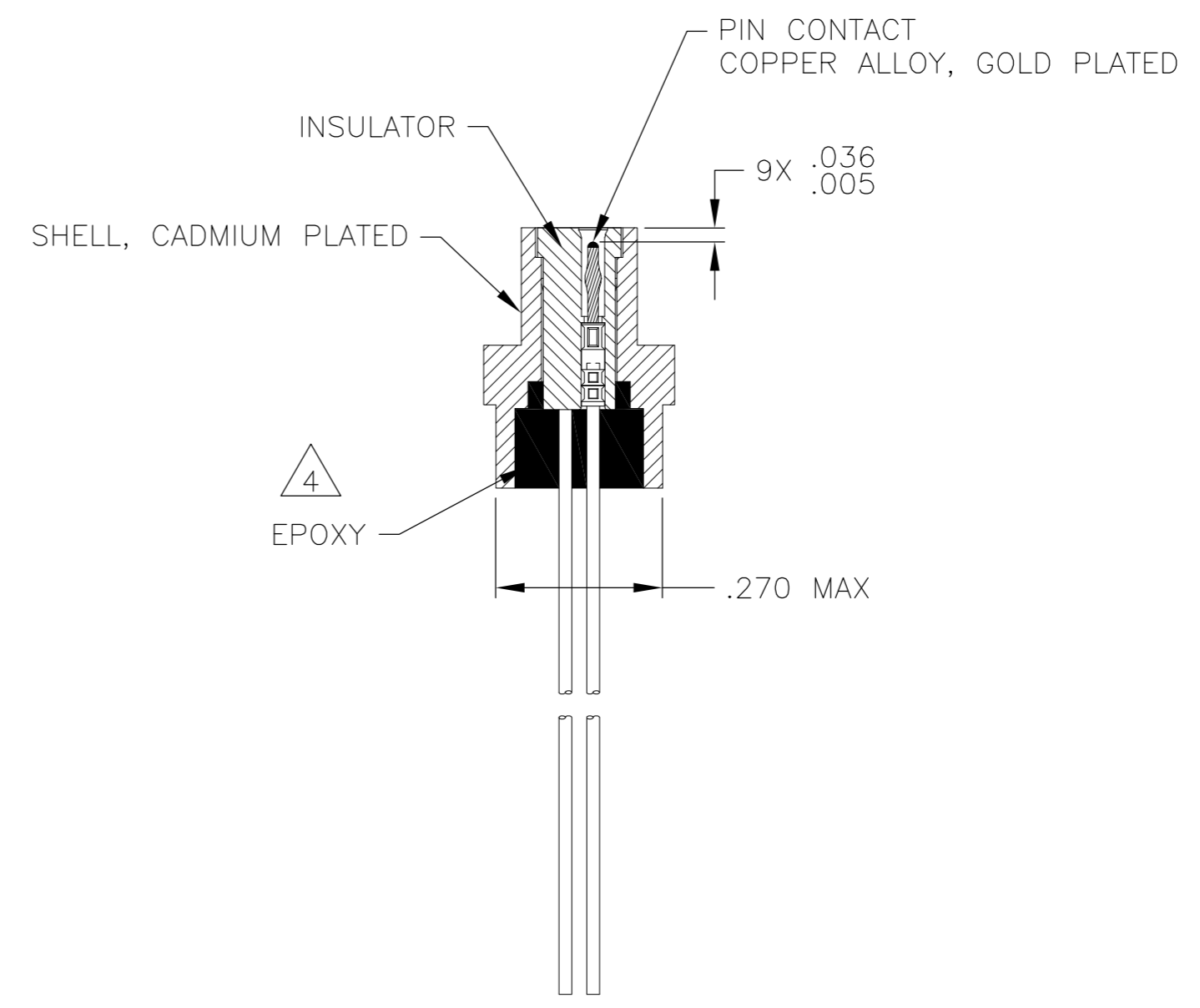
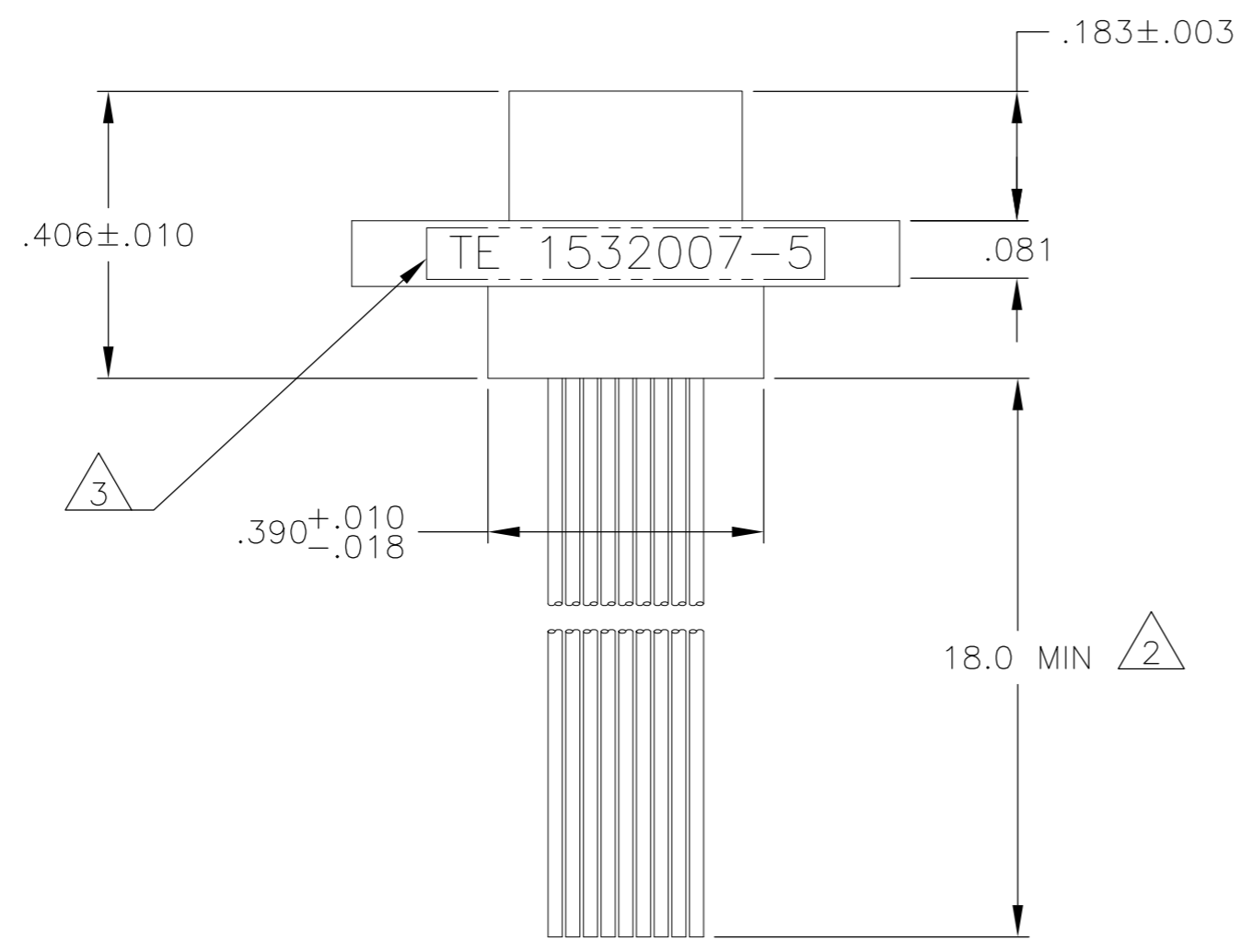
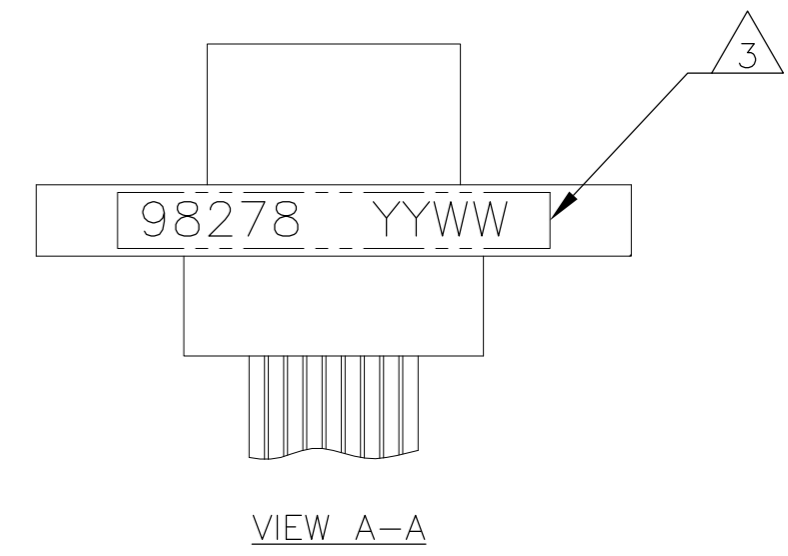
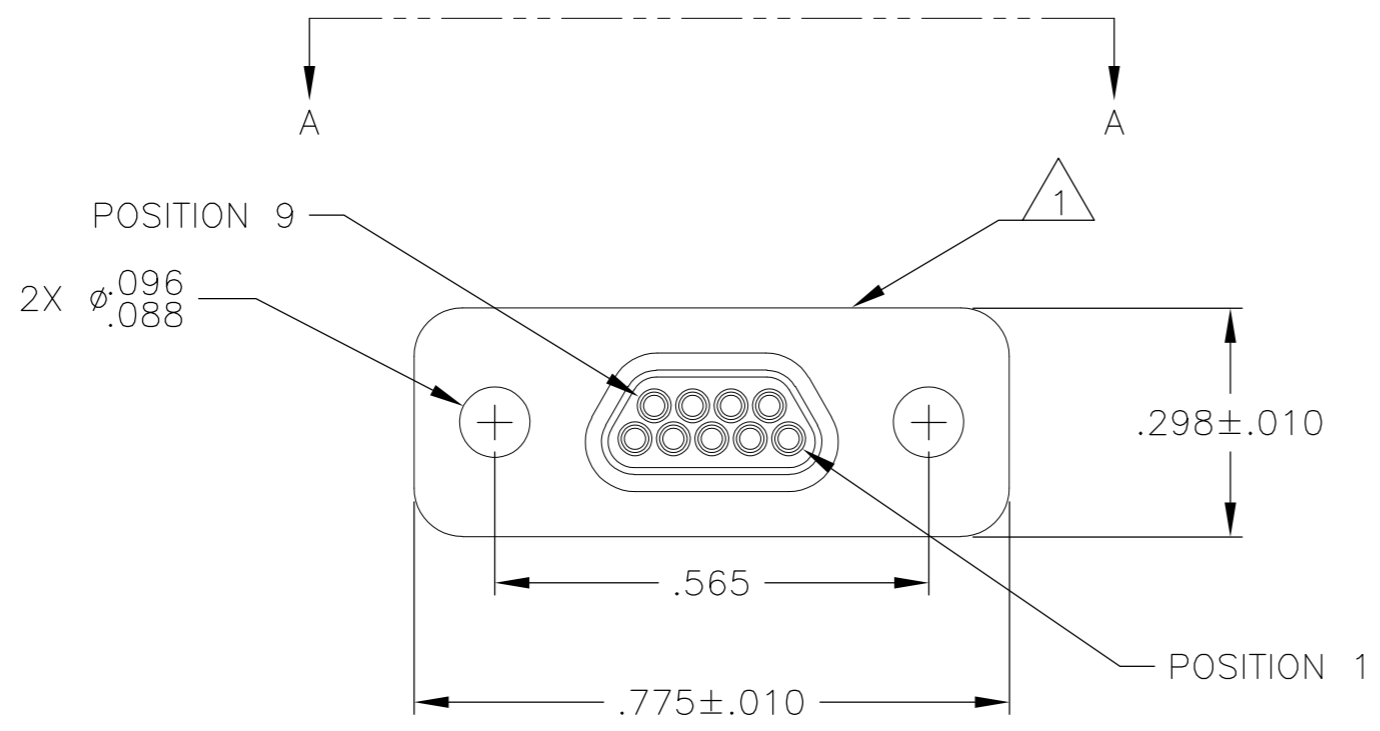


THIS DRAWING IS UNPUBLISHED. RELEASED FOR PUBLICATION
 © COPYRIGHT - By - ALL RIGHTS RESERVED.

LOC		DIST		REVISIONS			
P	LTR	DESCRIPTION		DATE	DWN	APVD	
	E	UPDATE PER ECO-14-000182		6 JAN 14	GS	CAS	



- 1 SHELL MATERIAL: 6061-T6 ALUMINUM, CADMIUM PLATE PER SAE-AMS-QQ-P-416.
- 2 INSULATOR MATERIAL: RYTON, POLYPHENYLENE SULFIDE (PPS), COLOR BLACK, PER ASTM D406
- 3 THIS CONFIGURATION TO BE TERMINATED WITH 26AWG, 7/34 COLOR CODED PER MEP 217-00, CODE 00.
- 4 MARK PER MEP203-12, CODES B, C, D AND E AS SHOWN
- 5 EPOXY ENCAPSULATION. EPOXY MAY WICK .125 INCH MAX

THIS DRAWING IS A CONTROLLED DOCUMENT.		DWN	23 FEB 94									
DIMENSIONS: INCHES		CHK	CAMPOS									
TOLERANCES UNLESS OTHERWISE SPECIFIED:		APVD	-									
0 PLC ± -		PRODUCT SPEC	-									
1 PLC ± -		APPLICATION SPEC	-									
2 PLC ± .005		WEIGHT	-									
3 PLC ± .010		CUSTOMER DRAWING	SCALE 3:1 SHEET 1 OF 1 REV E									
4 PLC ± -		MATERIAL SEE NOTES FINISH SEE NOTES										
ANGLES ± 2°		<table border="1"> <tr> <th>SIZE</th> <th>CAGE CODE</th> <th>DRAWING NO</th> <th>RESTRICTED TO</th> </tr> <tr> <td>A2</td> <td>98278</td> <td>1532007-5</td> <td>-</td> </tr> </table>			SIZE	CAGE CODE	DRAWING NO	RESTRICTED TO	A2	98278	1532007-5	-
SIZE	CAGE CODE	DRAWING NO	RESTRICTED TO									
A2	98278	1532007-5	-									

X-ON Electronics

Largest Supplier of Electrical and Electronic Components

Click to view similar products for [D-Sub Micro-D Connectors](#) category:

Click to view products by [TE Connectivity](#) manufacturer:

Other Similar products are found below :

[M243082311F](#) [M2430834F](#) [M24308/4-6F](#) [65-1920-15](#) [M83513/01-HN](#) [M83513/03-A10N](#) [M83513/03-B14C](#) [M83513/03-D09C](#) [M83513/03-D11N](#) [M83513/03-G02N](#) [M83513/03-G05N](#) [M83513/03-G08C](#) [M83513/03-G09N](#) [M83513/03-G12N](#) [M83513/03-H13N](#) [M83513/04-E15N](#) [M83513/04-G04C](#) [M83513/10-E01NP](#) [M83513/13-B01NP](#) [M83513/13-C01NN](#) [M83513/16-A01CP](#) [M83513/22-D01NP](#) [M83513/25-B01NP](#) [6R2004A30F015](#) [6R4006A28A120](#) [703006A13F060](#) [704002A03F200](#) [705001A13F120](#) [7-1532020-5](#) [748567-1-P](#) [MDB1-31SH003](#) [MDM-15PBS-L58](#) [MDM-15PCBRM7T](#) [MDM-15PH003B-A174](#) [75-068624-59S](#) [MDM-15PH034B](#) [MDM-15SH001L](#) [MDM-15SH004B](#) [MDM-21PH003K](#) [MDM-25PH003B-A174](#) [MDM-25PHW01F-A174](#) [MDM-37PH006L-A174](#) [MDM-37PH048M5-A174](#) [MDM-37SCBRP-A174](#) [MDM-51PBS-L56](#) [MDM-51PSF](#) [MDM-51SH003M7](#) [MDM-51SSM7-A174](#) [MDM-9PBSP-L58](#) [MDM-9PH003M7](#)