

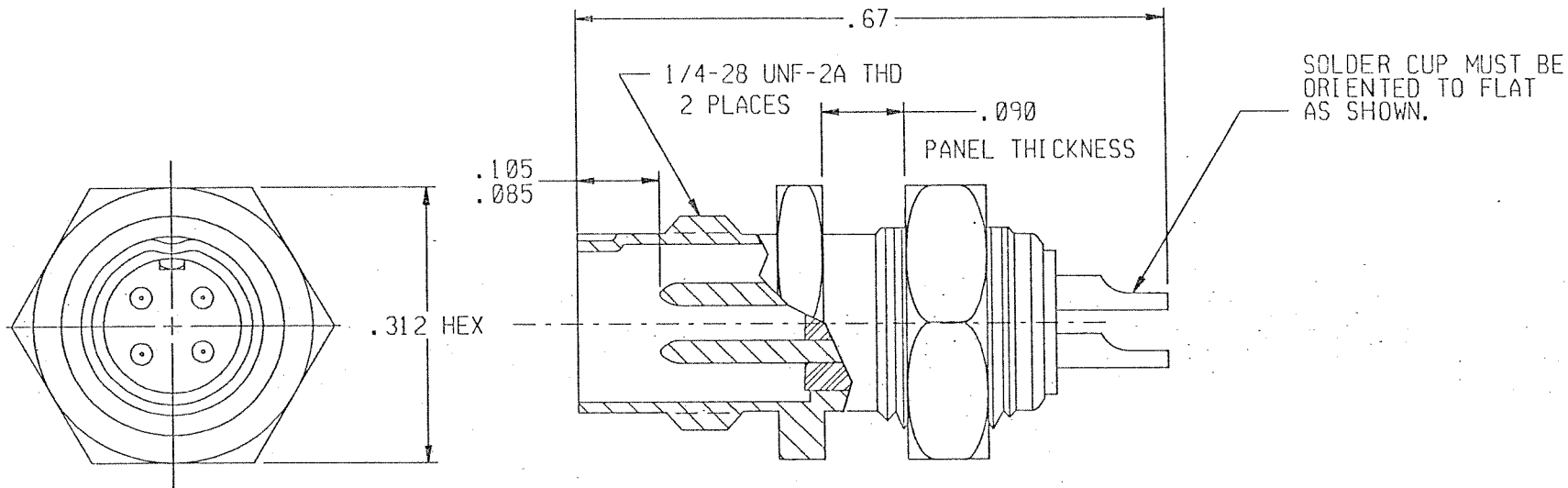
4

3

2


1

REVISION					
ZONE	LTR	ECN	DESCRIPTION	DATE	APPROVED
	A	37745	NEW RELEASE	4/10/98	ES
	B	40229	UPDATE REV LETTER	5/31/98	ES



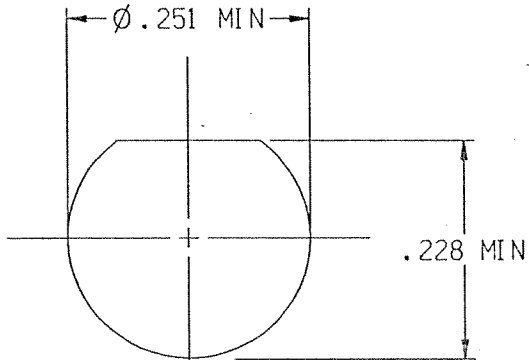
Tyco Dwg 1532138-6
 Micro P/N 087-9105-0001

- NOTES: UNLESS OTHERWISE SPECIFIED.
1. THIS CONNECTOR MATES WITH 087-9008-1001 PLUG.
 2. PARTS ARE COPPER ALLOY GOLD PLATED PER MIL-G-45204, TYPE II, GRADE C, CLASS I.

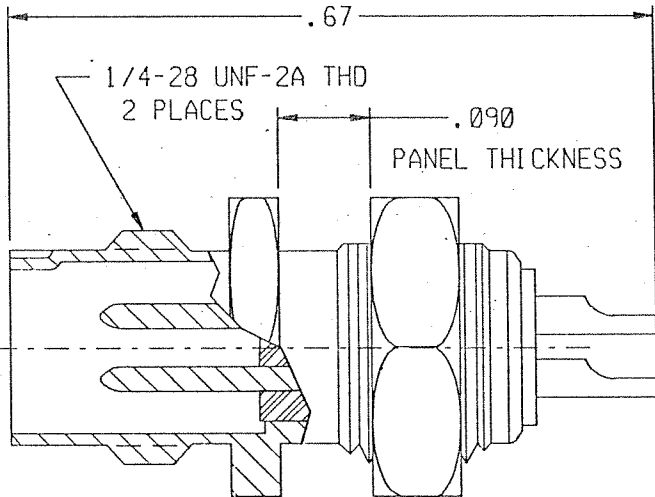
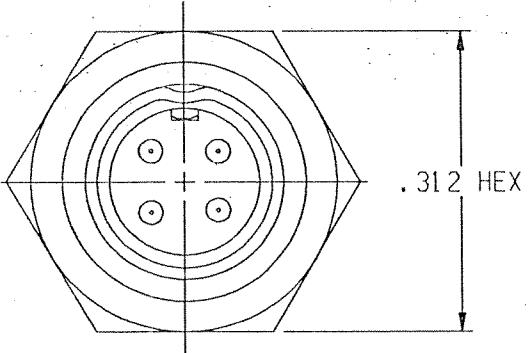
<small>UNLESS OTHERWISE SPECIFIED DIMENSIONS ARE IN INCHES. TOLERANCE ARE:</small> FRACTIONS: ± 1/8 DECIMALS: .XX ± .02 ANGLES: ± 2° MATERIAL: FINISH:	APPROVALS		 MICRODOT CONNECTORS A DIVISION OF UNI-STAR INDUSTRIES INC. 386 PASADENA AVE., SO. PASADENA, CA 91038
	SIGNATURE	DATE	
	CHECKED		
	APPROVED		
THIS DOCUMENT IS THE PROPERTY OF MICRODOT CONNECTORS, A DIVISION OF UNI-STAR INDUSTRIES INC. USE OF THIS DOCUMENT OR ANY PART THEREOF IS STRICTLY FORBIDDEN WITHOUT THE EXPRESS WRITTEN PERMISSION OF MICRODOT CONNECTORS, A DIVISION OF UNI-STAR INDUSTRIES INC.		SIZE: A CODE IDENT NO.: 98278 DRAWING NO.: 087-9105-0001	PROD CODE: 952 CODE: M
SCALE: NONE		SHEET 1 OF 1	

4 | 3 | 2 | 1

REVISION					
ZONE	LTR	ECN	DESCRIPTION	DATE	APPROVED
	A	37745	NEW RELEASE	5/12/98	[Signature]
	B	40222	UPDATE REV LETTER	5/12/98	[Signature]




MOUNTING HOLE



1532138-6

NOTES: UNLESS OTHERWISE SPECIFIED.

1. THIS CONNECTOR MATES WITH 087-9008-1001 PLUG.
2. PARTS ARE COPPER ALLOY GOLD PLATED PER MIL-G-45204, TYPE II, GRADE C, CLASS I.

UNLESS OTHERWISE SPECIFIED DIMENSIONS ARE IN INCHES. TOLERANCE ARE: FRACTIONS DECIMALS ANGLES $\pm 1/8$ $.XX \pm .02$ $\pm 2^\circ$ $.XXX \pm .010$	APPROVALS		 MICRODOT CONNECTORS A DIVISION OF UNI-STAR INDUSTRIES INC. 306 PASADENA AVE., SO. PASADENA, CA 91030
	SIGNATURE	DATE	
	DRAWN HENRY G.	5-12-98	
	CHECKED		
MATERIAL:	PROD. ENG. [Signature]	5/12/98	BULKHEAD RECEPTACLE 4 PIN CONTACT CIRCULAR
APPROVED		PROD CODE 952 CODE CD	
FINISH:	THIS DOCUMENT IS THE PROPERTY OF MICRODOT CONNECTORS, A DIVISION OF UNI-STAR INDUSTRIES INC. USE OF THIS DOCUMENT ON ANY PART THEREOF IS STRICTLY FORBIDDEN WITHOUT THE EXPRESS WRITTEN PERMISSION OF MICRODOT CONNECTORS, A DIVISION OF UNI-STAR INDUSTRIES INC.		SIZE CODE IDENT NO. DRAWING NO. A 98278 087-9105-0001
	SCALE: NONE		SHEET 1 OF 1

X-ON Electronics

Largest Supplier of Electrical and Electronic Components

Click to view similar products for [Headers & Wire Housings](#) category:

Click to view products by [TE Connectivity](#) manufacturer:

Other Similar products are found below :

[95000-104TRLF](#) [10135584-644402LF](#) [DF62W-EP2022PCA](#) [95000-106TRLF](#) [DF62W-2022SCA](#) [DF62W-EP2022PC](#) [2203348](#) [DF62W-2022SC](#) [1084018](#) [1029039](#) [1084017](#) [802-10-012-10-002000](#) [1112640](#) [1112639](#) [000-34000](#) [0009482033](#) [0009507031](#) [57102-S06-03LF](#) [57202-S52-04LF](#) [PCN6-15S-2.5E](#) [0039019024](#) [58102-G61-06LF](#) [582553-1](#) [0009485154](#) [0009508121](#) [0022285053](#) [0050291907](#) [018731A](#) [LY20-4P-DT1-P1E-BR](#) [02.125.8002.8](#) [60101931](#) [60598-1 \(Cut Strip\)](#) [M1625-3R/100](#) [61062-3](#) [61082-181009](#) [636-1427](#) [638009-1](#) [641938-9](#) [641991-4](#) [644168-1](#) [647662-1](#) [65039-019ELF](#) [65817-002LF](#) [65817-015LF](#) [65863-015LF](#) [66207-023LF](#) [67016-026LF](#) [67046-001LF](#) [67095-007LF](#) [67230-005LF](#)