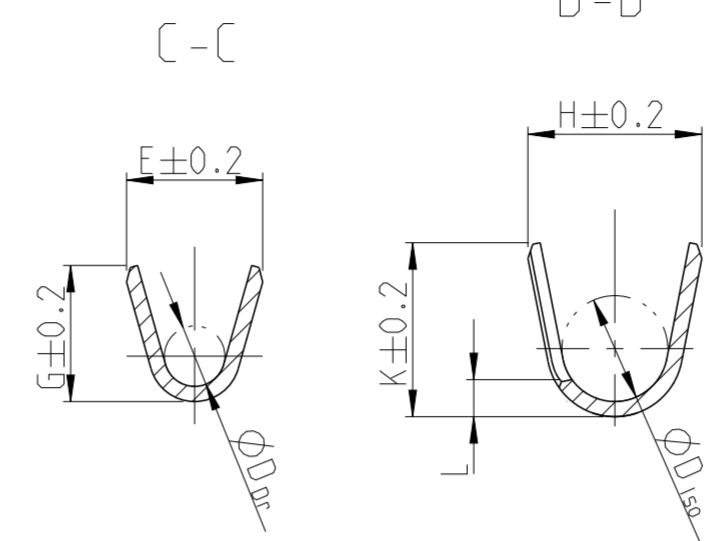
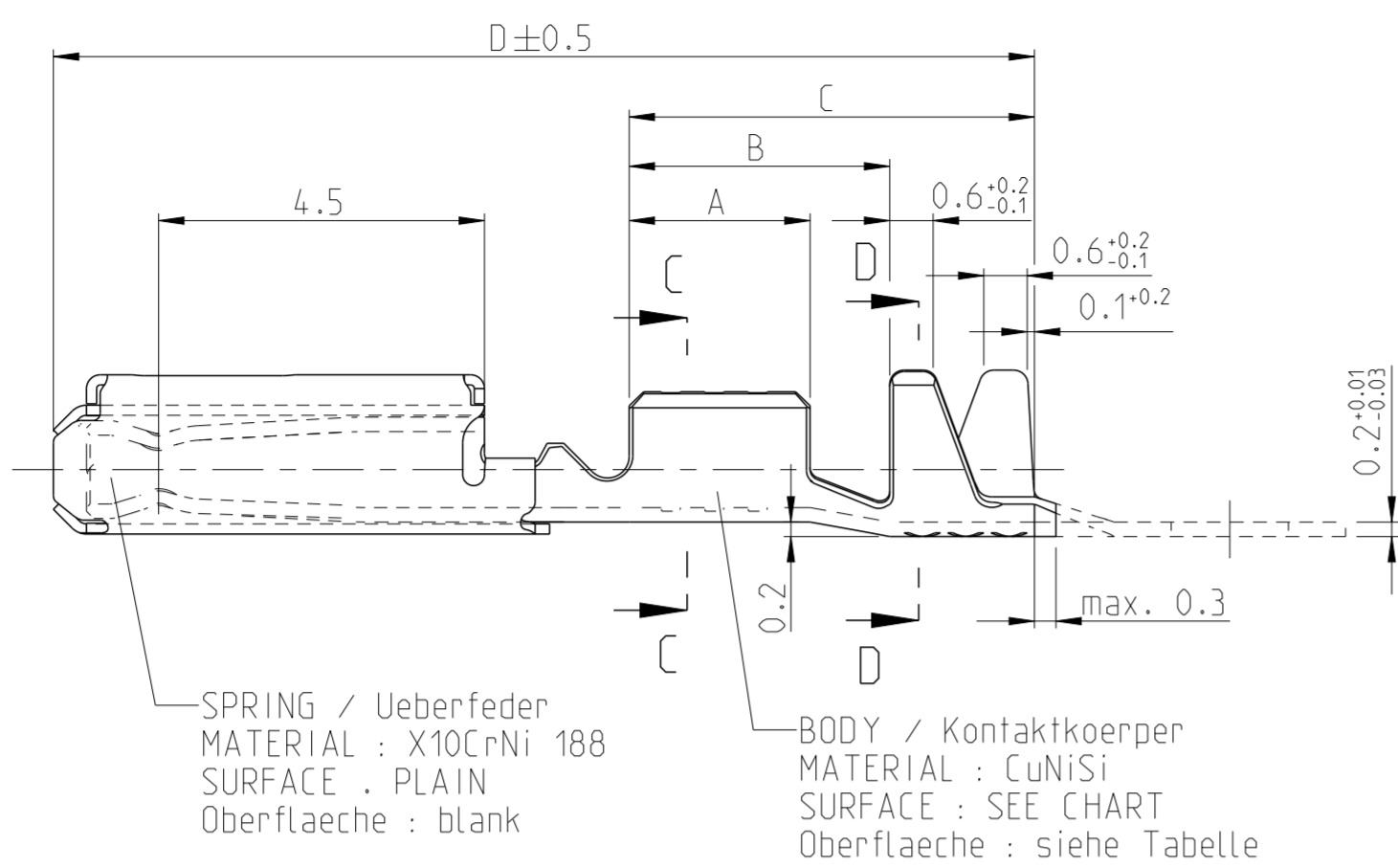
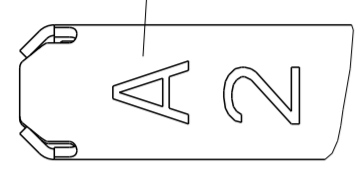
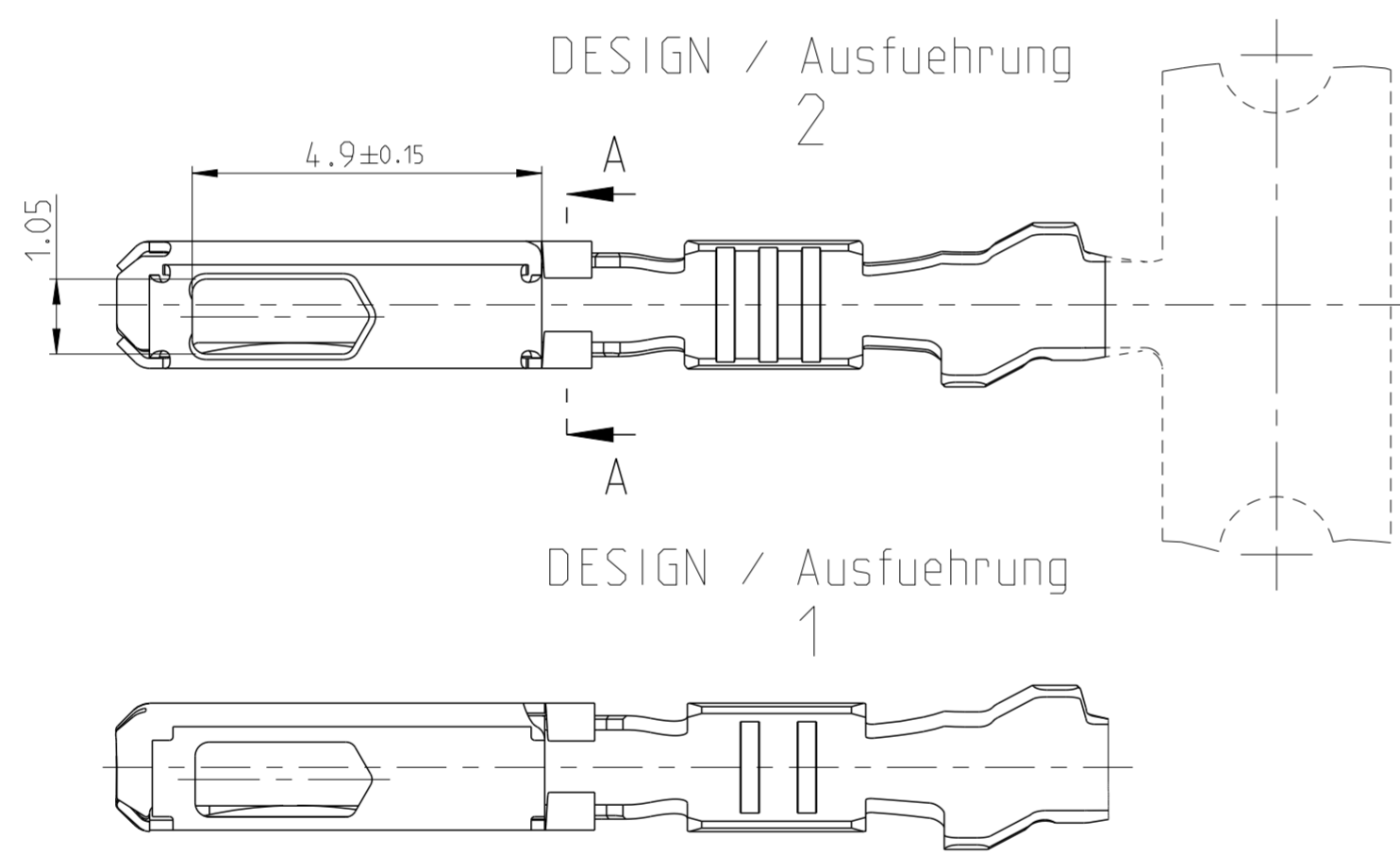
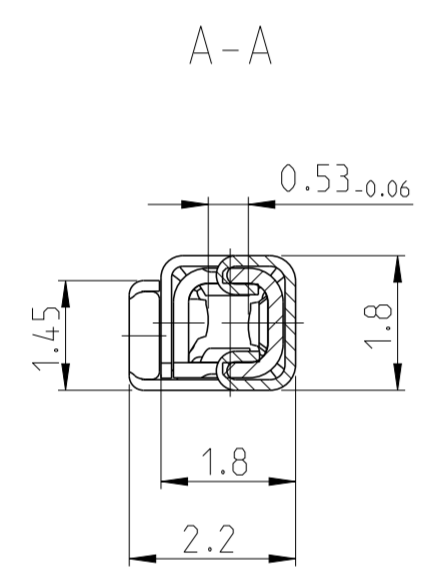
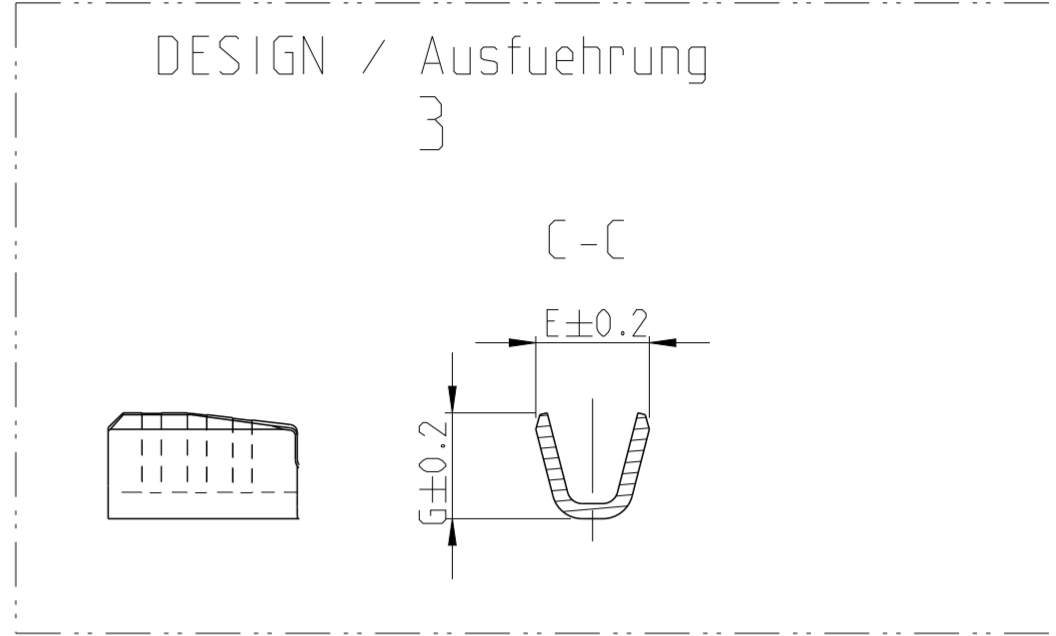


LOC	DIST	REVISIONS			
P	LTR	DESCRIPTION	DATE	DWN	APVD
A1	-				
D5		LP variants removed. ECR-13-015135	30SEP2013	Abr	Brun
D6		New variant added 5-1534116-3. ECR-14-011727	04AUG2014	Mah	Brun
D7		NOTE % ADDED. ECR-15-007039	06MAY2015	Abr	Brun
D8		2295077-1 ADDED PER ECR-15-017111	23NOV2015	MAH.	BRUN

MARKING GOLDVERSION  
Kennzeichnung Goldausfuehrung

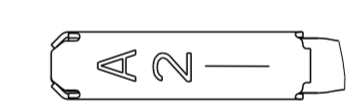
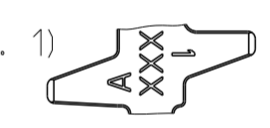


D8



NOTES

- Bemerkungen
- SUITABLE FOR PIN CONTACT SEE DRAWING: TE: 929453  
Passend zu Stiftkontakt siehe Zeichnung: TE: 929453
  - FOR FLR-CONDUCTOR ACCORDING TO DIN 72551-6 ONLY  
Nur fuer FLR-Leitung nach DIN 72551, Teil 6
  - DETAILS OF DESIGN ARE LEFT TO MANUFACTURER  
Einzelheiten der Ausfuehrung bleiben dem Hersteller ueberlassen
  - TE REVISION AND DIE IDENTIFICATION (E.G. REV. A DIE-NO. 1)  
TE Revision und Werkzeug-Nr.(z.B. Rev. A Wkzg.-Nr. 1)
  - WITH DOUBLE-OUT DIES THE FIRST SPRING WILL BE PROVIDED WITH AN INDICATION "-"  
Bei doppelt fallenden Werkzeugen wird die erste Ueberfeder mit einer Kennzeichnung "-" versehen

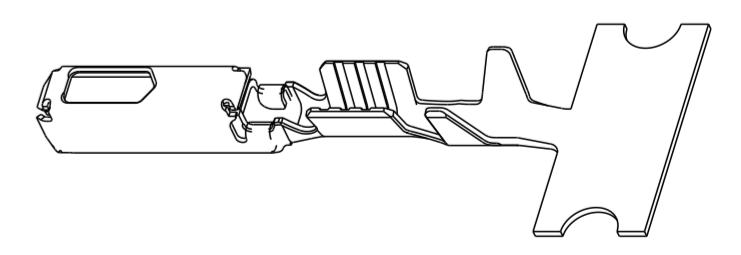


ORDER NO. DESIGN Bestell-Nr. Ausfuehrung	ORDER NO. DESIGN Bestell-Nr. Ausfuehrung	REV	ORDER NO. DESIGN Bestell-Nr. Ausfuehrung	REV	WIRE SIZE RANGE DGB mm <sup>2</sup>	INSULATION Isolations Ø	SURFACE CONTACT AREA Oberflaeche Kontaktzone	LENGTH Laenge mm	WIRE CRIMP Drahtcrimp mm	INSU. CRIMP Iso' Crimp mm	WEIGHT Gewicht g
-	2295077-1	A	-	-	0.08-0.22	0.85-1.2	TIN PLATED vorverzinnt	A = 2.5 B = 3.7 C = 5.4 D = 13.6	E = 1.5 G = 1.4 D <sub>Dr</sub> = 0.2	H = 2.0 K = 1.9 L = 0.65 D <sub>Iso</sub> = 1.1	0.15
5-1703282-2	-	A	1703282-2	B	0.5-0.75	1.4-1.9	Au	A = 2.8 B = 3.8 C = 5.6 D = 13.6	E = 2 G = 2.1 D <sub>Dr</sub> = 1	H = 2.7 K = 2.9 L = 0.7 D <sub>Iso</sub> = 1.4	0.13
5-1703282-1	-	A	1703282-1	A	-	-	TIN PLATED vorverzinnt	-	-	-	-
5-1534116-3	-	A	-	-	-	-	Ag	-	-	-	-
5-1534116-2	-	A	1534116-2	B	0.35-0.5	1.2-1.6	Au	A = 2.5 B = 3.6 C = 5.6 D = 13.6	E = 1.8 G = 1.8 D <sub>Dr</sub> = 0.8	H = 2.3 K = 2.3 L = 0.6 D <sub>Iso</sub> = 1.4	0.12
5-1534116-1	-	A	1534116-1	B	-	-	TIN PLATED vorverzinnt	-	-	-	-

DIMENSIONS/ Abmessungen

D8

5:1



THIS DRAWING IS A CONTROLLED DOCUMENT.

DWN: R.Schaefer 29JAN2002  
CHK: H.Kampmann 05JUL2007  
APVD: M.Bleicher 29APR2008

**STE** TE Connectivity

NAME: MQS 2POINT, CLEANBODY  
PRODUCT GROUP DRAWING SOCKET CONTACT  
Produktgruppenzeichnung Buchsenkontakt

PRODUCT SPEC: 108-18874  
APPLICATION SPEC: 114-18021

SIZE: A2 CAGE CODE: 00779 DRAWING NO: 1534615 RESTRICTED TO: -

MATERIAL: - FINISH: - WEIGHT: -

CUSTOMER DRAWING SCALE: 10:1 SHEET: 1 OF 1 REV: D8

## X-ON Electronics

Largest Supplier of Electrical and Electronic Components

*Click to view similar products for [Automotive Connectors](#) category:*

*Click to view products by [TE Connectivity](#) manufacturer:*

Other Similar products are found below :

[003-018-000](#) [600858](#) [60403001](#) [60993906-B](#) [60993913-B](#) [629515004020001](#) [M902-2131](#) [M902-2161](#) [M902-2344](#) [72.330.1035.1](#)  
[73.353.4028.0](#) [F118010](#) [F119300-B](#) [F132210](#) [F132210-B](#) [F166900](#) [F180100](#) [F258300](#) [F258300-B](#) [F294300-B](#) [F339100](#) [F339700](#) [F358300-](#)  
[B](#) [F374110](#) [F407400](#) [F412210](#) [F427600](#) [F444110](#) [F487000](#) [F495100-B](#) [F500900-B](#) [F509500B-B](#) [770444-1](#) [776880-1](#) [827153-1](#) [881735-1](#)  
[8N1515-32-24P](#) [9-1326727-8](#) [9-1326729-8](#) [925467-1](#) [925474-1](#) [928905-1](#) [936398-2](#) [964562-1](#) [964562-4](#) [964731-2](#) [965051-1](#) [968782-1](#)  
[GT17SA-8DS-HU](#) [GT17VS-10DP-5.2CF](#)