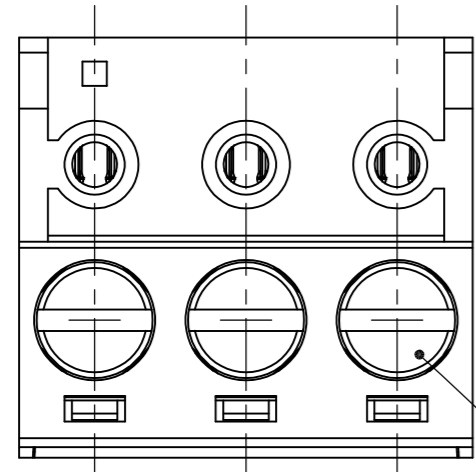


THIS DRAWING IS UNPUBLISHED. RELEASED FOR PUBLICATION
 © COPYRIGHT - By - ALL RIGHTS RESERVED.

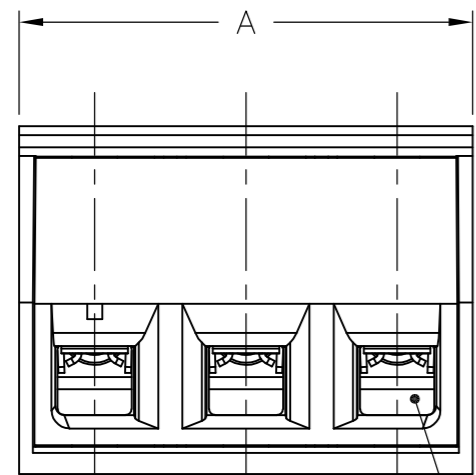
LOC	DIST	REVISIONS					
		P	LTR	DESCRIPTION	DATE	DWN	APVD
-	-	H3		REVISED PER ECO-11-005787	01APR11	HMR	CR

- 1 MATERIALS AND FINISH
 HOUSING: PA 6-6, UL 94-V0, COLOR: BLACK.
 CLAMP: BRASS, NICKEL PLATED.
 CONTACT: PHOSPHOR BRONZE, TIN PLATED.
 CLAMPING SCREW: M3, BRASS, NICKEL PLATED.
- 2 WIRE SIZE RANGE: 12-30 AWG
- 3 RECOGNIZED UNDER THE COMPONENT PROGRAM OF UNDERWRITERS LABORATORIES INC. FILE NO. E60677.
- 4 IMQ CERTIFICATE WITH SURVEILLANCE IN CONFORMITY WITH IEC 998-1/998-2-1.

 NOT CUMULATIVE TOLERANCE.
- 6 END TO END STACKABLE W/O LOSS OF CENTERLINE SPACING.
- 7 PART MARKED WITH WHITE PERMANENT MARKING.
- 8 PRELIMINARY PART NUMBER.

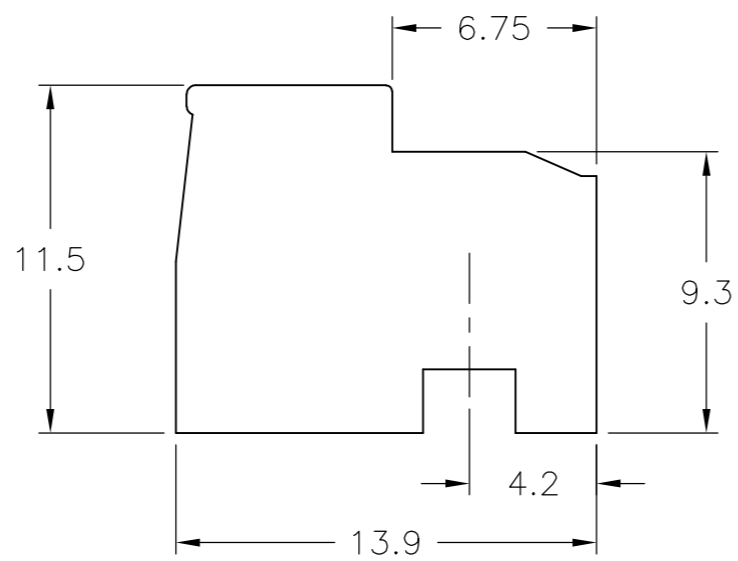


CLAMPING SCREW

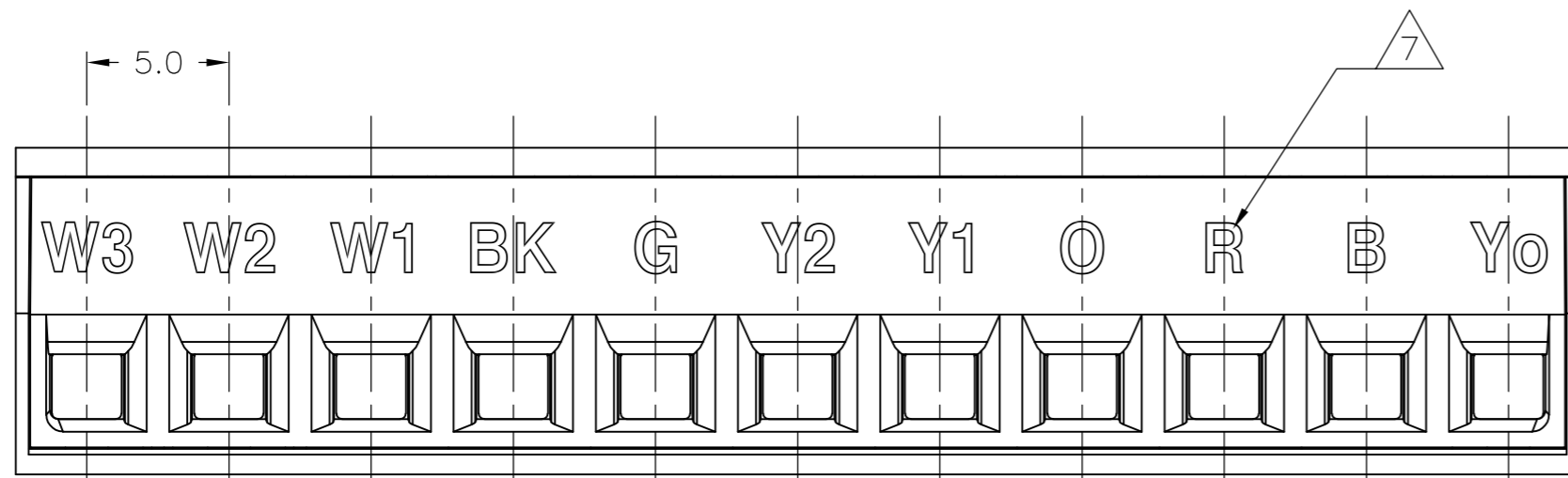
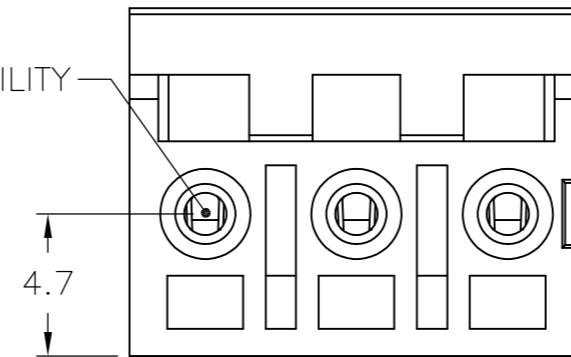


WIRE ENTRY

2.5
 5
 5.00±0.05
 TYP



TEST FACILITY



2-1548018-6

55	11	2-1546018-6
125	25	2-1546018-5
120	24	2-1546018-4
115	23	2-1546018-3
110	22	2-1546018-2
105	21	2-1546018-1
100	20	2-1546018-0
95	19	1-1546018-9
90	18	1-1546018-8
85	17	1-1546018-7
80	16	1-1546018-6
75	15	1-1546018-5
70	14	1-1546018-4
65	13	1-1546018-3
60	12	1-1546018-2
55	11	1-1546018-1
50	10	1-1546018-0
45	9	1546018-9
40	8	1546018-8
35	7	1546018-7
30	6	1546018-6
25	5	1546018-5
20	4	1546018-4
15	3	1546018-3
10	2	1546018-2
A	NO OF POSN	PART NUMBER

THIS DRAWING IS A CONTROLLED DOCUMENT.		DWN S SCHLEGEL 27AUG2009		
DIMENSIONS: mm		CHK C RICHARD 8/27/09		
TOLERANCES UNLESS OTHERWISE SPECIFIED:		APVD C RICHARD 8/27/09	NAME TERMINAL BLOCK PLUG 90/180 DEGREE 5.0mm PITCH	
0 PLC ± -		PRODUCT SPEC	SIZE A2	CAGE CODE 00779
1 PLC ± 0.3		APPLICATION SPEC	DRAWING NO C=1546018	RESTRICTED TO
2 PLC ± 0.25		WEIGHT	SCALE 4:1	SHEET 1 OF 1
3 PLC ± -		MATERIAL	REV H3	
4 PLC ± -		FINISH		
ANGLES ± 1°				

X-ON Electronics

Largest Supplier of Electrical and Electronic Components

Click to view similar products for [Pluggable Terminal Blocks](#) category:

Click to view products by [TE Connectivity](#) manufacturer:

Other Similar products are found below :

[57.404.7553](#) [57.504.0053.7](#) [57.510.0053](#) [57.910.6153](#) [01.112.1453](#) [CTB932VE/6](#) [MC 1.5/ 6-ST-3.5 GY AU](#) [ET02015000J0G](#) [734-104](#) [734-302](#) [734-304](#) [8-141-P](#) [FKCT 2.5/ 3-ST KMGY](#) [860505](#) [860508](#) [860516](#) [860810](#) [861908](#) [GBPACX-12](#) [93.731.4953.0](#) [PV05-5,08-K](#) [PVP02-5,00](#) [PVP04-3,50](#) [PVS02-5,00](#) [1-1986160-3](#) [H-10](#) [1546228-5](#) [ELFP03110](#) [ELVP03100](#) [ELXH03100](#) [ELXP041G0](#) [ELXT046G0](#) [1700101](#) [1700410](#) [1700425](#) [1703176](#) [1703243](#) [1705229](#) [1710175](#) [1714537](#) [1717806](#) [1719600](#) [1728941](#) [1729386](#) [1734692](#) [1734795](#) [1736036](#) [1740194](#) [1740291](#) [1740628](#)