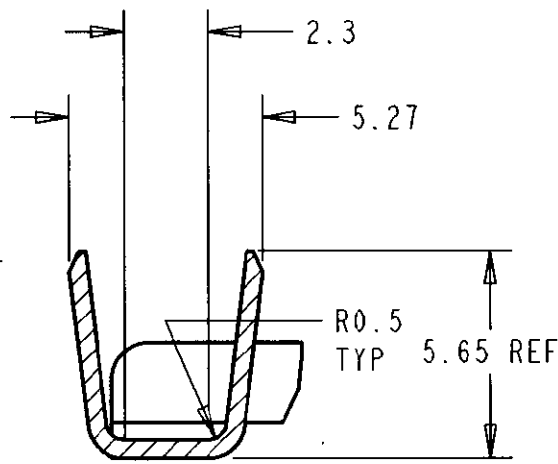
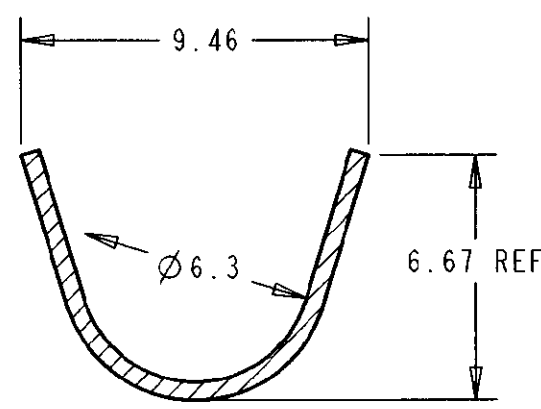
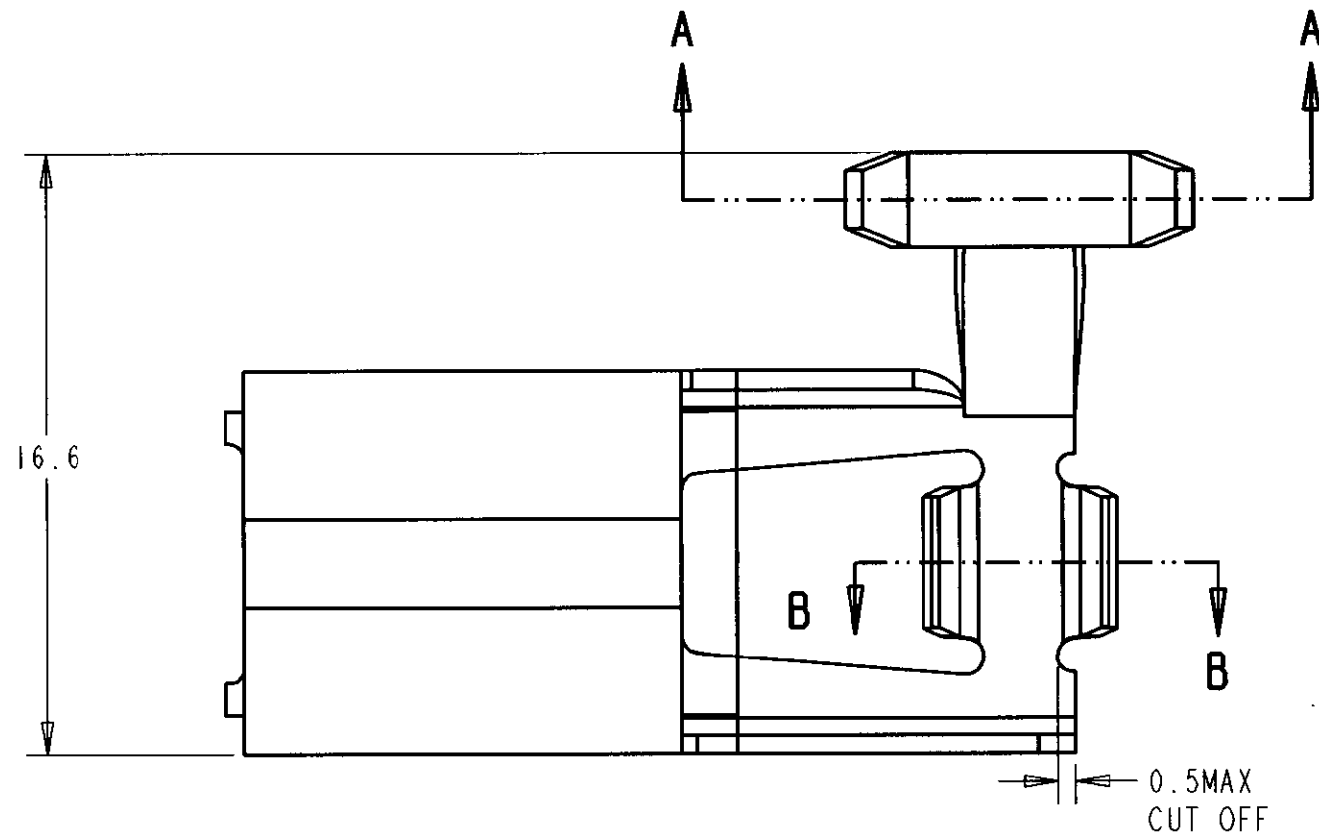
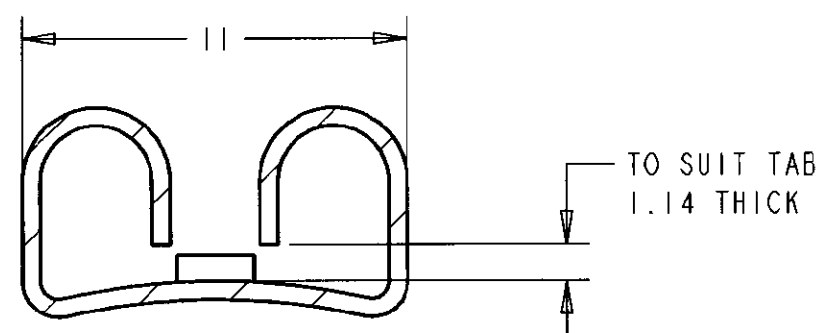


LOC		REVISIONS				
P	LTR	DESCRIPTION	DATE	DWN	APVD	
	M	EB00-0679-99	23-12-99	DRT	FWK	

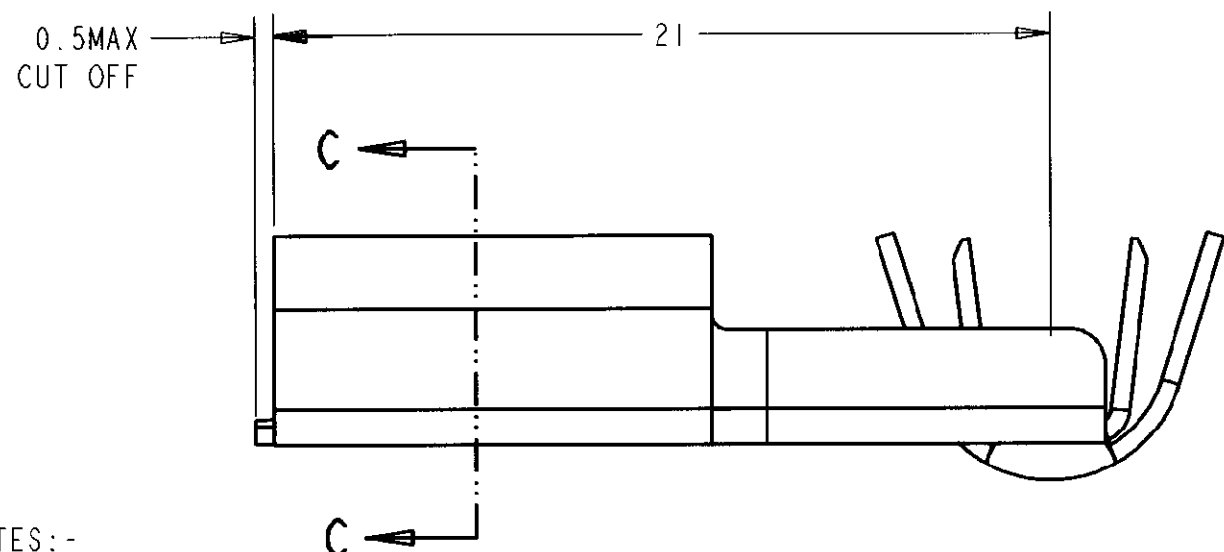


SECTION A-A  
SCALE 5:1

SECTION B-B  
SCALE 5:1



SECTION C-C  
SCALE 5:1



REV.	REEL OF	FINISH	MATERIAL	PART NUMBER
	-2	ELECTRO TIN	BRASS	154897-8
	-1	NONE	BRASS	154897-7
	151791-5	ELECTRO TIN	PHOS. BRONZE	154897-5
	151791-4	SILVER	PHOS. BRONZE	154897-4
	151791-3	NONE	PHOS. BRONZE	154897-3
	151791-2	ELECTRO TIN	BRASS	154897-2
	151791-1	NONE	BRASS	154897-1
	LOOSE PIECE	FINISH	MATERIAL	PART NUMBER

NOTES:-

INSULATION RANGE	LOG No
WITH 'F' CRIMP 3.42-4.88	576016-3
WITH 'O' CRIMP 4.87-5.94	576016-4

- SEE LOG SHEET FOR CRIMP WIDTH AND HEIGHT.
- WIRE RANGE 3-6mm<sup>2</sup>.

THIS DRAWING IS A CONTROLLED DOCUMENT FOR AMP INCORPORATED. IT IS SUBJECT TO CHANGE AND THE CONTROLLING ENGINEERING ORGANIZATION SHOULD BE CONTACTED FOR THE LATEST REVISION.

DWN D.R. TERRY 23-Dec-99  
CHK M. HUGHES 23-Dec-99  
APVD FWK 23-Dec-99

**AMP** AMP of Great Britain Ltd, Stanmore, Middlesex, HA7 4RS.

NAME: .375 SERIES FLAG FASTON RECEPTACLE

SIZE: A3 CAGE CODE: 00779 DRAWING NO: ©-154897

MATERIAL: SEE LIST FINISH: SEE LIST

CUSTOMER DRAWING SCALE: 5:1 SHEET: 1 OF 1 REV: M

## X-ON Electronics

Largest Supplier of Electrical and Electronic Components

*Click to view similar products for [Terminals](#) category:*

*Click to view products by [TE Connectivity](#) manufacturer:*

Other Similar products are found below :

[HT-13-10](#) [71M-250-32-NB](#) [01-2065-1-0216](#) [00581P0075](#) [M10-10RX](#) [M10BCK](#) [60205-1](#) [604200-1](#) [60598-1-CUT-TAPE](#) [60617-1-C](#) [60873-1](#) [M14-516R/SK](#) [M14-6RSX](#) [M18-10FLX](#) [M18-8FBX](#) [M18-8R/LX](#) [M18BCK](#) [61314-6-C](#) [61-S](#) [61-SN-A](#) [62-NBM-A](#) [63-S](#) [640179-1](#) [640917-2-CUT-TAPE](#) [6501550002](#) [66107-2-C](#) [696683-1](#) [696834-1](#) [696861-1](#) [696931-1](#) [696999-1](#) [M8-516RK](#) [M86700006](#) [MA250DMFMX-A](#) [701-2007](#) [701-2307](#) [701-7761-03](#) [70F-110-32-PB](#) [718-N-A](#) [71M-187-20-NBL](#) [71M-250-32-NBL](#) [72F-187-20-NBL](#) [72M-250-32-NBL](#) [7310](#) [73F-250-32](#) [73F-250-32-NBL](#) [73F-250-32-NL](#) [F14-10C](#) [F-1M](#) [751-250](#)