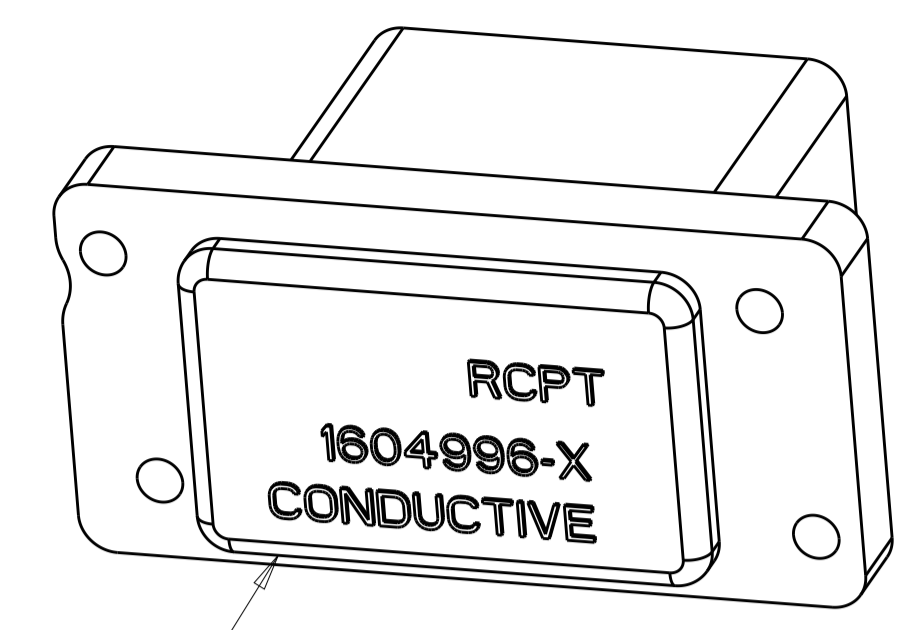
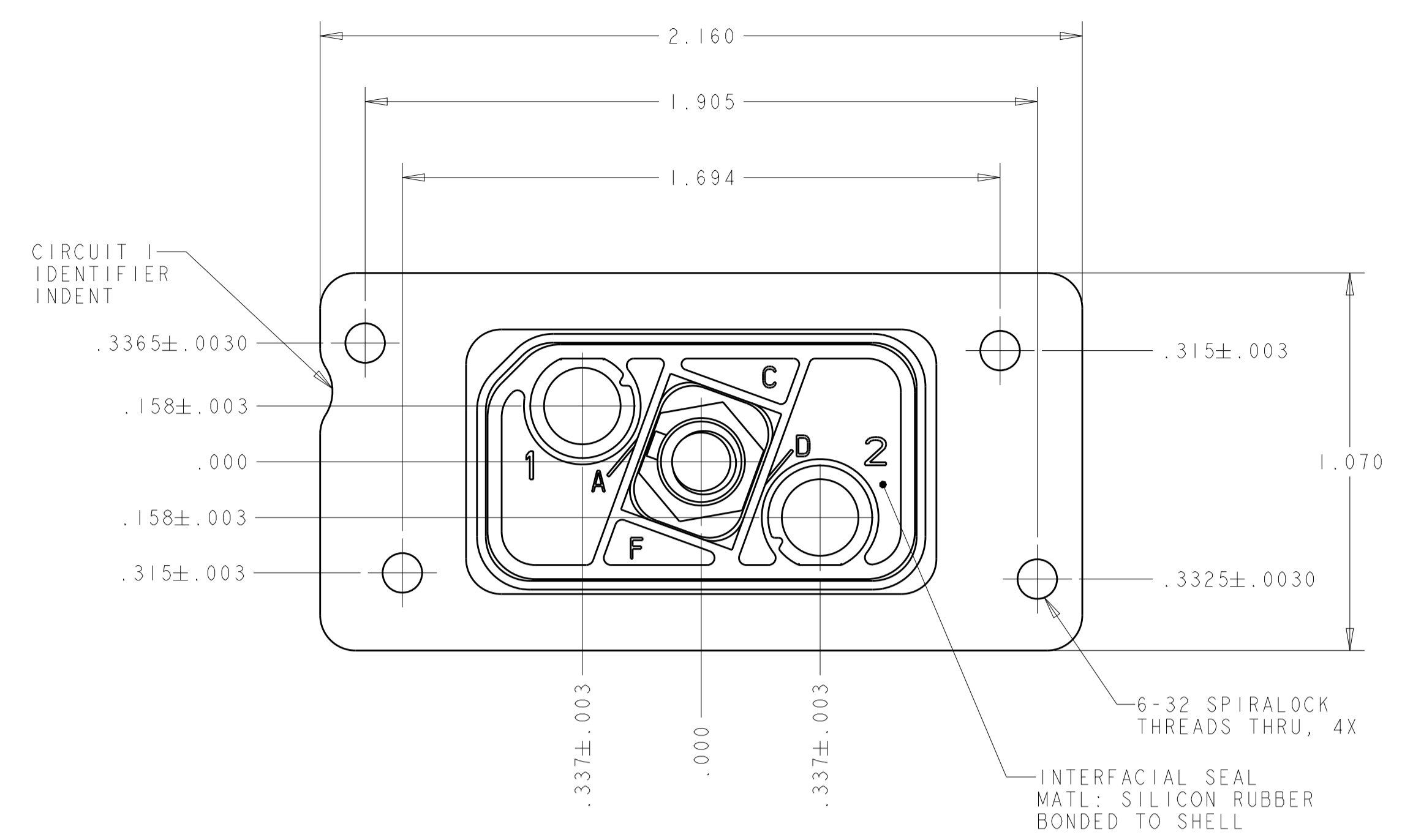


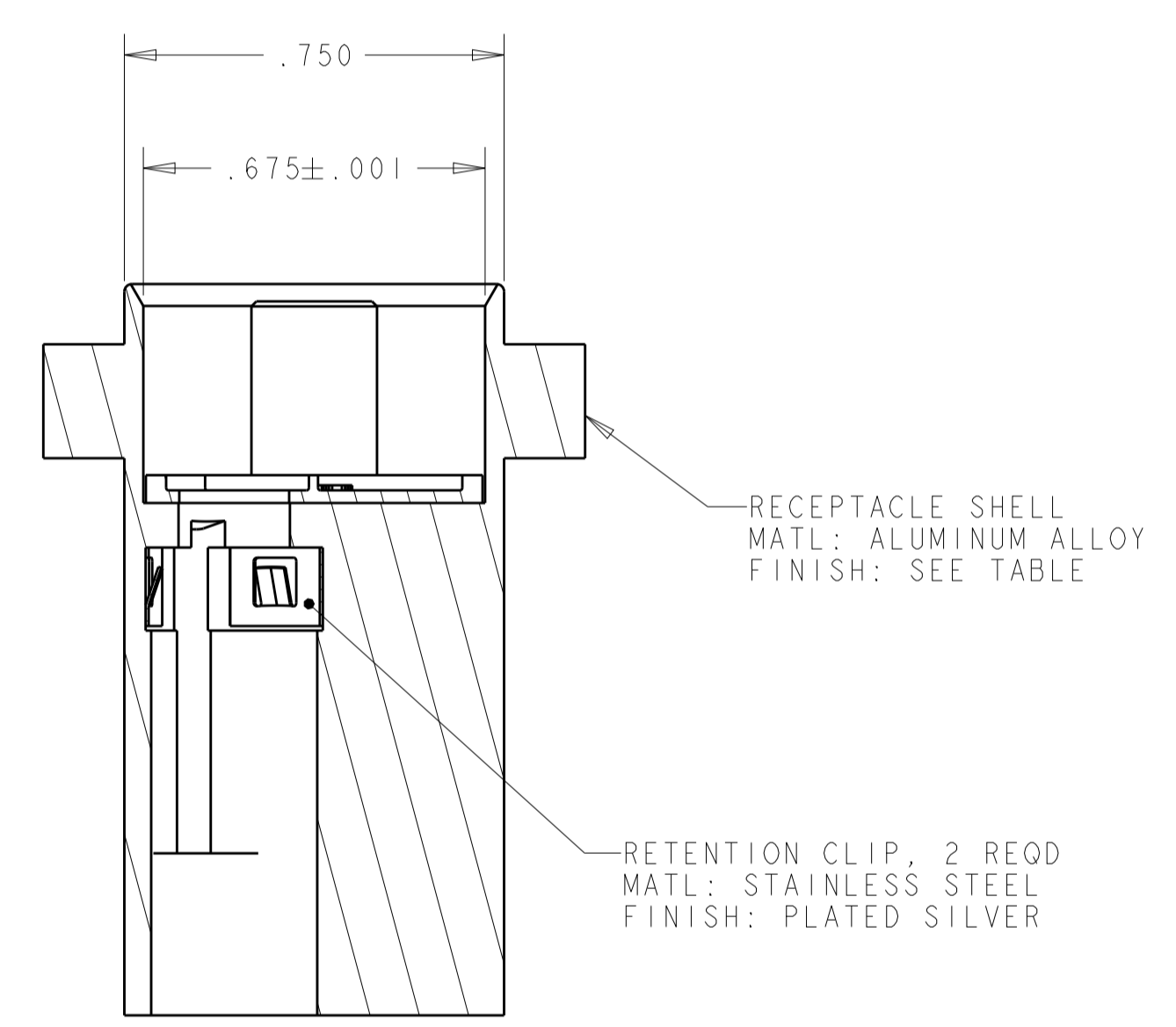
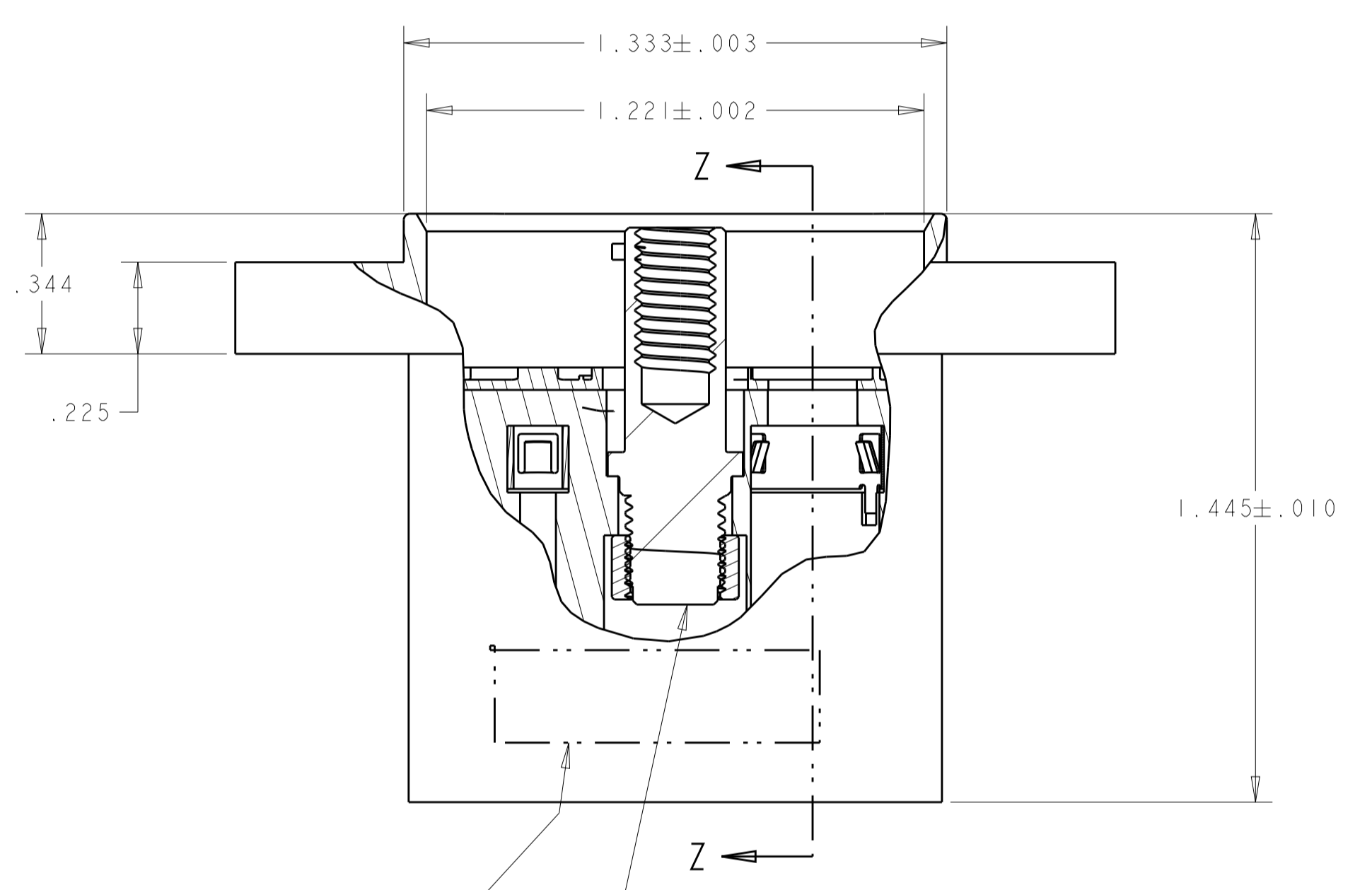
LOC		DIST		REVISIONS			
P	LTN	DESCRIPTION	DATE	DMN	APVD		
E		REV PER ECO 13-008491	6-3-13	CT	DM		



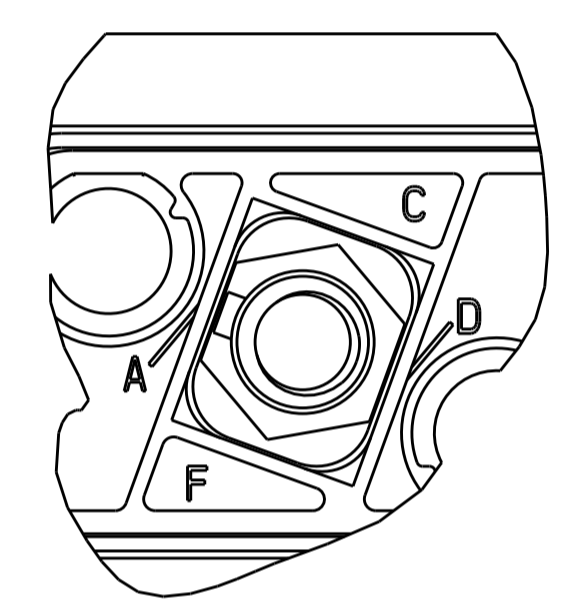
SCALE 2:1
 ESD DUST COVER; PART NUMBER 1604996-2 INCLUDED WITH ASSEMBLIES

SHOWN WITH DUST COVER

⚠ JACKPOST-RETENTION NUT KIT IS UNASSEMBLED TO CONNECTOR ASSY. KIT IS PACKAGED IN SEALED BAG.



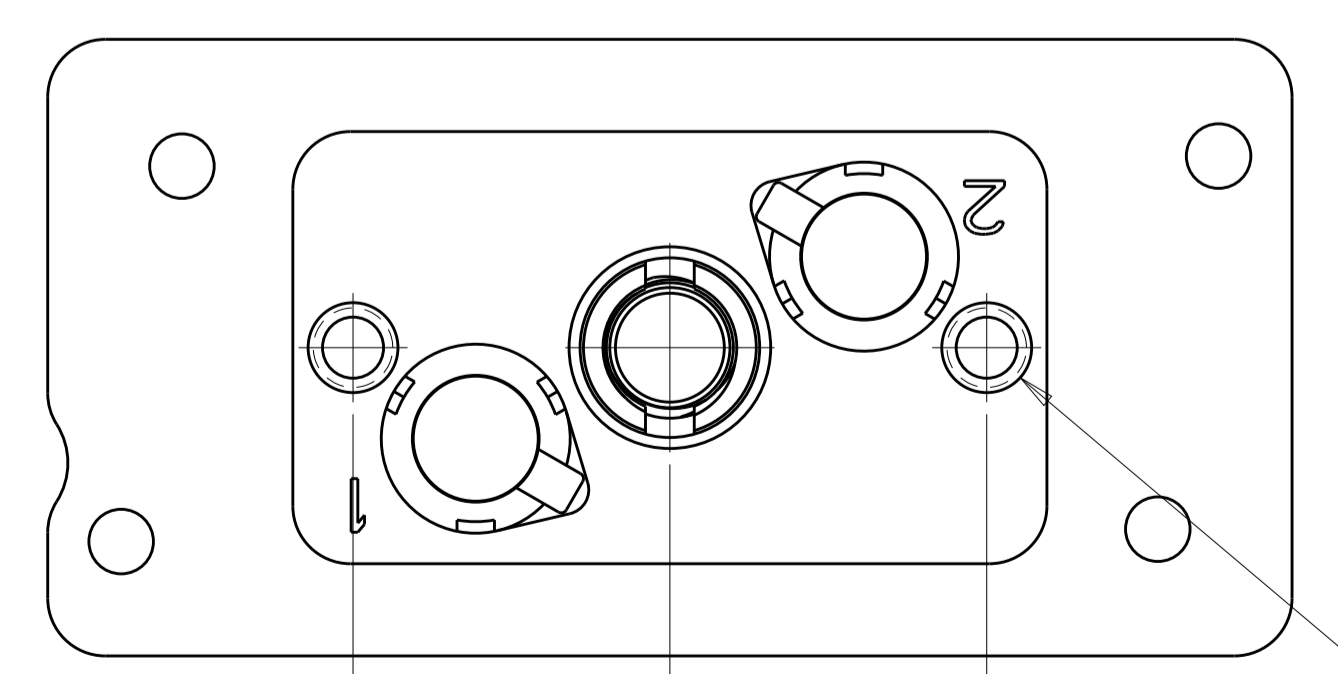
SECTION Z-Z



MARKING ON INTERFACIAL SEAL WILL ONLY SHOW A,C,D AND F (CODE A SHOWN FOR REFERENCE)

TE LOGO, DATE CODE AND EITHER CUSTOMER OR TE PART NUMBER (PER TABLE) MARKED APPROX AS SHOWN ON NEAR OR FAR SIDE

⚠ JACKPOST AND RETENTION NUT KIT, SEE DESCRIPTION



∅.156±.021
 6-32 ∅.63 SPIRALLOCK THREADS, 2X (FOR ATTACHING BACKSHELL KIT 1604905-1)

RECOMMENDED CONTACT WITH WIRE SEAL	CUSTOMER PART NUMBER	SHELL FINISH	DESCRIPTION	PART NO.
1445692-4	BACC65BD2N	ELECTROLESS NICKEL	⚠ WITH JACKPOST-RETENTION NUT KIT (FLAT PLZN) (NOT INSTALLED) INCLUDES DUST COVER	1604897-8
1445692-3	HWI20822-AK2A	ELECTROLESS NICKEL	JACKPOST ASSEMBLED PLZN CODE A	1604897-7
1445692-4	BACC65BD2NA	ELECTROLESS NICKEL	JACKPOST ASSEMBLED PLZN CODE A	1604897-6
1445692-3	---	ELECTROLESS NICKEL	⚠ WITH JACKPOST-RETENTION NUT KIT (FLAT PLZN) (NOT INSTALLED) INCLUDES DUST COVER	1604897-5
OBSELETE	1445692-4	BACC65BD2A	BLACK ANODIZED	1604897-4
SUPERSEDED BY 1604897-5	1445692-2	---	⚠ WITH JACKPOST-RETENTION NUT KIT (FLAT PLZN) (NOT INSTALLED) INCLUDES DUST COVER	1604897-2

OBSELETE
 SUPERSEDED BY 1604897-5

THIS DRAWING IS A CONTROLLED DOCUMENT. DWN: BJOHN 06JUN03
 CHK: W.H.BERNHART 16MAR04
 APVD: W.H.BERNHART 16MAR04

STE TE Connectivity

NAME: ASSEMBLY, RECEPTACLE, QUADRAX, PANEL MOUNT, RR/RR, 2 POSN

SIZE: A1 CAGE CODE: 1604897 DRAWING NO: 100779

SCALE: 3:1 SHEET: 1 OF 1 REV: E

X-ON Electronics

Largest Supplier of Electrical and Electronic Components

Click to view similar products for [Rack & Panel Connectors](#) category:

Click to view products by [TE Connectivity](#) manufacturer:

Other Similar products are found below :

[00170420102](#) [00171420202](#) [00171440002](#) [008026165000265](#) [00-8219-072-000-112P44](#) [008219072000112P5](#) [02-014-013-5200-000](#) [613467-000](#) [CTJ112E01E-513](#) [CTJ116E03A-513](#) [M81714/63-22S L/C](#) [M81714/65-12-1](#) [66020-2](#) [CW8958-000](#) [699886-000](#) [D250-50632](#)
[70.400.3240.0](#) [70.955.2453.3](#) [733753-000](#) [F22831-000](#) [780-522-DPX34RG8-02](#) [MMA25-0341D1](#) [8660-501](#) [87.060.0053.0](#) [900709N001](#)
[QRP4-12P-C\(01\)](#) [QR/P6-6S-C\(01\)](#) [AC-600003-004](#) [1218600-1](#) [D-659-0061](#) [DMC-MD 24 C-T](#) [1-445717-6](#) [1484398-2](#) [1484399-2](#) [1484469-2](#) [MR-34MG](#) [1484225-1](#) [1484398-1](#) [1604997-2](#) [1663130-1](#) [1663767-7](#) [1663767-8](#) [MTC100-BF1-P31CS015](#) [MTC100-KT2-0083](#) [MTC100-KT2-0123-003](#) [MTC100-YA1-005](#) [MTCB1X-105-XXX](#) [MTCPQKT1P2PGDC](#) [MTCPQKT1R2PGCA](#) [MTCR-103-04S](#)