

31 LUBRICATED

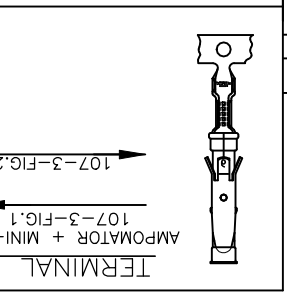
- 1 UL RECOGNIZED UNDER E28476 VOL VI SEC 1
- 2 FOR CRIMP DETAILS SEE SPEC. 114-19000
- 3 MEETS PRODUCT SPECIFICATION 108-10042
- 4 OBSOLETE PARTS: OBSOLETE CIS STREAMLINING PER D.RENAUD/D.SINISI
- 5 OBSOLETE
- 6 OMISSION OF 6 CONTACTS MAX PER REEL OF 5000PCS

NOTES :

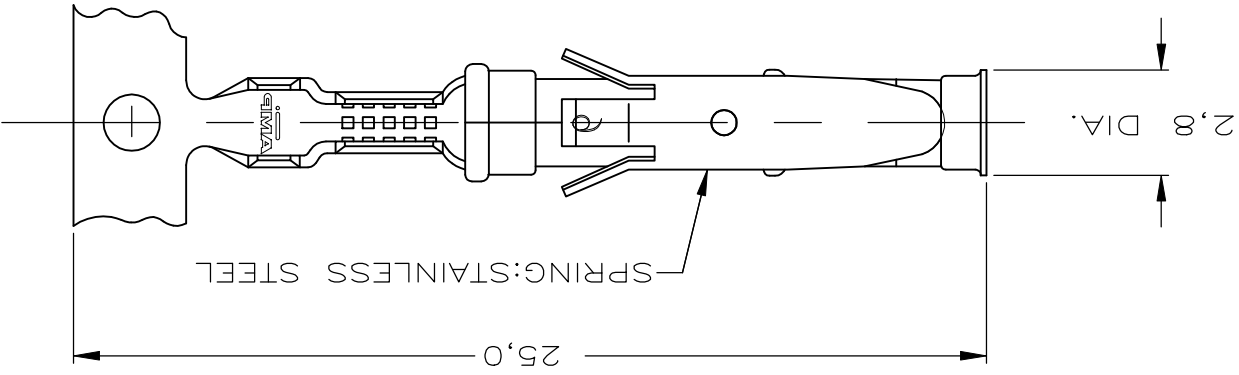
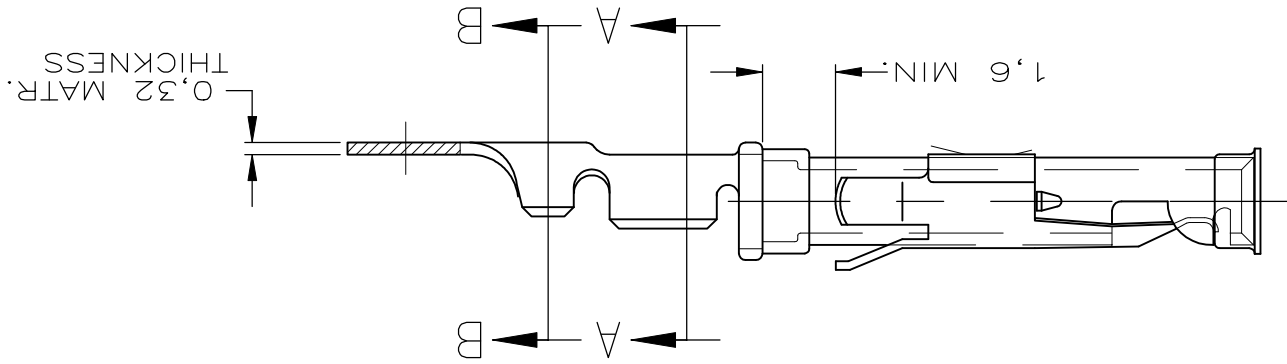
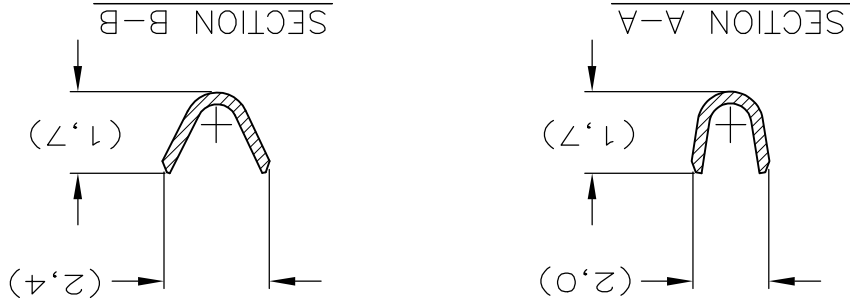
NOTES	MATERIAL	THICKNESS	AREA
20	TIN	2,0 μm	ALL OVER
21	NICKEL	ALL OVER	ALL OVER
22	GOLD	0,8 μm	CONTACT AREA
23	NICKEL	ALL OVER	CONTACT AREA
24	GOLD	0,8 μm	CONTACT AREA
25	SILVER	0,5 μm	ALL OVER
26	SILVER	2,5 μm	CONTACT AREA
27	TIN	ALL OVER	BARREL
28	SILVER	1,2 μm	ALL OVER
29	NICKEL	2,5 μm	ALL OVER
30	TIN	1,27 μm	ALL OVER

REFER TABLE	MATERIAL
0 PLC	± -
1 PLC	± -
2 PLC	± -
3 PLC	± -
4 PLC	± -

DIMENSIONS: mm



WIRE RANGE : 0.12-0.20 mm² (26-24 AWG)
 INSUL. RANGE : 0.9 -1.4 mm (.035-.055)



REFER TABLE	REFER TABLE
FINISH	FINISH
ANGLE	± -
PLC	± -
PLC	± -
PLC	± -
PLC	± -
PLC	± -

THIS DRAWING IS A CONTROLLED DOCUMENT.
 TOLERANCES UNLESS OTHERWISE SPECIFIED:

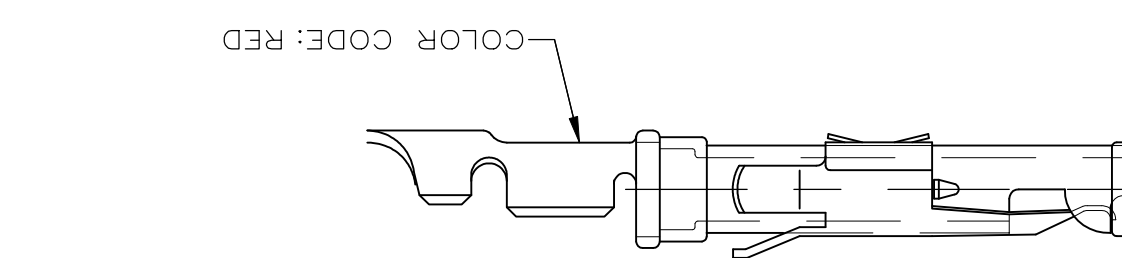
31 OBSOLETE

31 OBSOLETE

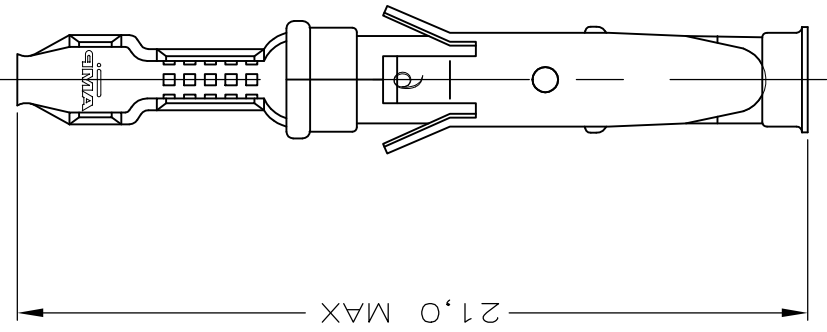
NAME	APVD	CHK	DWN
L.V.SOEST	20.08.87	P.V.D.HAGEN	19.08.87
L.V.D.HEIJDEN	20.08.87		

PART NUMBER	LOOSE-PIECE	MATERIAL	DIRECTION OF REEL
163091-1	163092-1	BRASS	B
163091-2	163092-2	BRASS	B
163091-8		BRASS	A
163091-9		BRASS	A
1-163091-0	1-163092-0	BRASS	B
1-163091-1		BRASS	A
1-163091-2	1-163092-2	BRASS	A
1-163091-3	1-163092-3	BRASS	A

PLATING	MATERIAL	LOOSE-PIECE	DIRECTION OF REEL
EL.TIN	BRASS	163092-1	B
SEL.GOLD	BRASS	163092-2	B
SEL.GOLD	BRASS		A
EL.TIN	BRASS		A
ECON.GOLD	BRASS	1-163092-0	B
ECON.GOLD	BRASS		A
BR.TIN	BRASS	1-163092-2	A
EL.TIN	BRASS	1-163092-3	A



LOOSE-PIECE



REVISIONS	DESCRIPTION	DATE	DWN	APVD
Y5	REVISED PER ECO-18-010674	06JUL2018	RS	MZ

THIS DRAWING IS UNPUBLISHED. RELEASED FOR PUBLICATION

ALL RIGHTS RESERVED.

X-ON Electronics

Largest Supplier of Electrical and Electronic Components

Click to view similar products for [Standard Circular Contacts](#) category:

Click to view products by [TE Connectivity](#) manufacturer:

Other Similar products are found below :

[M24308/4-14F](#) [12110600010](#) [129591AU](#) [1000B BULK](#) [RFM26W-1D28](#) [RM20M13D28](#) [RM24M9D28](#) [MS3474W10-6P L/C](#) [164-901-CD](#)
[1900ND02P2B00A](#) [192900-0082](#) [192900-0356](#) [ST-JL05-16S-C3-100](#) [T01-CRIMP-S03](#) [APK-SA16A07-002](#) [CONT-JL05-08S-C2-10](#)
[RC16M-23T](#) [RFD26L-1D28](#) [M85049/124S13W](#) [JN1-22-20S-R-PKG100](#) [031-50565](#) [031-50794](#) [SJS861301M](#) [CF16SC18RF](#) [CONT-JL05-](#)
[08P-C1-10](#) [ST-JL05-16P-C1-100](#) [ST-JL05-16S-C1-100](#) [ST-JL05-20P-C1-100](#) [ST-JN5-S-C1B-2500-\(A534G\)](#) [82911466K](#) [82911467NK](#)
[84690-0106](#) [M81714/67-21](#) [M24308/2-11F](#) [HN0201600031](#) [M85049/118S20W](#) [031-50969-010](#) [T3P16FC3LZ](#) [ST-JL05-16S-C2-3500](#) [ZP-](#)
[4016-10NF](#) [HN0201600022](#) [M24308/2-290F](#) [T3P22MC1LY](#) [CONT-JL05-08P-C2-10](#) [M24308/2-283Z](#) [CONT-JL05-12P-C1-10](#)
[RM20M12G8D28](#) [031-50676](#) [12115010110](#) [SAM12C-03G03](#) [CAP-DACMDPC2](#)