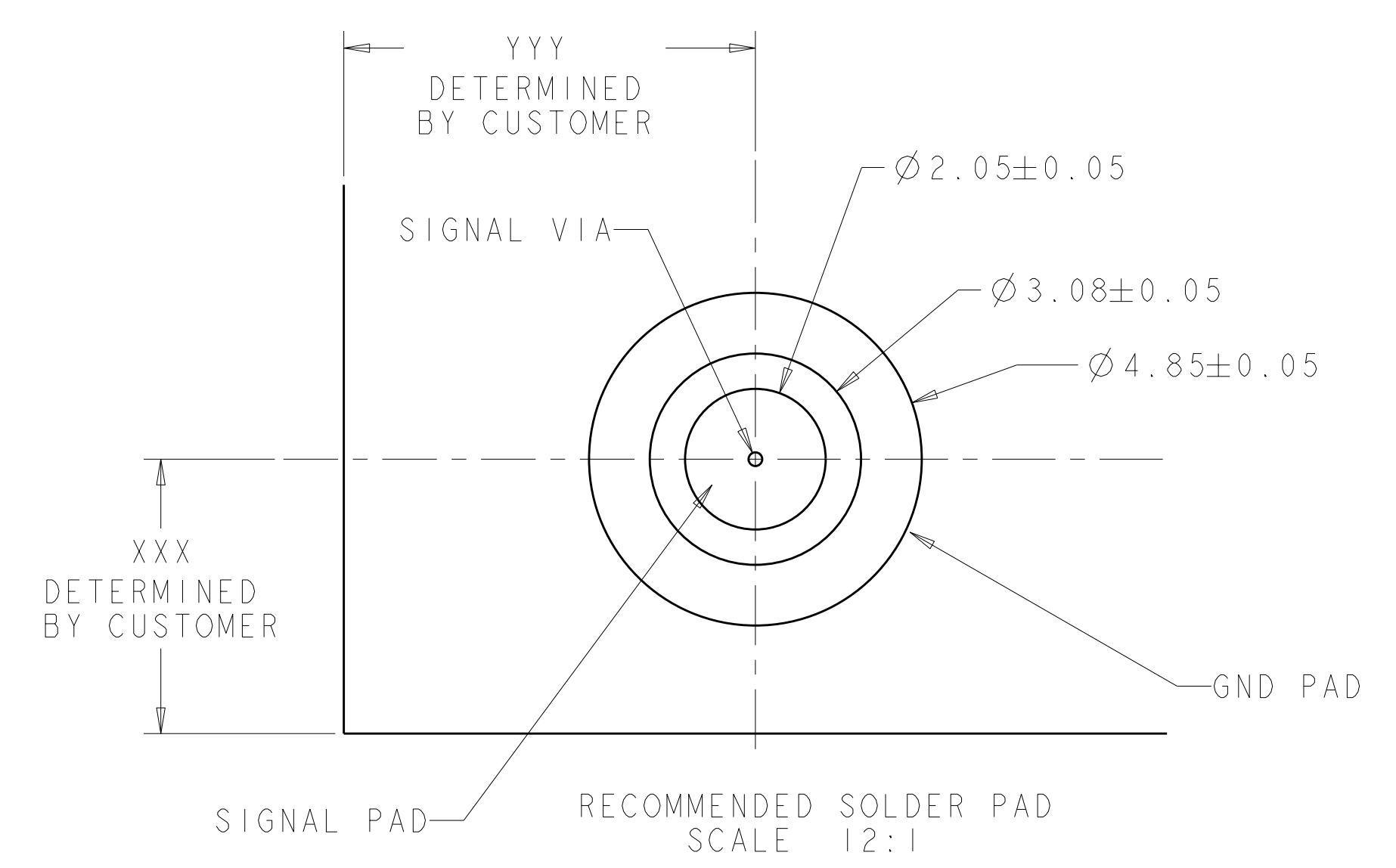
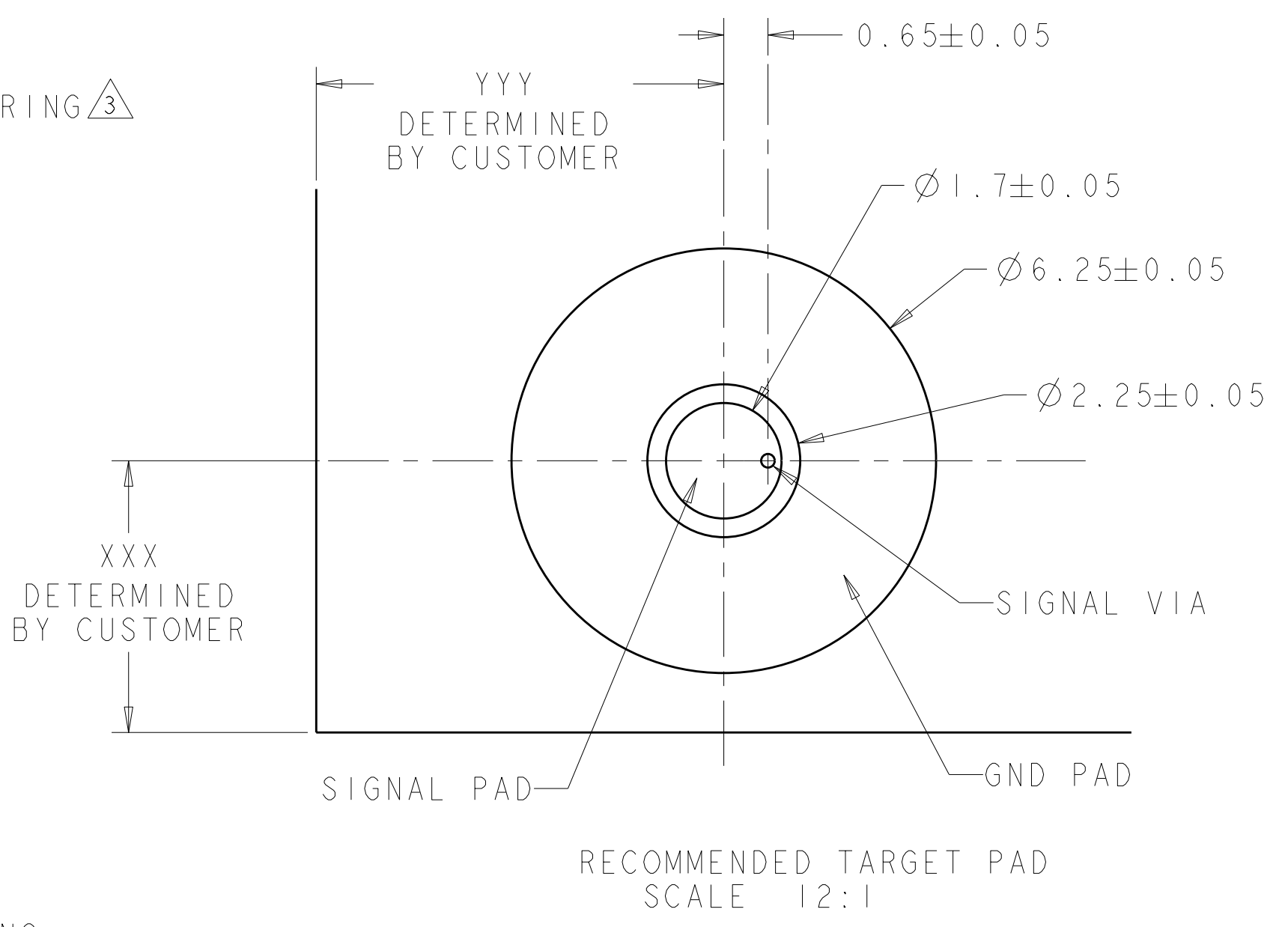
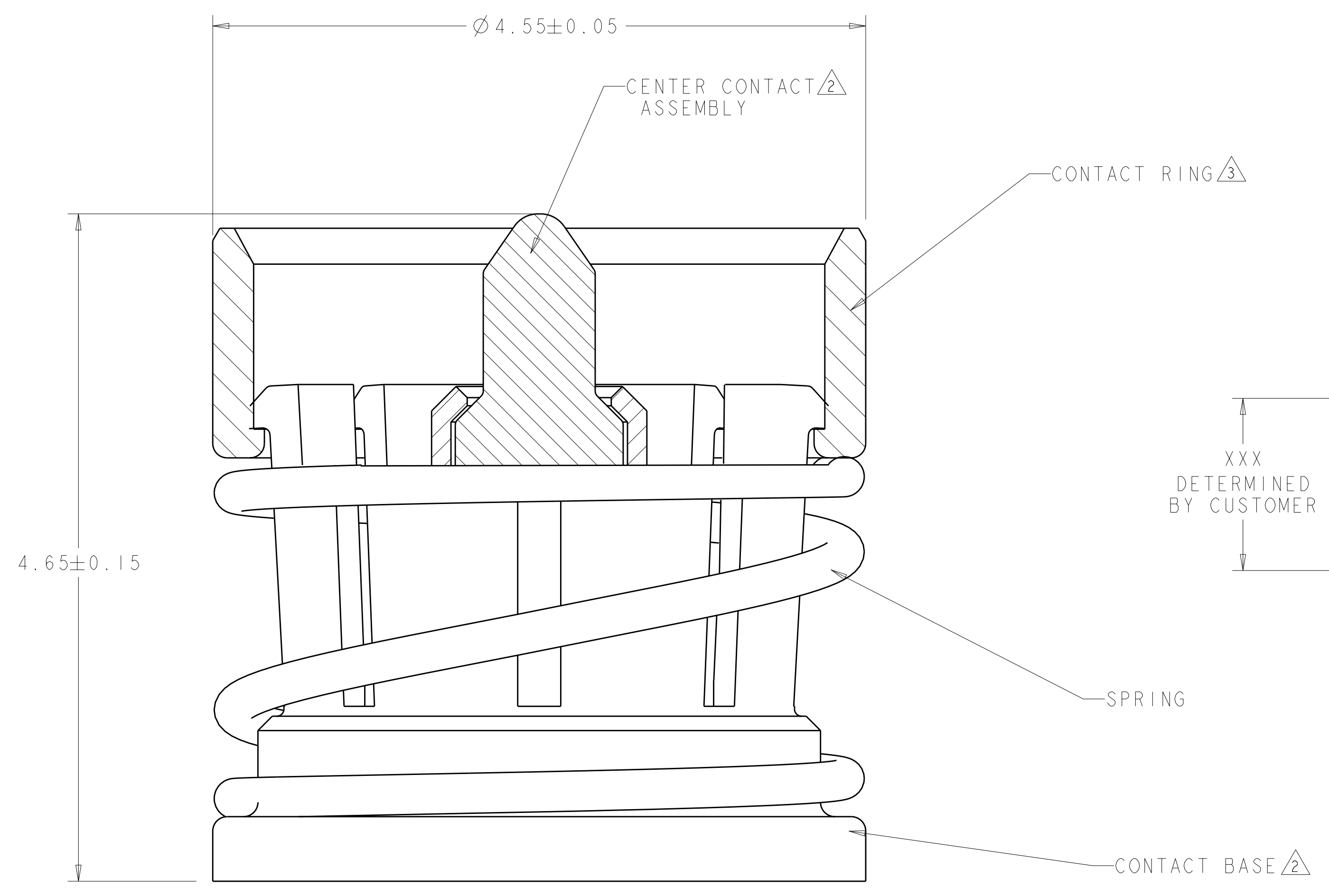
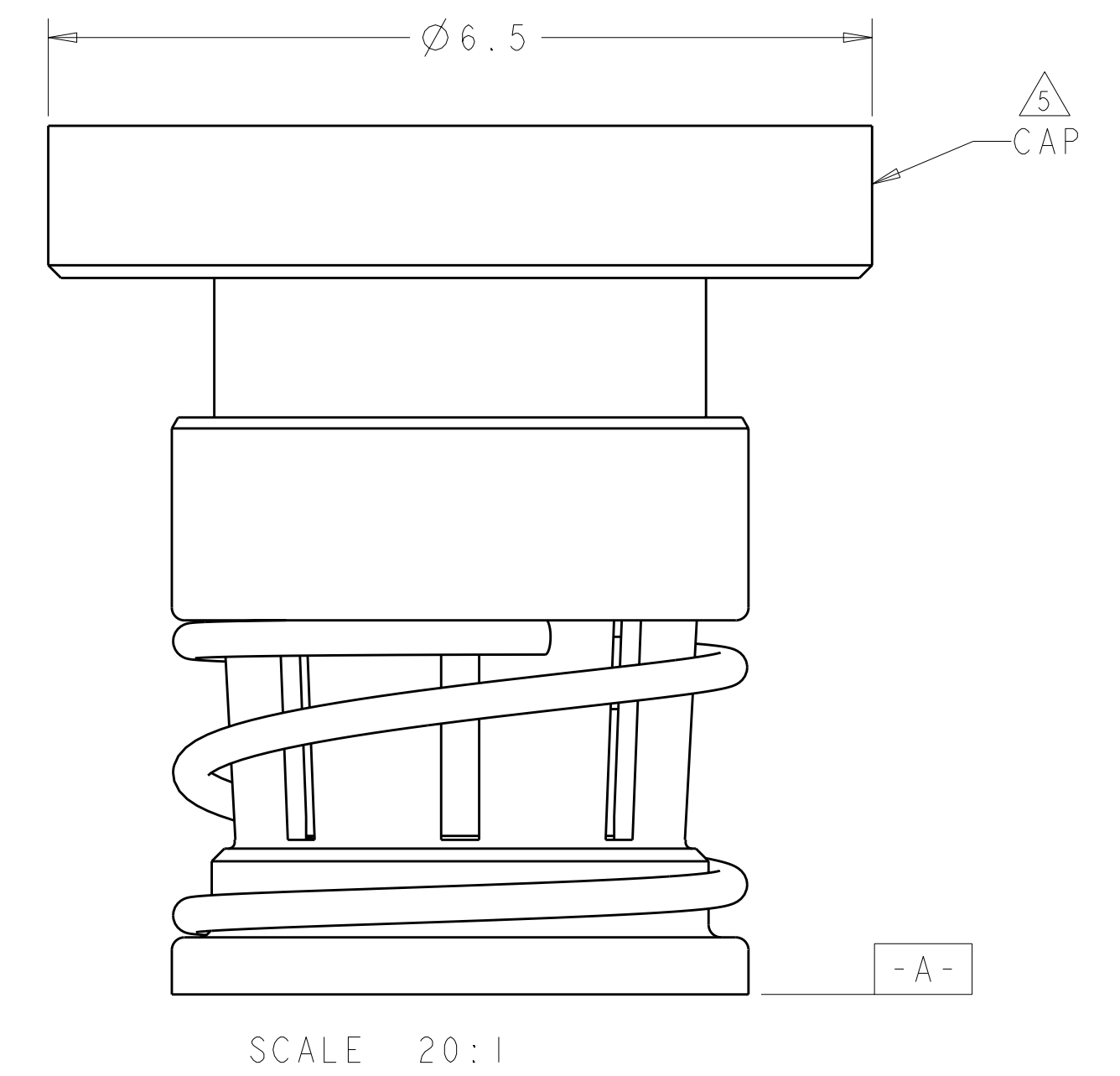
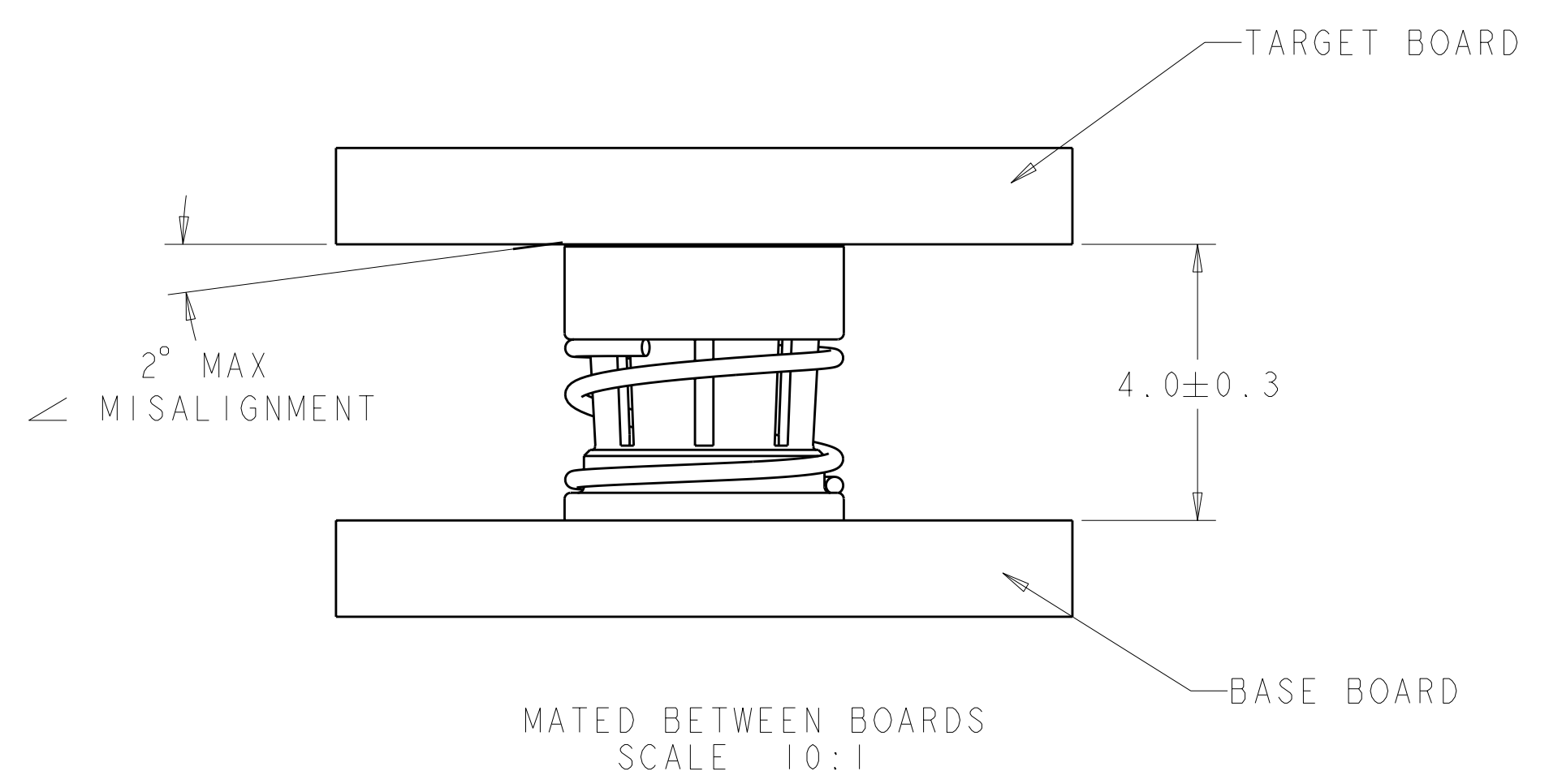
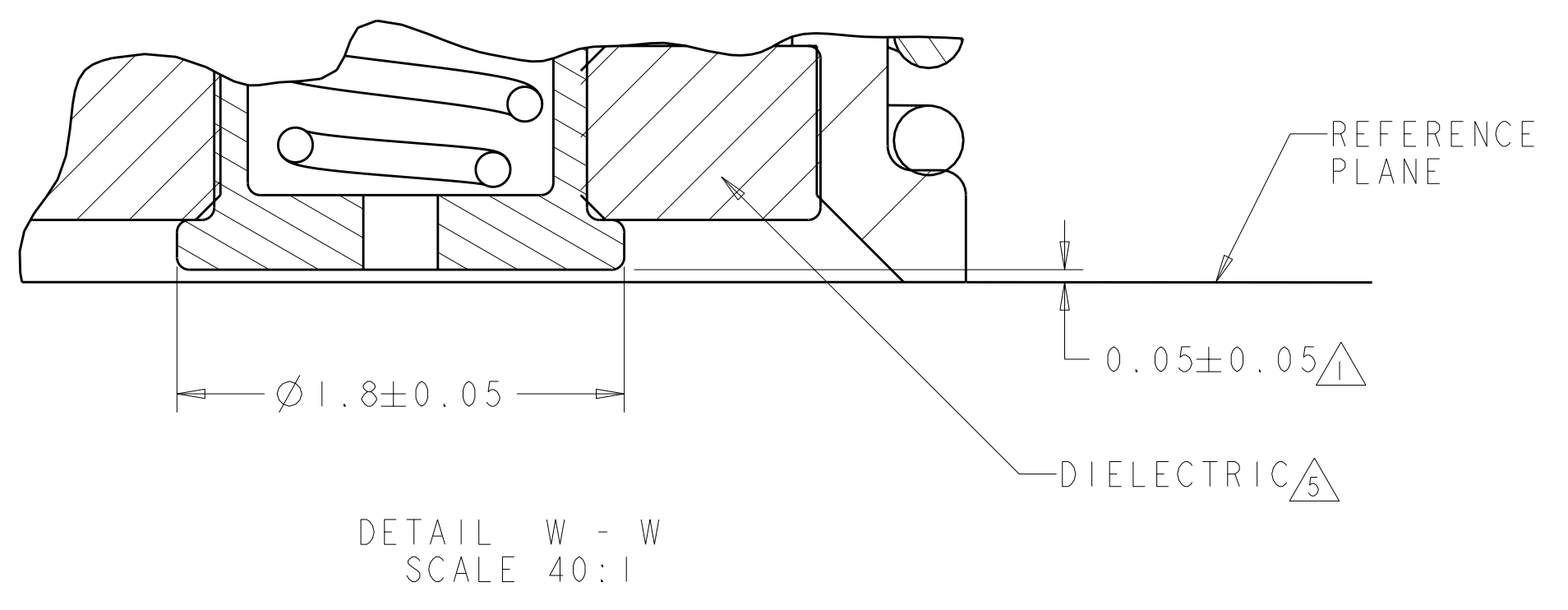
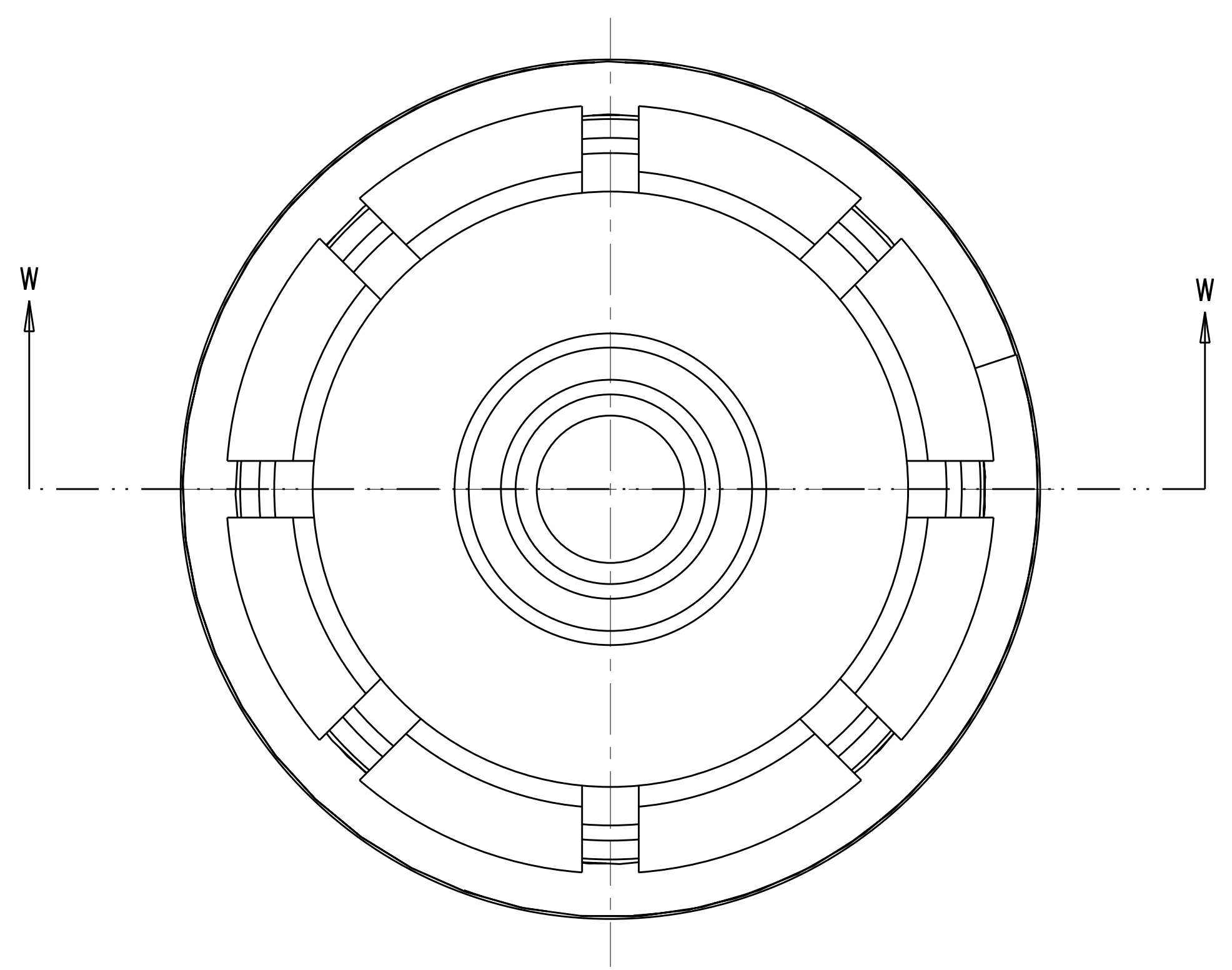


LOC	DIST	REV	DATE	BY	CHKD	APVD
AG	00	E1	24MAR2011	RK	HMR	

- 1 POSITION CENTER CONTACT
- 2 MATERIAL: PHOS - BRONZE, PLATING: 0.3 - 0.5 μm MIN GOLD OVER 4.0 - 6.0 μm MIN NICKEL.
- 3 MATERIAL: BRASS, PLATING: 0.3 - 0.5 μm MIN GOLD OVER 4.0 - 6.0 μm MIN NICKEL.
- 4 MISALIGNMENT BETWEEN CONNECTOR AXIS AND TARGET PAD, 0.80 mm MAX.
- 5 MATERIAL: PTFE

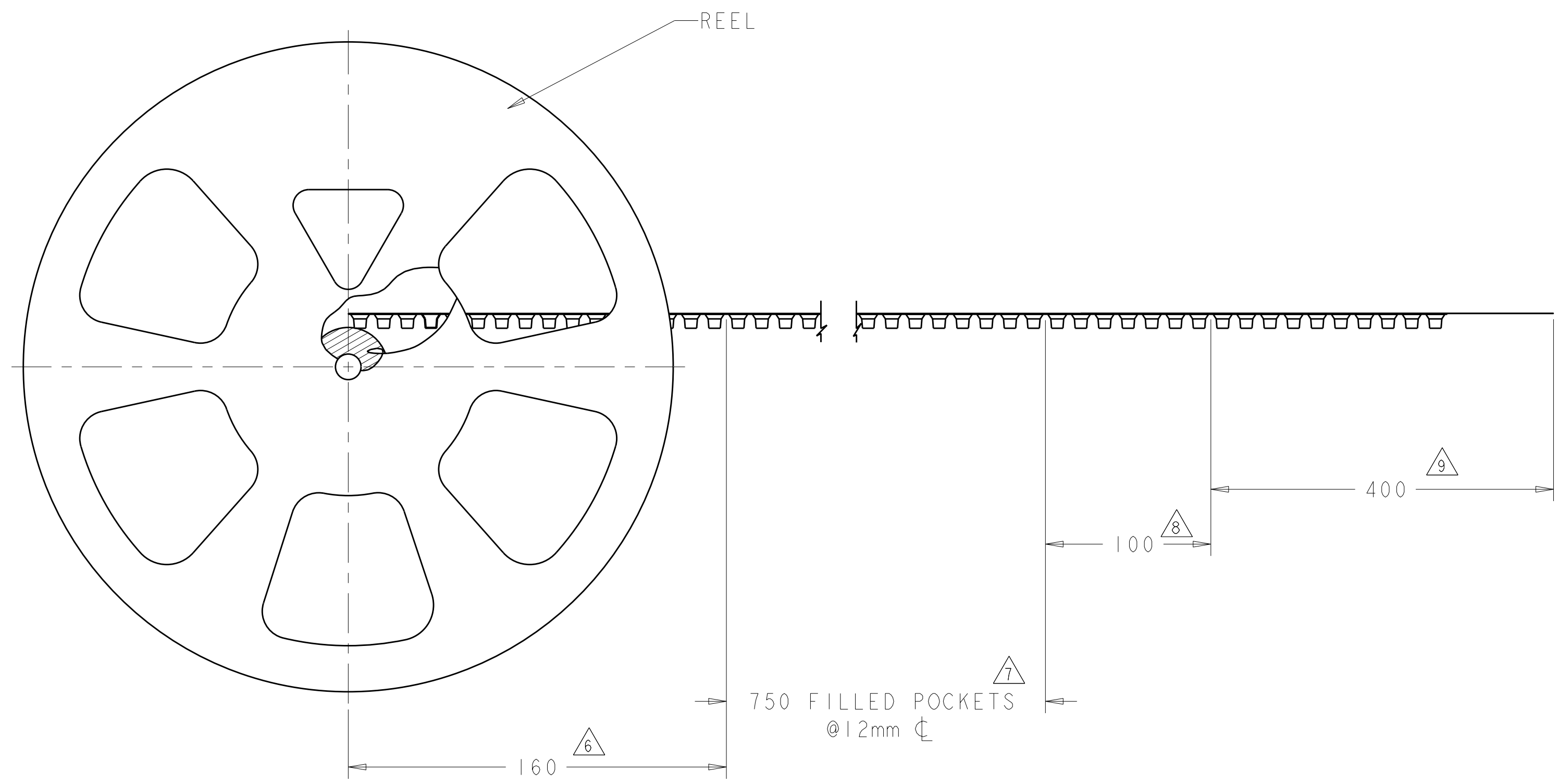
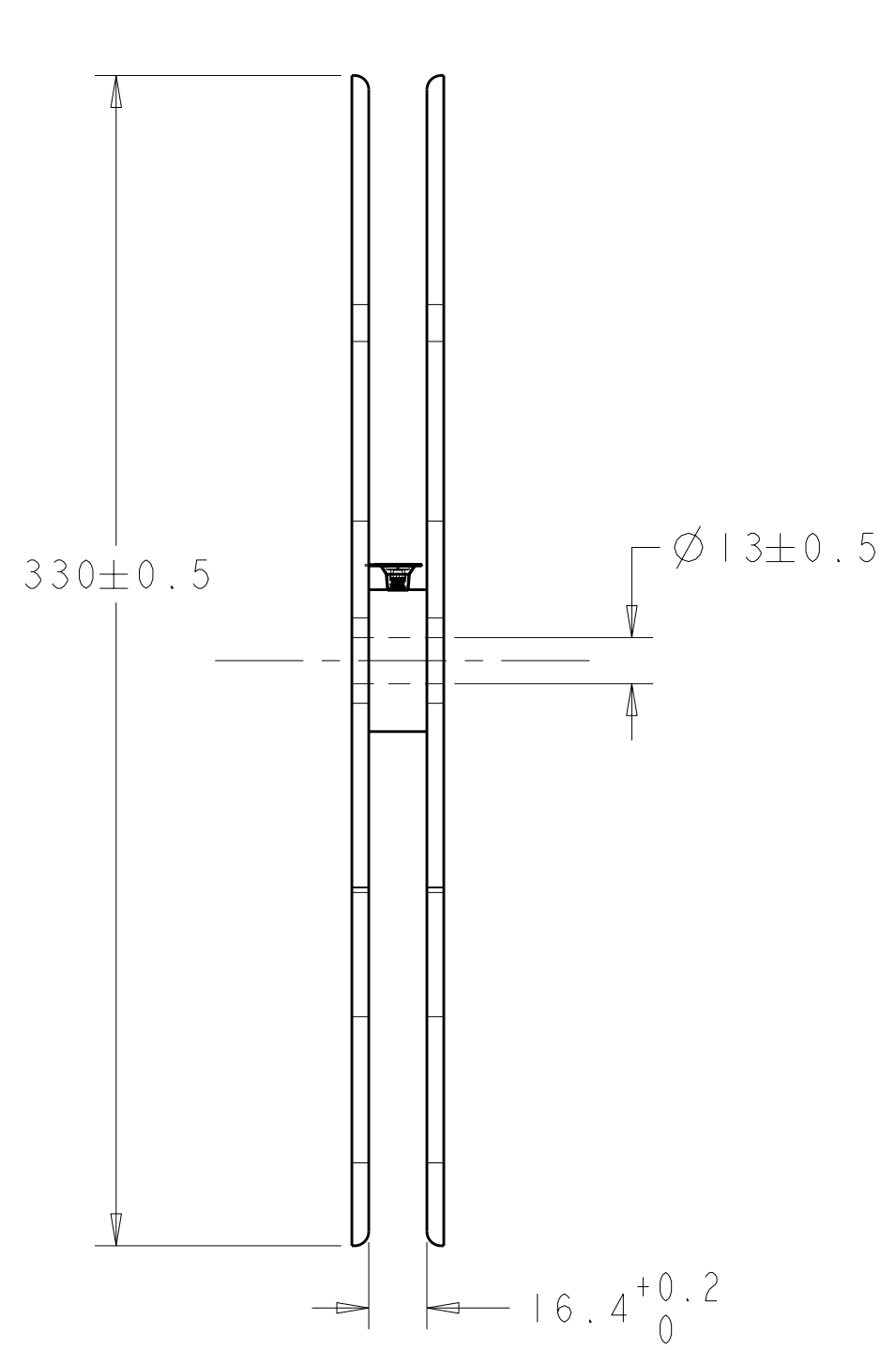
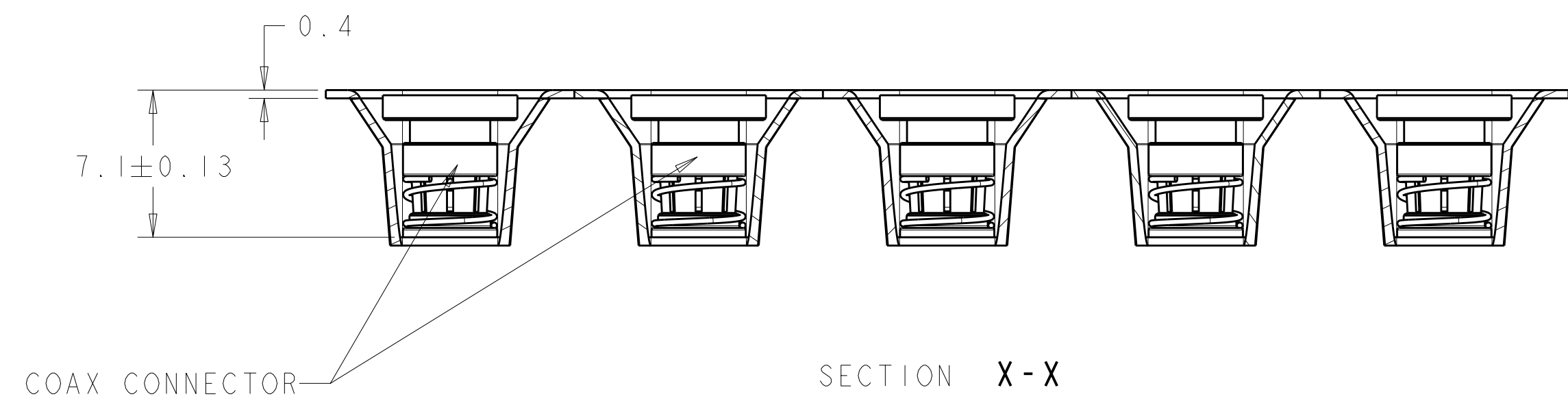
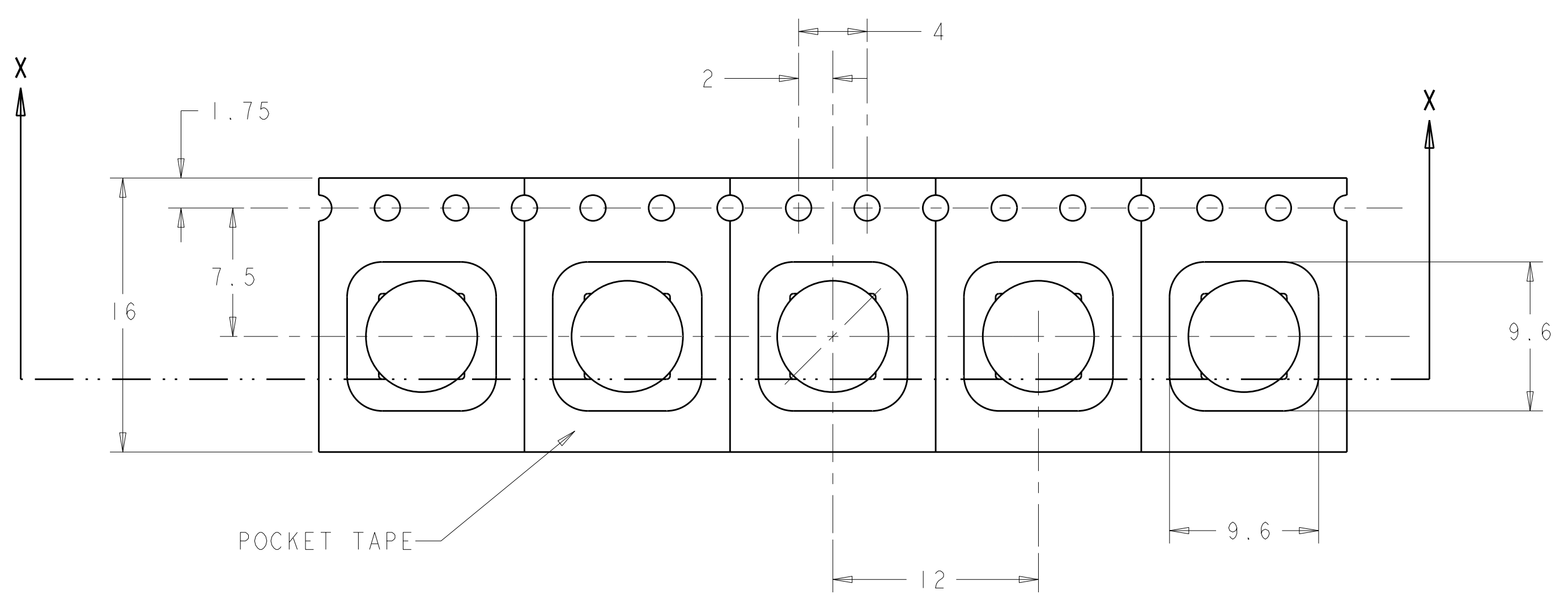


QTY	DESCRIPTION	PART NUMBER
750	REELED CONNECTOR	1658260-2
L/P	COAX CONNECTOR	1658260-1

THIS DRAWING IS A CONTROLLED DOCUMENT.

DIMENSIONS:	TOLERANCES UNLESS OTHERWISE SPECIFIED:	DATE: 21 JAN 2003	BY: M. VAN SCOIC	CHKD: M. PHILLIPS	APVD: M. PHILLIPS
mm	0 PLC ±0.2 1 PLC ±0.2 2 PLC ±0.25 3 PLC ±0.25 4 PLC ±0.25 ANGLES ±0.1°	PRODUCT SPEC	NAME	TE Connectivity	RESTRICTED TO
MATERIAL:	FINISH	APPLICATION SPEC	SIZE	CAGE CODE	DRAWING NO
		WEIGHT	A1100779	C=1658260	SCALE 40:1
CUSTOMER DRAWING		SHEET 1 OF 2		REV E1	

LOC	DIST	REVISIONS			
AG	00	REV	DATE	DWN	APVD
		-	SEE SHEET 1	-	-



- △ 6 TRAILER, EMPTY POCKETS WITH COVER TAPE.
- △ 7 CARRIER POCKETS FILLED WITH 1658260-2, WITH COVER TAPE.
- △ 8 LEADER, EMPTY POCKETS WITH COVER TAPE.
- △ 9 LEADER COVER TAPE.
- 10. REELED PRODUCT PER SPEC EIA 481

THIS DRAWING IS A CONTROLLED DOCUMENT.		DWN: MM VAN SCOIC 21JAN2003	TE Connectivity
DIMENSIONS: mm		CHK: M. PHILLIPS 21JAN2003	
TOLERANCES UNLESS OTHERWISE SPECIFIED:		APVD: M. PHILLIPS 21JAN2003	NAME: CONNECTOR, COAXIAL, BOARD TO BOARD 4.0 mm HEIGHT
0 PLC ±	1 PLC ±0.2	PRODUCT SPEC	SIZE: CAGE CODE: DRAWING NO: A100779C=1658260
2 PLC ±0.05	3 PLC ±	APPLICATION SPEC	RESTRICTED TO
4 PLC ±	ANGLES ±	WEIGHT	SCALE: 40:1 SHEET 2 OF 2 REV: E
MATERIAL	FINISH	CUSTOMER DRAWING	

## X-ON Electronics

Largest Supplier of Electrical and Electronic Components

*Click to view similar products for [Board to Board & Mezzanine Connectors](#) category:*

*Click to view products by [TE Connectivity](#) manufacturer:*

Other Similar products are found below :

[10135583-642402LF](#) [89885-310LF](#) [589158040000018](#) [6-1393048-0](#) [68683-613](#) [MDF7-12DP-2.54DSA](#) [MDF7-18P-2.54DSA\(01\)](#) [MDF7-20DP-2.54DSA](#) [MDF7-26D-2.54DSA\(55\)](#) [MDF7-3P-2.54DSA\(01\)](#) [MDF7B-3P-2.54DSA\(55\)](#) [MDF7C-11P-2.54DSA\(55\)](#) [MDF7C-18P-2.54DSA\(55\)](#) [MDF7C-5P-2.54DSA\(01\)](#) [MDF7P-5P-2.54DSA\(55\)](#) [75234-0516](#) [FCN-230C068-11](#) [FCN-268F012-G/BD](#) [FCN-268F036-G/BD](#) [FCN-268M012-G/0D](#) [FCN-268M024-G/1D](#) [FCN-360C008-C](#) [FCN-360C040-C](#) [FCN-723J004/1](#) [MIS-048-01-F-D-DP-K](#) [832-10-034-10-001000](#) [93696-325LF](#) [11828-1FA](#) [AXK630345P](#) [18097-0013](#) [ICA-328STT](#) [2007042-2](#) [304400-2](#) [FCN-214Q030-G/0](#) [FCN-215Q040-G/0](#) [FCN-230C068-ESA](#) [FCN-234P048-G/0](#) [FCN-235D050-G/C](#) [FCN-360A3](#) [FCN-360C040-B](#) [210-93-314-41-105000](#) [2-22603-0](#) [379-064-521-202](#) [MDF7-12P-2.54DSA\(01\)](#) [MDF7-16P-2.54DS\(56\)](#) [MDF7-40DP-2.54DSA\(55\)](#) [MDF7-8P-2.54DSA\(55\)](#) [MDF7B-16P-2.54DSA\(55\)](#) [AXG720047](#) [5031084030](#)