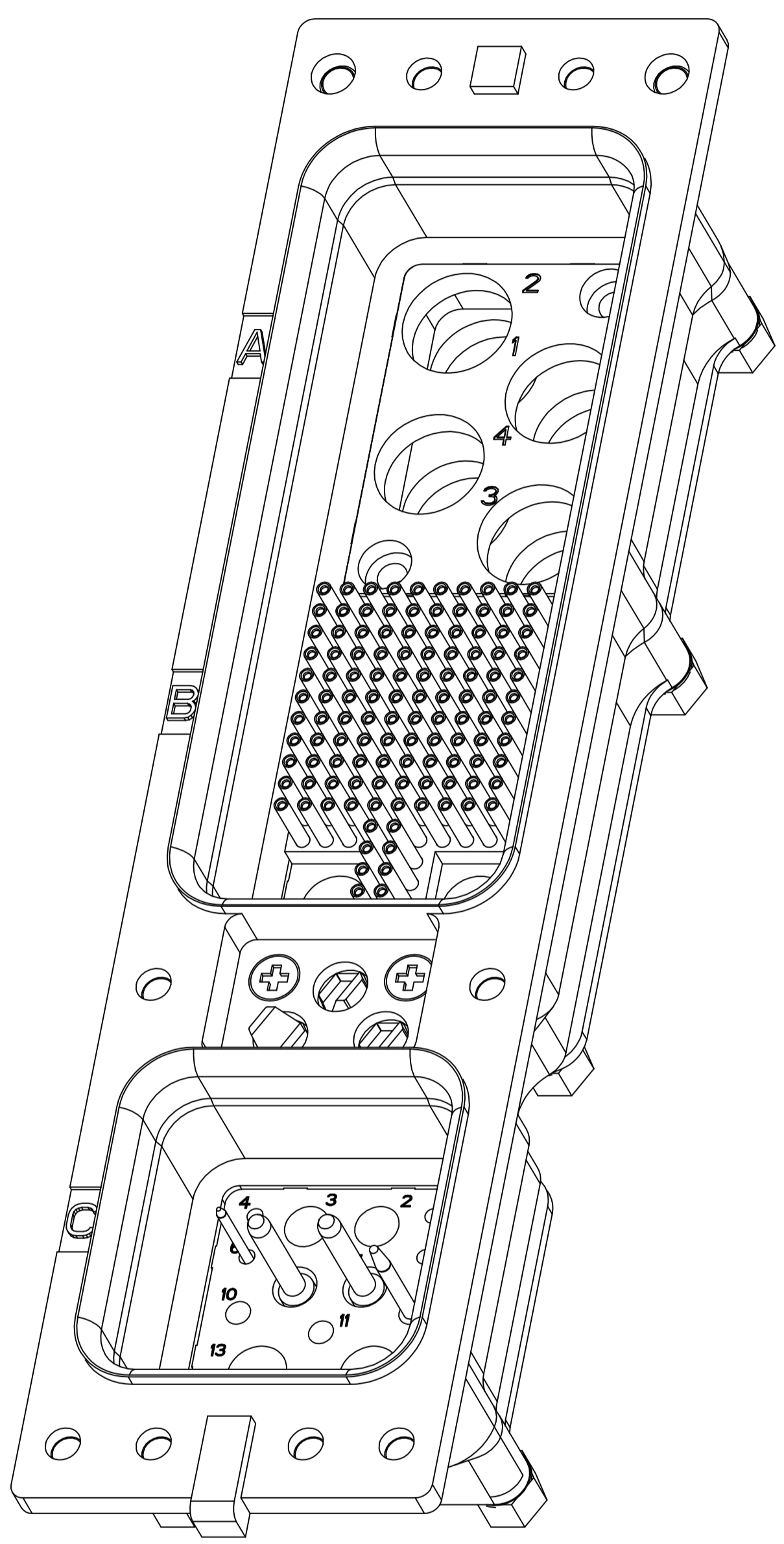


LOC		DIST		REVISIONS			
P	LTR	DESCRIPTION	DATE	DNW	APVD		
E		REVISED PER ECO-10-010827	05AUG10	CT	KT		

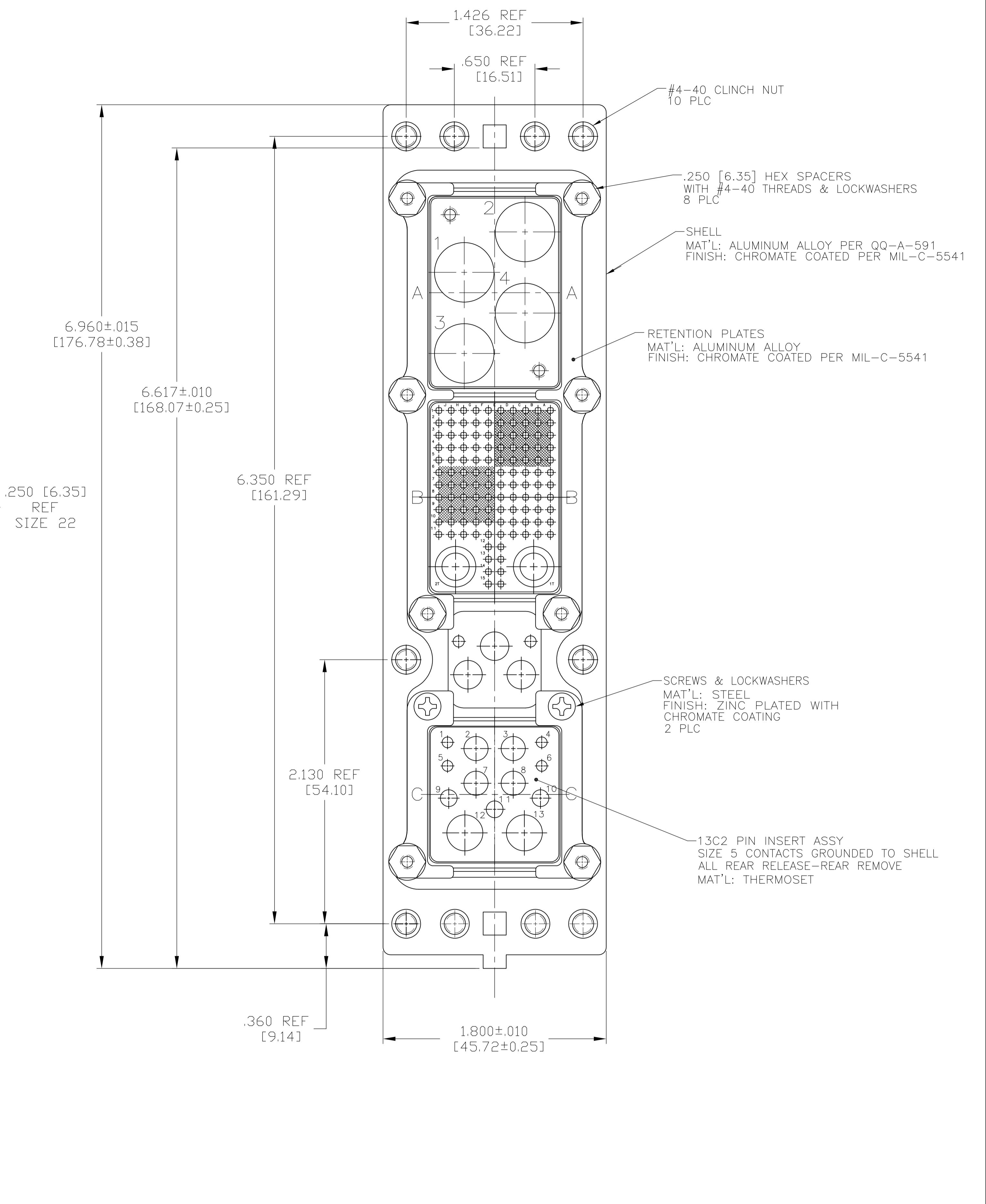
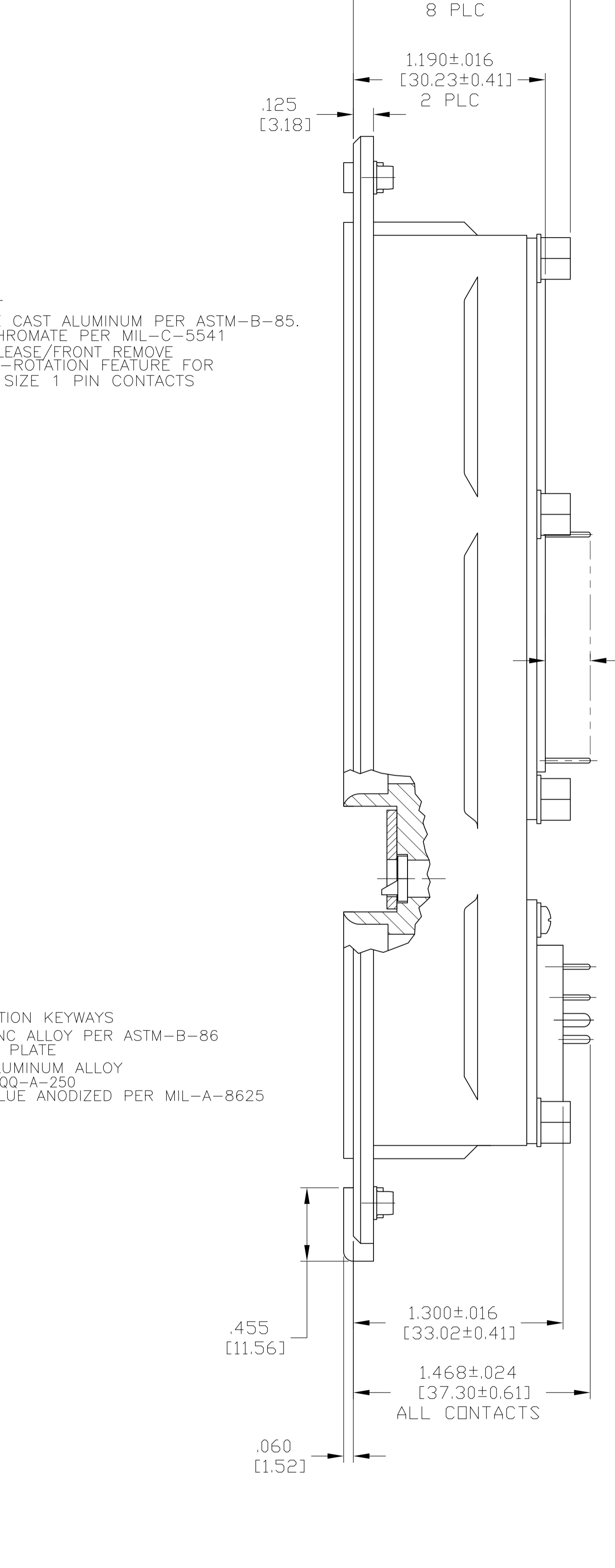
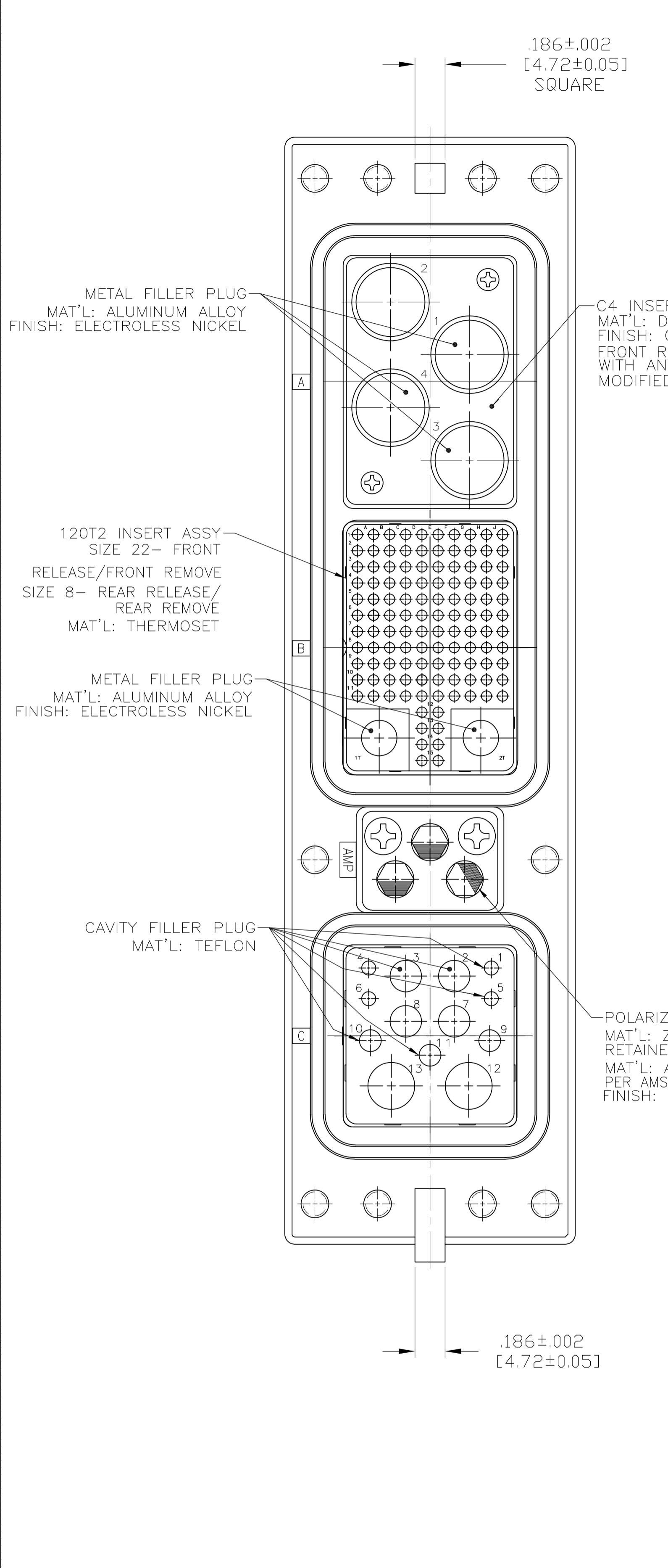


03	MODULE A 1663625-1 (SIZE 1 FILLER PLUG) (QTY=3) (#2 IS OPEN) MODULE B 211431-4 (SIZE 22 POSTED; QTY=118) 1663588-1 (SIZE 8 FILLER PLUG) (QTY=2) MODULE C 1663533-5 (SIZE 20 POSTED; QTY=2) (CAVITIES #4 & #6) 1-1663128-0 (SIZE 16 POSTED; QTY=1) (CAVITY #9) 1663129-8 (SIZE 12 POSTED; QTY=2) (CAVITIES #7 & #8) 1663767-6 (FILLER PLUG, SIZE 20) (QTY=2) (CAVITIES #1 & #5) 1663767-7 (FILLER PLUG, SIZE 16) (QTY=2) (CAVITIES #10 & #11) 1663767-8 (FILLER PLUG, SIZE 12) (QTY=2) (CAVITIES #2 & #3)	1663471-1
	KEYING POSITION INSTALLED CONTACTS AND FILLER PLUG POSITIONS	PART NUMBER

- CONNECTOR DIMENSIONS ARE PER ARINC 600 SPECIFICATION.
- CONNECTOR IS SUPPLIED WITH CONTACTS & FILLER PLUGS (PER TABLE) ASSEMBLED AS SHOWN.
- CONNECTOR IS SUPPLIED WITH A DUST COVER INSTALLED (NOT SHOWN).
- CONTACTS NOT SHOWN IN FRONT & REAR VIEWS FOR CLARITY.
- DIMENSION TO CONTACT POST IS WITH CONTACTS FULLY SEATED TO REAR OF CONTACT CAVITIES.
- KEYING SHOWN IN POSITION FOR REFERENCE ONLY. SEE TABLE FOR KEYING POSITION PER DRAWING 204014. FOR POSITION "00" KEYING SHIPPED UNASSEMBLED.

THIS DRAWING IS A CONTROLLED DOCUMENT.		DWN C.C.THOMAS 8-1-03 CHK S.GLATFELTER 8-1-03 APVD S.GLATFELTER 8-1-03 PRODUCT SPEC APPLICATION SPEC	Tyco Electronics Corporation Harrisburg, PA 17105-3608 Tyco Electronics RECEPTACLE ASSY, SIZE 2, ARINC 600 (C4/120T2/13C2)
DIMENSIONS: INCHES [mm]	TOLERANCES UNLESS OTHERWISE SPECIFIED: 0. PLC ± - 1. PLC ± - 2. PLC ± - 3. PLC ± .005 [0.13] 4. PLC ± - ANGLES ± -	SIZE A1 CAGE CODE 00779 DRAWING NO. 1663471	RESTRICTED TO CUSTOMER DRAWING SCALE 2:1 SHEET 1 OF 2 REV E

LOC		DIST		REVISIONS			
P	LTR	DESCRIPTION	DATE	DNW	APVD		
-	-	SEE SHEET #1	-	-	-	KT	



THIS DRAWING IS A CONTROLLED DOCUMENT.		DNW C.C.THOMAS 8-1-03	Tyco Electronics Tyco Electronics Corporation Harrisburg, PA 17105-3608																		
DIMENSIONS: INCHES [mm]		CHK S.GLATFELTER 8-1-03																			
TOLERANCES UNLESS OTHERWISE SPECIFIED:		APVD S.GLATFELTER 8-1-03	NAME RECEPTACLE ASSY, SIZE 2, ARINC 600 (C4/120T2/13C2)																		
<table border="1"> <tr><td>0 PLC</td><td>±</td><td>-</td></tr> <tr><td>1 PLC</td><td>±</td><td>-</td></tr> <tr><td>2 PLC</td><td>±</td><td>-</td></tr> <tr><td>3 PLC</td><td>±</td><td>.005 [0.13]</td></tr> <tr><td>4 PLC</td><td>±</td><td>-</td></tr> <tr><td>ANGLES</td><td>±</td><td>-</td></tr> </table>		0 PLC	±	-	1 PLC	±	-	2 PLC	±	-	3 PLC	±	.005 [0.13]	4 PLC	±	-	ANGLES	±	-	PRODUCT SPEC	APPLICATION SPEC
0 PLC	±	-																			
1 PLC	±	-																			
2 PLC	±	-																			
3 PLC	±	.005 [0.13]																			
4 PLC	±	-																			
ANGLES	±	-																			
MATERIAL SEE CALLOUTS	FINISH SEE CALLOUTS	WEIGHT	RESTRICTED TO																		
CUSTOMER DRAWING		SIZE A1	CAGE CODE 00779																		
		DRAWING NO 1663471	SCALE 2:1																		
		SHEET 2	REV E																		

X-ON Electronics

Largest Supplier of Electrical and Electronic Components

Click to view similar products for [Rack & Panel Connectors](#) category:

Click to view products by [TE Connectivity](#) manufacturer:

Other Similar products are found below :

[00170420102](#) [00171420202](#) [00171440002](#) [008026165000265](#) [00-8219-072-000-112P44](#) [008219072000112P5](#) [02-014-013-5200-000](#) [613467-000](#) [CTJ112E01E-513](#) [CTJ116E03A-513](#) [M81714/63-22S L/C](#) [M81714/65-12-1](#) [66020-2](#) [CW8958-000](#) [699886-000](#) [D250-50632](#)
[70.400.3240.0](#) [70.955.2453.3](#) [733753-000](#) [F22831-000](#) [780-522-DPX34RG8-02](#) [MMA25-0341D1](#) [8660-501](#) [87.060.0053.0](#) [900709N001](#)
[QRP4-12P-C\(01\)](#) [QR/P6-6S-C\(01\)](#) [AC-600003-004](#) [1218600-1](#) [D-659-0061](#) [DMC-MD 24 C-T](#) [1-445717-6](#) [1484398-2](#) [1484399-2](#) [1484469-2](#) [MR-34MG](#) [1484225-1](#) [1484398-1](#) [1604997-2](#) [1663130-1](#) [1663767-7](#) [1663767-8](#) [MTC100-BF1-P31CS015](#) [MTC100-KT2-0083](#) [MTC100-KT2-0123-003](#) [MTC100-YA1-005](#) [MTCB1X-105-XXX](#) [MTCPQKT1P2PGDC](#) [MTCPQKT1R2PGCA](#) [MTCR-103-04S](#)