

THIS DRAWING IS UNPUBLISHED. RELEASED FOR PUBLICATION
 © COPYRIGHT BY TYCO ELECTRONICS CORPORATION. ALL INTERNATIONAL RIGHTS RESERVED.

LOC	DIST	REVISIONS					
J	/	P	LTR	DESCRIPTION	DATE	DWN	APVD
		A1	REVISED	ECR-10-016582	12AUG10	AY	HY

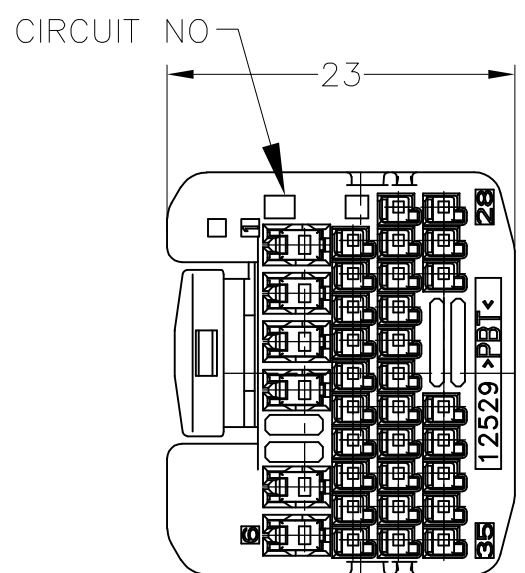
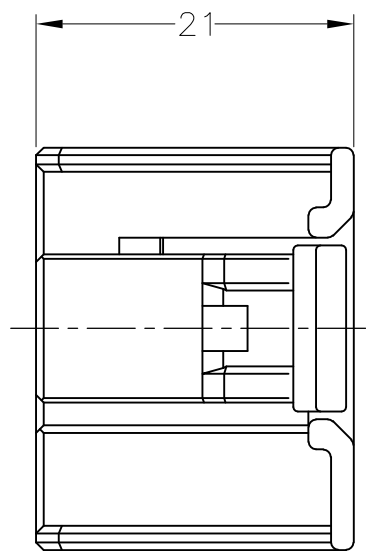
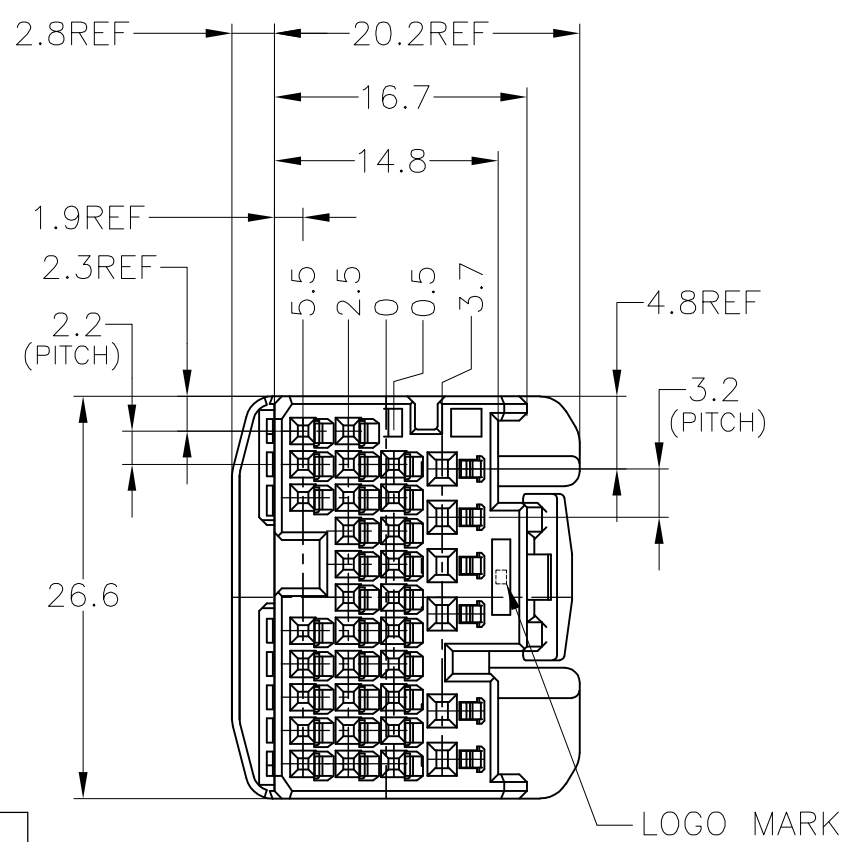


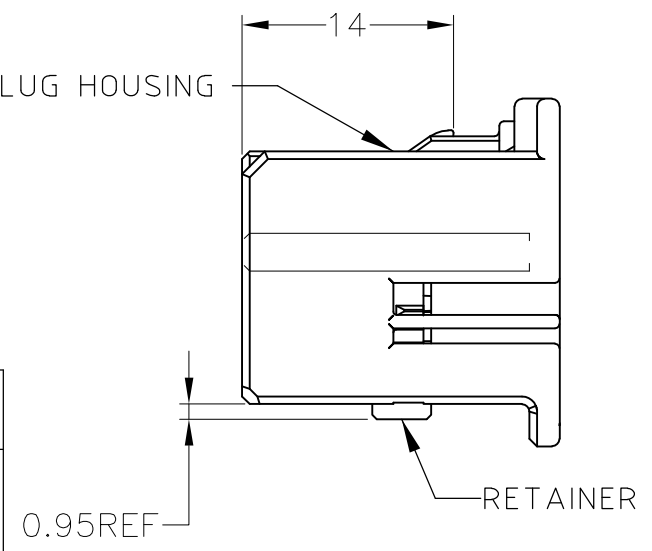
TABLE-1

POS 極数	CAP ASSEMBLY PART NO キャップ型番
200	1473649
167	1318813
167 (STD)	1612435
135	1376430
70	1473193

TABLE-2

		TERMINAL NO 端子型番	APPLICABLE WIRE RANGE 適用電線
SIGNAL 0.64 III	TIN	1674311-1	AVSS/CAVS/CAVUS/AVSSH-f 0.3~0.5mm ²
	SELECTIVE GOLD	1674311-2	
POWER 1.0 III	TIN	1674936-1	CAVS/CAVUS/CHFUS 0.22mm ²
	SELECTIVE GOLD	1674936-2	
	TIN	316837-2	AVSS/CAVS/CAVUS 0.3~0.85mm ²
		316836-1	AVS 0.3~0.5mm ²
	316838-1	AVS 0.5mm ² AVSS/CAVS 0.85~1.25mm ² CAVUS 1.25mm ²	

PLUG HOUSING



- 1.RETAINER SHOULD BE SENT TO THE PRE-ASSEMBLY POSITION WITHIN THE PLUG HOUSING WHEN SHIPPED TO THE CUSTOMER
- 2.INSTRUCTION SHEET NO.411-78080
- 3.PART NUMBER OF CAP HOUSING TO BE MATED; SEE TABLE-1
- 4.APPLIED TERMINALS; SEE TABLE-2

- 1.プラグハウジングにリテーナを仮係止して出荷される
- 2.取扱説明書NO.411-78080
- 3.嵌合相手型番; TABLE-1参照
- 4.適用端子; TABLE-2参照

PAPER BOX ダンボール	PLASTIC BAG ビニール袋	BLACK	1674928-2
PAPER BOX ダンボール	PLASTIC BAG ビニール袋	NATURAL	1674928-1
OUTER 外装	INNER 内装	COLOR	PART NUMBER
PACKING STYLE 梱包形態			

THIS DRAWING IS A CONTROLLED DOCUMENT.

DWN S.AMEMIYA	15OCT03	Tyco Electronics Tyco Electronics Corporation Kawasaki, Japan
CHK H.YAMAGAMI	15OCT03	
APVD K.ASAI	15OCT03	NAME 名称 0.64III/1.0III CONNECTOR PLUG HOUSING ASSY 35P (B)
PRODUCT SPEC 製品規格 108-5877		
APPLICATION SPEC 取付適用規格 114-5217,5329		
WEIGHT 6.1g	SIZE A3	CAGE CODE 00779
		DRAWING NO 番号 G-1674928
		RESTRICTED TO —

MATERIAL 材料 PBT FINISH 仕上 SEE TABLE

DIMENSIONS: 単位: 耗 mm TOLERANCES UNLESS OTHERWISE SPECIFIED: 一般公差 ±0.3

0-PLC ±
1-PLC ±
2-PLC ±
3-PLC ±
4-PLC ±
ANGLES ±3'

CUSTOMER DRAWING SCALE 尺度 2:1 SHEET 1 OF 1 REV A1

X-ON Electronics

Largest Supplier of Electrical and Electronic Components

Click to view similar products for [Automotive Connectors](#) category:

Click to view products by [TE Connectivity](#) manufacturer:

Other Similar products are found below :

[003-018-000](#) [600858](#) [60403001](#) [60993906-B](#) [60993913-B](#) [629515004020001](#) [M902-2131](#) [M902-2161](#) [M902-2344](#) [72.330.1035.1](#)
[73.353.4028.0](#) [F118010](#) [F119300-B](#) [F132210](#) [F132210-B](#) [F166900](#) [F180100](#) [F258300](#) [F258300-B](#) [F294300-B](#) [F339100](#) [F339700](#) [F358300-](#)
[B](#) [F374110](#) [F407400](#) [F412210](#) [F427600](#) [F444110](#) [F487000](#) [F495100-B](#) [F500900-B](#) [F509500B-B](#) [770444-1](#) [776880-1](#) [827153-1](#) [881735-1](#)
[8N1515-32-24P](#) [9-1326727-8](#) [9-1326729-8](#) [925467-1](#) [925474-1](#) [928905-1](#) [936398-2](#) [964562-1](#) [964562-4](#) [964731-2](#) [965051-1](#) [968782-1](#)
[GT17SA-8DS-HU](#) [GT17VS-10DP-5.2CF](#)