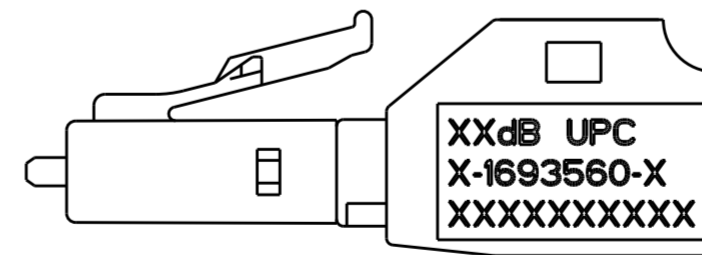
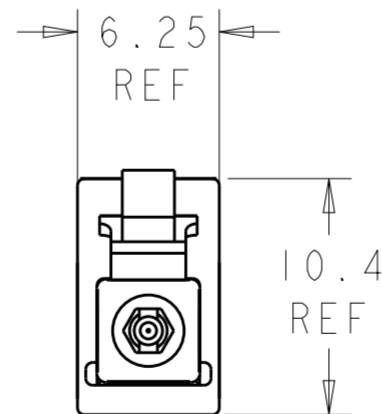
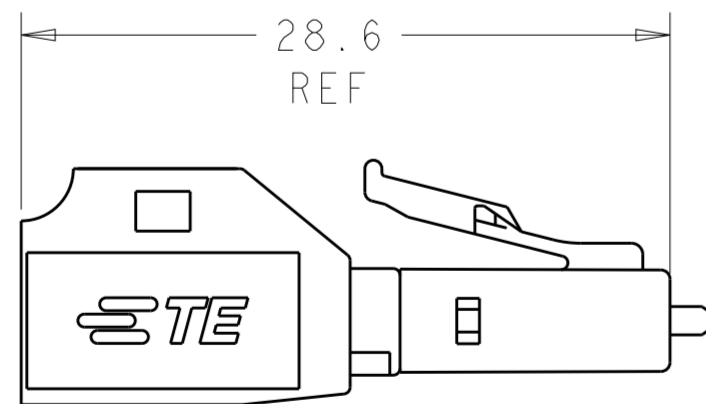
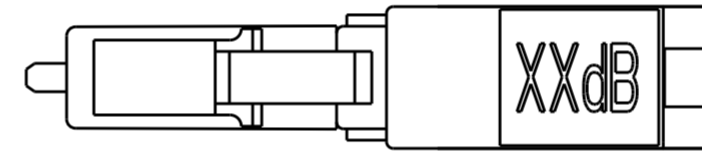
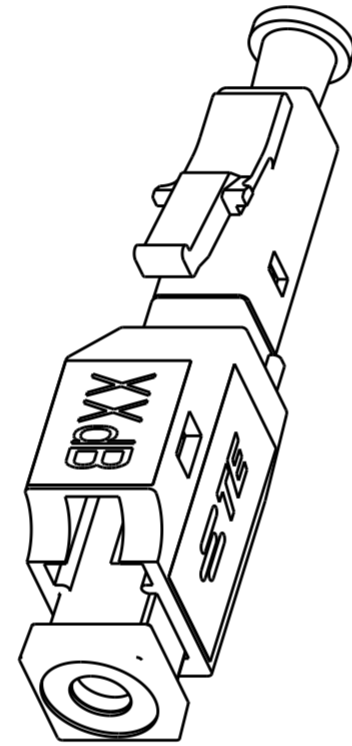
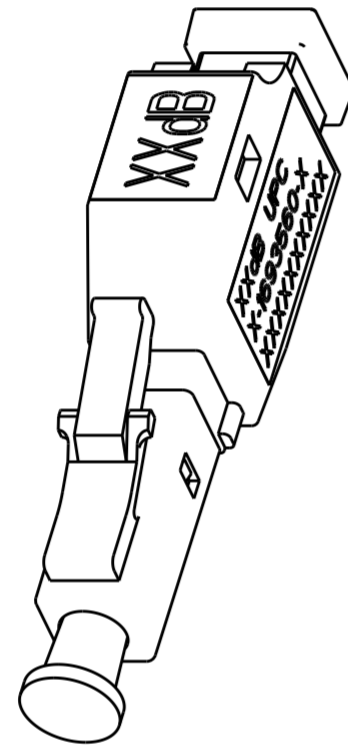


THIS DRAWING IS UNPUBLISHED. RELEASED FOR PUBLICATION 20
 © COPYRIGHT 20 ALL RIGHTS RESERVED.

LOC	DIST	REVISIONS					
		P	LTR	DESCRIPTION	DATE	DWN	APVD
HG	-		D	REV PER ECR-10-001039	20JAN2010	JZ	RZ
			E	REV PER ECR-11-015981	05SEP2011	LL	CT
			F	UPDATE OPERATING WAVELENGTH 1260-1625nm	21AUG2012	PL	RZ

PERFORMANCE REQUIREMENTS:
 OPERATING WAVELENGTH: 1260-1625nm
 REFLECTANCE: AVG. -55dB
 OPERATING TEMPERATURE: -40°C TO +85°C
 ATTENUATION TOLERANCE, AMBIENT:
 FOR 0 dB ATTENUATORS: +0.5dB MAX
 FOR ATTENUATORS < 5dB: ±0.5dB
 FOR ATTENUATORS ≥ 5dB: ±10% OF NOMINAL ATTENUATION VALUE
 MEASURED WITH REFERENCE QUALITY LAUNCH LEADS:
 - REFLECTANCE: ≤ -60dB
 - FIBER CORE ECCENTRICITY < 0.3um



NOTES:

⚠ OBSOLETE PARTS: OBSOLETE CIS STREAMLINING PER D.RENAUD/D.SINISI.

20	2-1693560-0
19	1-1693560-9
18	1-1693560-8
17	1-1693560-7
16	1-1693560-6
15	1-1693560-5
14	1-1693560-4
13	1-1693560-3
12	1-1693560-2
11	1-1693560-1
10	1-1693560-0
9	1693560-9
8	1693560-8
7	1693560-7
6	1693560-6
5	1693560-5
4	1693560-4
3	1693560-3
2	1693560-2
1	1693560-1
⚠ OBSOLETE	0 1-1693560-0
NOMINAL ATTENUATION VALUE (dB)	PART NUMBER

THIS DRAWING IS A CONTROLLED DOCUMENT.

DIMENSIONS:	TOLERANCES UNLESS OTHERWISE SPECIFIED:	DWN	01NOV2006
mm	0 PLC ±	CHK	01NOV2006
	1 PLC ±	APVD	01NOV2006
	2 PLC ±	PRODUCT SPEC	108-2221
	3 PLC ±	APPLICATION SPEC	114-1129
	4 PLC ±	WEIGHT	-
MATERIAL	FINISH	CUSTOMER DRAWING	SCALE 3:1

STE TE Connectivity

NAME ATTENUATOR, OPTICAL, BUILD OUT, SM, LC/UPC, BROADBAND, BANDPASS

SIZE A2 CAGE CODE 00779 DRAWING NO C-1693560 RESTRICTED TO -

SHEET 1 OF 1 REV F

X-ON Electronics

Largest Supplier of Electrical and Electronic Components

Click to view similar products for [Fiber Optic Connectors](#) category:

Click to view products by [TE Connectivity](#) manufacturer:

Other Similar products are found below :

[0004700001](#) [6100-R](#) [6313](#) [F709034706](#) [F709722200](#) [F709730000](#) [F718183204](#) [F727403500](#) [F727752800](#) [FCXO-12-3BY](#) [FO-SCREW\(M2X6\)](#) [9440F20-27S-190](#) [944-120-6001](#) [944-125-6003](#) [9441F10SL-3P](#) [953-101-5310-P](#) [954-101-57202B](#) [A0270169](#) [12-9122](#) [12-5702](#) [143025NC](#) [DSAKB](#) [AX101713](#) [AX102420](#) [AX103923](#) [AX104193](#) [AX104230](#) [AX104562](#) [AX104683](#) [AX105203-B25](#) [AX105205-S1](#) [EHSC2M](#) [17-300800](#) [180-044NF06-11-2S](#) [180-044NF06-17-8P](#) [180-044NF07-11-2S](#) [181-011-126](#) [181-011-S](#) [181-057-126](#) [BT34IW](#) [HRFCP-HSCJ-1\(61\)](#) [HRFC-R2\(40\)](#) [NKSOPBUY](#) [20500002116](#) [2064996-1](#) [20800001065](#) [2170](#) [9132](#) [2612](#) [2620](#)