

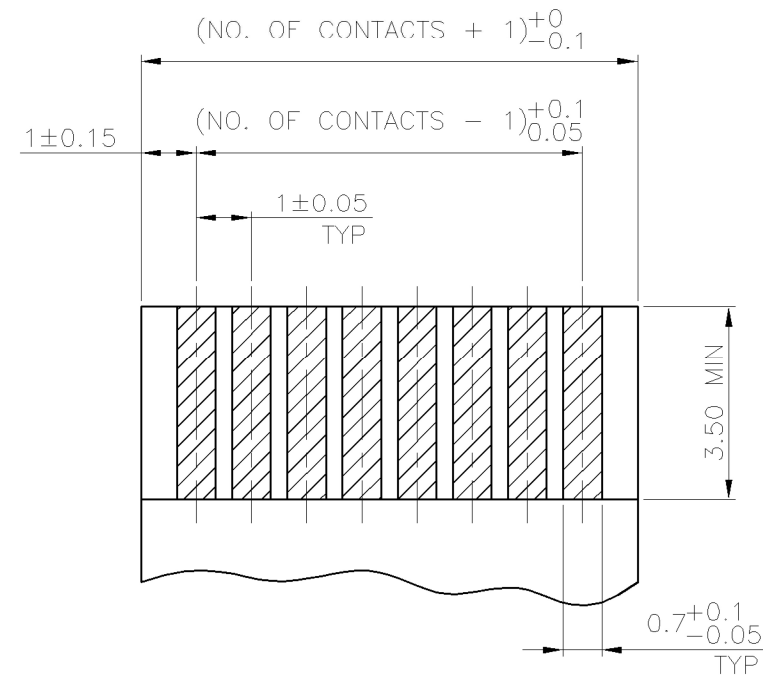
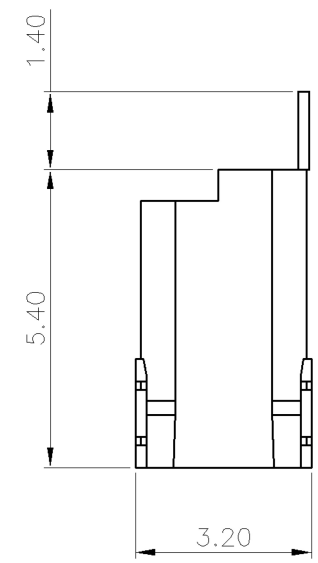
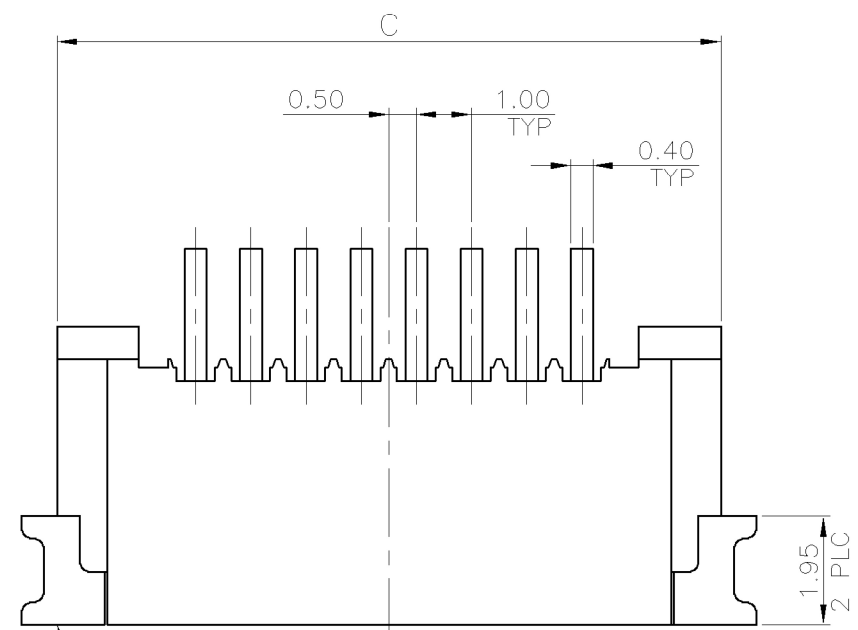
NUMBER
C-1734798

METRIC
3RD ANGLE PROJECTION

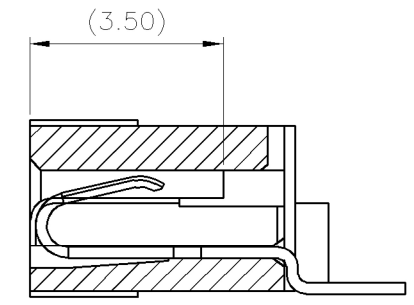
METRIC

DIMENSIONS IN MILLIMETERS. DO NOT SCALE PRINT.

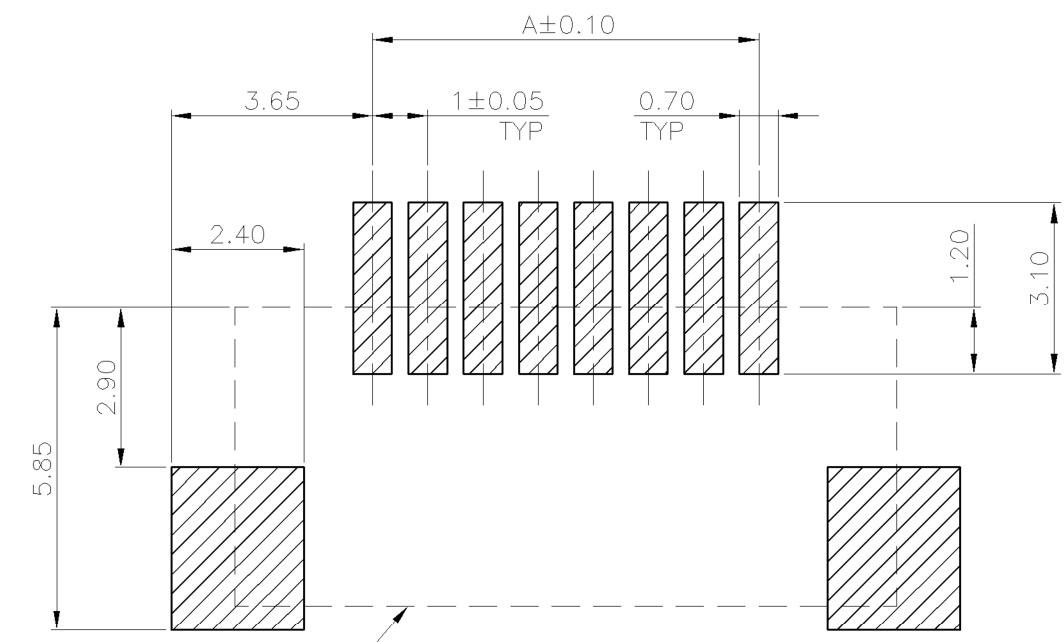
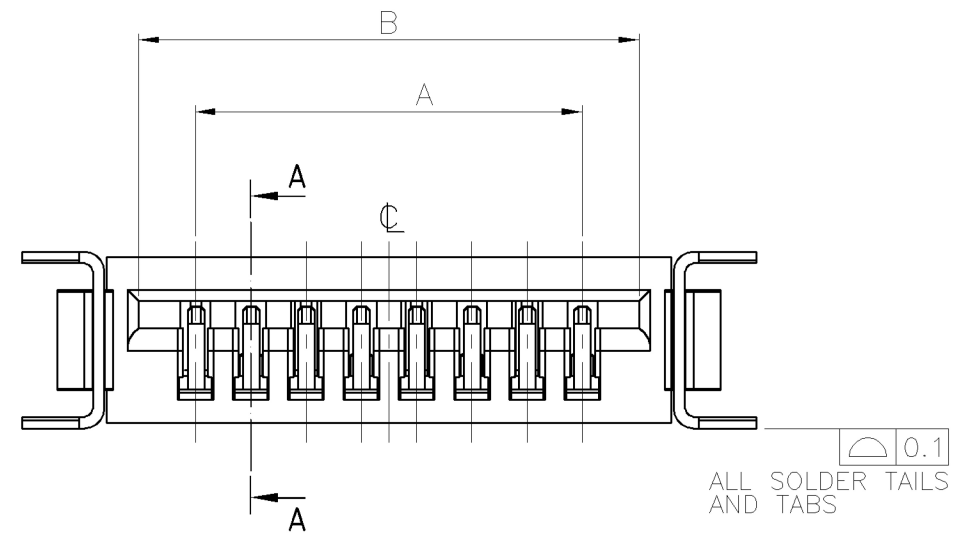
PRINT
DW



RECOMMENDED FPC LAYOUT
(THICKNESS= 0.3±0.05)



SECTION A-A



CONNECTOR OUTLINE
RECOMMENDED PCB LAYOUT

0.77g	34.00	31.05	29.00	30	3-1734798-0
0.76g	33.00	30.05	28.00	29	2-1734798-9
0.73g	32.00	29.05	27.00	28	2-1734798-8
0.70g	31.00	28.05	26.00	27	2-1734798-7
0.68g	30.00	27.05	25.00	26	2-1734798-6
0.65g	29.00	26.05	24.00	25	2-1734798-5
0.63g	28.00	25.05	23.00	24	2-1734798-4
0.60g	27.00	24.05	22.00	23	2-1734798-3
0.57g	26.00	23.05	21.00	22	2-1734798-2
0.55g	25.00	22.05	20.00	21	2-1734798-1
0.52g	24.00	21.05	19.00	20	2-1734798-0
0.49g	23.00	20.05	18.00	19	1-1734798-9
0.47g	22.00	19.05	17.00	18	1-1734798-8
0.44g	21.00	18.05	16.00	17	1-1734798-7
0.42g	20.00	17.05	15.00	16	1-1734798-6
0.39g	19.00	16.05	14.00	15	1-1734798-5
0.36g	18.00	15.05	13.00	14	1-1734798-4
0.34g	17.00	14.05	12.00	13	1-1734798-3
0.31g	16.00	13.05	11.00	12	1-1734798-2
0.29g	15.00	12.05	10.00	11	1-1734798-1
0.26g	14.00	11.05	9.00	10	1-1734798-0
0.23g	13.00	10.05	8.00	9	1734798-9
0.21g	12.00	9.05	7.00	8	1734798-8
0.18g	11.00	8.05	6.00	7	1734798-7
0.16g	10.00	7.05	5.00	6	1734798-6
0.13g	9.00	6.05	4.00	5	1734798-5
0.10g	8.00	5.05	3.00	4	1734798-4
WEIGHT	C	B	A	NO. OF CONTACTS	PART NUMBER

- NOTE:
- MATERIAL:
HOUSING: THERMOPLASTIC WITH 33% GF, UL 94V-0, BLACK COLOR.
CONTACTS: PHOSPHOR BRONZE.
TABS: BRASS.
 - FINISH:
CONTACTS: 120μ" MIN. MATTE-TIN OVER 50μ" MIN. NICKEL ON ENTIRE CONTACT.
TABS: 120μ" MIN. MATTE-TIN OVER 50μ" MIN. NICKEL.
 - REFLOW SOLDER CAPABLE TO 260°C AS PER TE Connectivity SPEC. 109-201, CONDITION B.
 - NO TYCO LOGO AND DATE CODE ON THE PRODUCT.

TOLERANCES UNLESS OTHERWISE SPECIFIED: 0 PLC ±- 1 PLC ±0.15 2 PLC ±0.1 3 PLC ±- ANGLES ±-	DWN A. WU 17-NOV-2005	TE Connectivity		
MATERIAL SEE NOTE	CHK S. HOU 17-NOV-2005	NAME FPC CONNECTOR, 1.0 PITCH, NON-ZIF, SMT, SIDE ENTRY, BOTTOM CONTACT		
FINISH SEE NOTE	APVD T. KE 17-NOV-2005	LOC DW	SIZE A ₃	DRAWING NO C-1734798
	PRODUCT SPEC 108-57354	SCALE		REV C
	APPLICATION SPEC -			
	WEIGHT SEE TABLE			SHEET 1 OF 2

C	ACTIVE PARTS	ECR-16-002215	HX	WH	08JUL16
LTR	REVISION RECORD	ECO	DWN	CHK	DATE

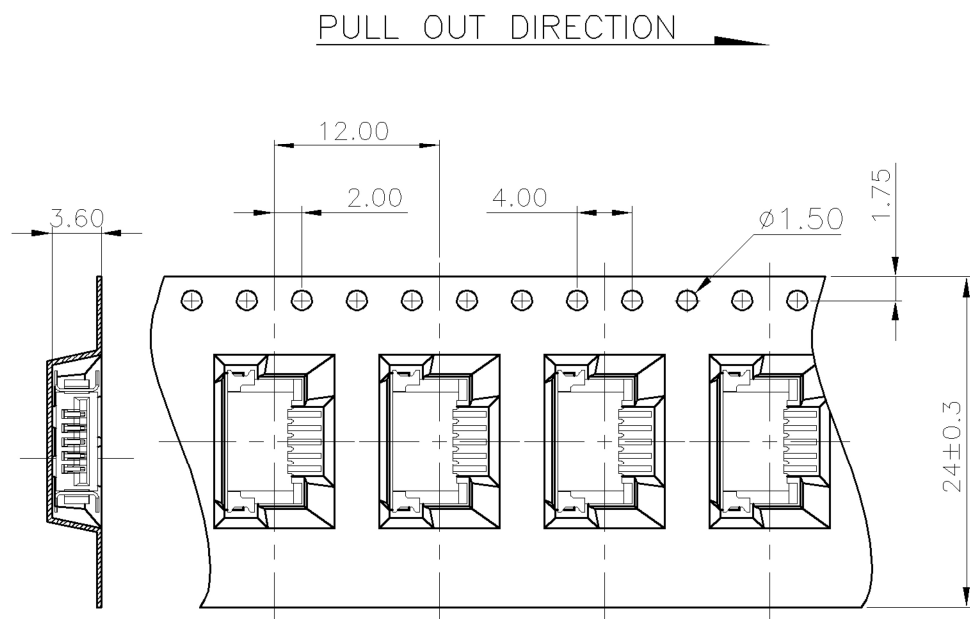
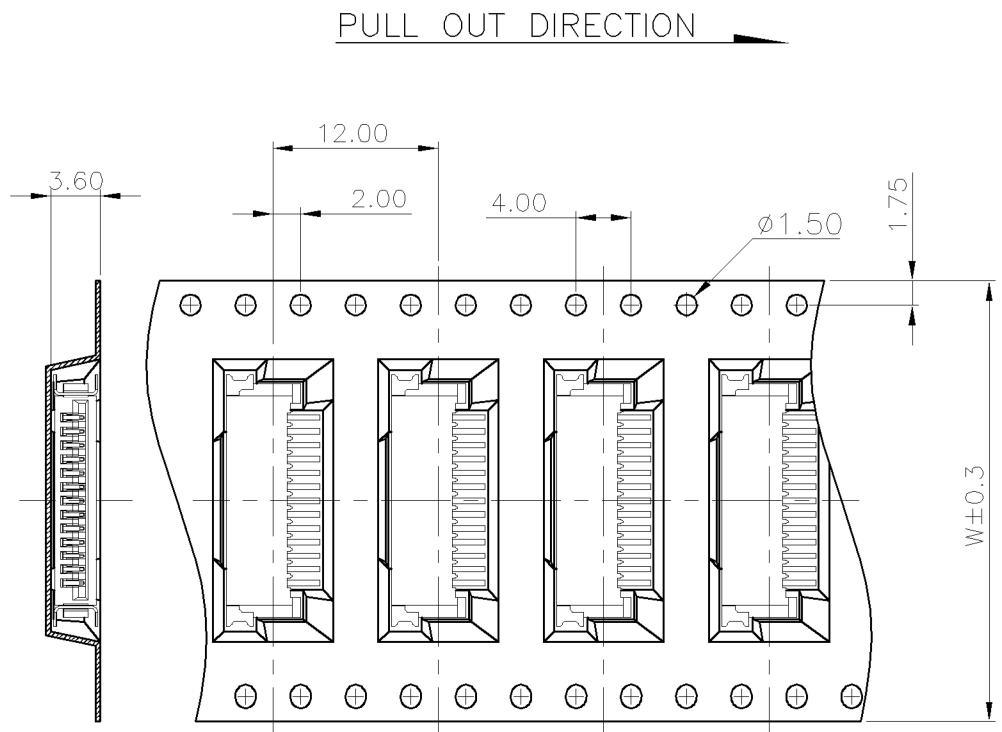
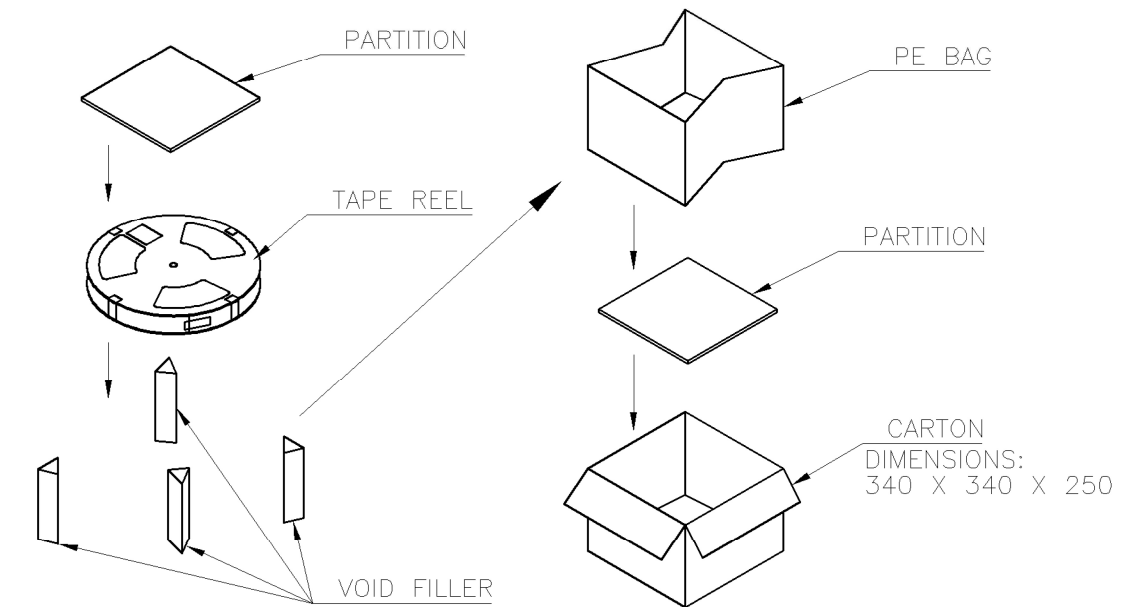
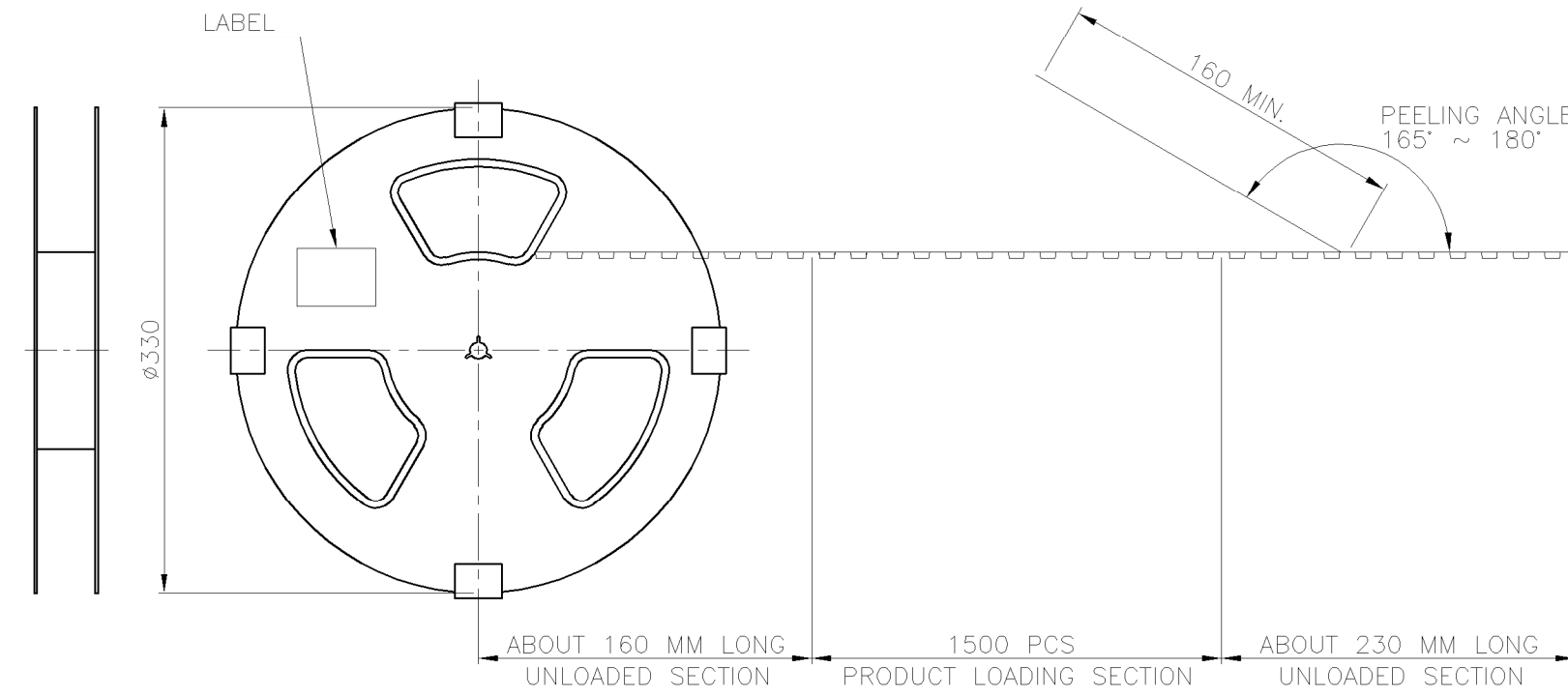
NUMBER
C-1734798

3RD ANGLE PROJECTION

METRIC

DIMENSIONS IN MILLIMETERS. DO NOT SCALE PRINT.

PRINT
DW



DIM	W	REELS/CARTON	QUANTITY (PCS)	G/W (KG)	N/W (KG)	NO. OF CONTACTS
56	3	4500	5.55	3.47	30	
			5.46	3.42	29	
			5.33	4.38	28	
44	4	6000	6.38	4.20	27	
			6.26	4.08	26	
			6.14	3.90	25	
			5.96	3.78	24	
			5.84	3.60	23	
			5.72	3.42	22	
			5.54	3.30	21	
			5.42	3.12	20	
			5.30	2.94	19	
			5.18	2.82	18	
32	6	9000	5.00	2.64	17	
			4.88	2.52	16	
			6.65	3.51	15	
			6.47	3.24	14	
			6.20	3.06	13	
			6.02	2.79	12	
24	7	10500	6.52	3.05	11	
			6.31	2.73	10	
			5.99	2.41	9	
			5.78	2.21	8	
			5.57	1.89	7	
			5.36	1.68	6	
			5.17	1.37	5	
			4.84	1.05	4	

TOLERANCES UNLESS OTHERWISE SPECIFIED: 0 PLC ±- 1 PLC ±- 2 PLC ±- 3 PLC ±- ANGLES ±-		DWN A. WU 17-NOV-2005	TE Connectivity FPC CONNECTOR, 1.0 PITCH, NON-ZIF, SMT, SIDE ENTRY, BOTTOM CONTACT				
MATERIAL -		CHK S. HOU 17-NOV-2005					
FINISH -		APVD T. KE 17-NOV-2005	LOC DW	SIZE A ₃	DRAWING NO C-1734798	REV C	
LTR		REVISION RECORD	ECO	DWN CHK	DATE	SCALE --	SHEET 2 OF 2

SEE SHEET 1.		
LTR	REVISION RECORD	ECO
		DWN CHK
		DATE

X-ON Electronics

Largest Supplier of Electrical and Electronic Components

Click to view similar products for [FFC & FPC Connectors](#) category:

Click to view products by [TE Connectivity](#) manufacturer:

Other Similar products are found below :

[HFW11R-1STE1H1LF](#) [FH29B-100S-0.2SHW\(99\)](#) [FA5S008HP1](#) [FH29B-120S-0.2SHW\(99\)](#) [FH29B-80S-0.2SHW\(99\)](#) [FHS-16](#) [FPH-2022G](#)
[52610-1075](#) [52610-1275](#) [52610-1934](#) [XF3M\(1\)-1415-1B-R100](#) [501864-3091-TR225](#) [0525594033](#) [086210010340800](#) [086222026001800](#)
[52271-2869-CUT-TAPE](#) [62674-201121DLF](#) [62684-36210E9ALF](#) [52610-1675](#) [52746-1671-TR250](#) [10051922-2810EHLF](#) [6-520415-9](#)
[BD021-09A-A1-0350-0200-0550-LD](#) [SFV6R-1STE9HLF](#) [XF3M-2915-1B-R100](#) [1658549-1](#) [62674-221121ALF](#) [46214008010800](#)
[046298003000883](#) [151660622](#) [842-816-2630-035](#) [AYF530665TA](#) [AYF351525](#) [046296011930846+](#) [AYF352325A](#) [046254020000800+](#)
[FH19C-13S-0.5SH\(99\)](#) [FH39J-51S-0.3SHW\(99\)](#) [AYF355125A](#) [AYF530365TA](#) [FH29B-44S-0.2SHW\(99\)](#) [SFW5R-2STAE9LF](#) [AYF351125A](#)
[AYF350725A](#) [62684-502100AHLF](#) [FH39-61S-0.3SHW\(99\)](#) [AYF414035A](#) [10064555-172520HLF](#) [AYF212335A](#) [504754-2500](#)