

THIS DRAWING IS UNPUBLISHED.

RELEASED FOR PUBLICATION

LOC

DIST

REVISIONS

© COPYRIGHT - By -

ALL RIGHTS RESERVED.

AF

50

P

LTR

DESCRIPTION

DATE

DWN

APVD

B

REVISED PER ECR-12-013518

26NOV2012

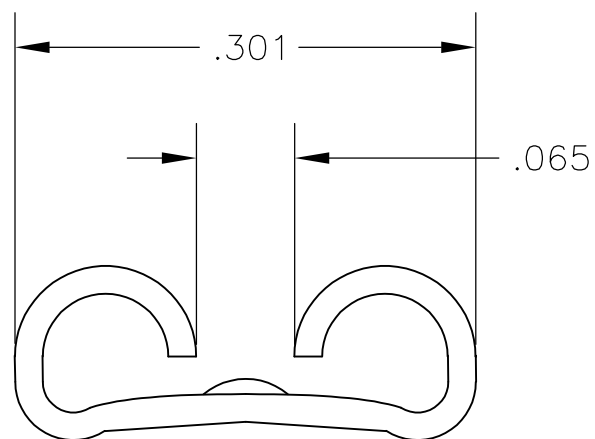
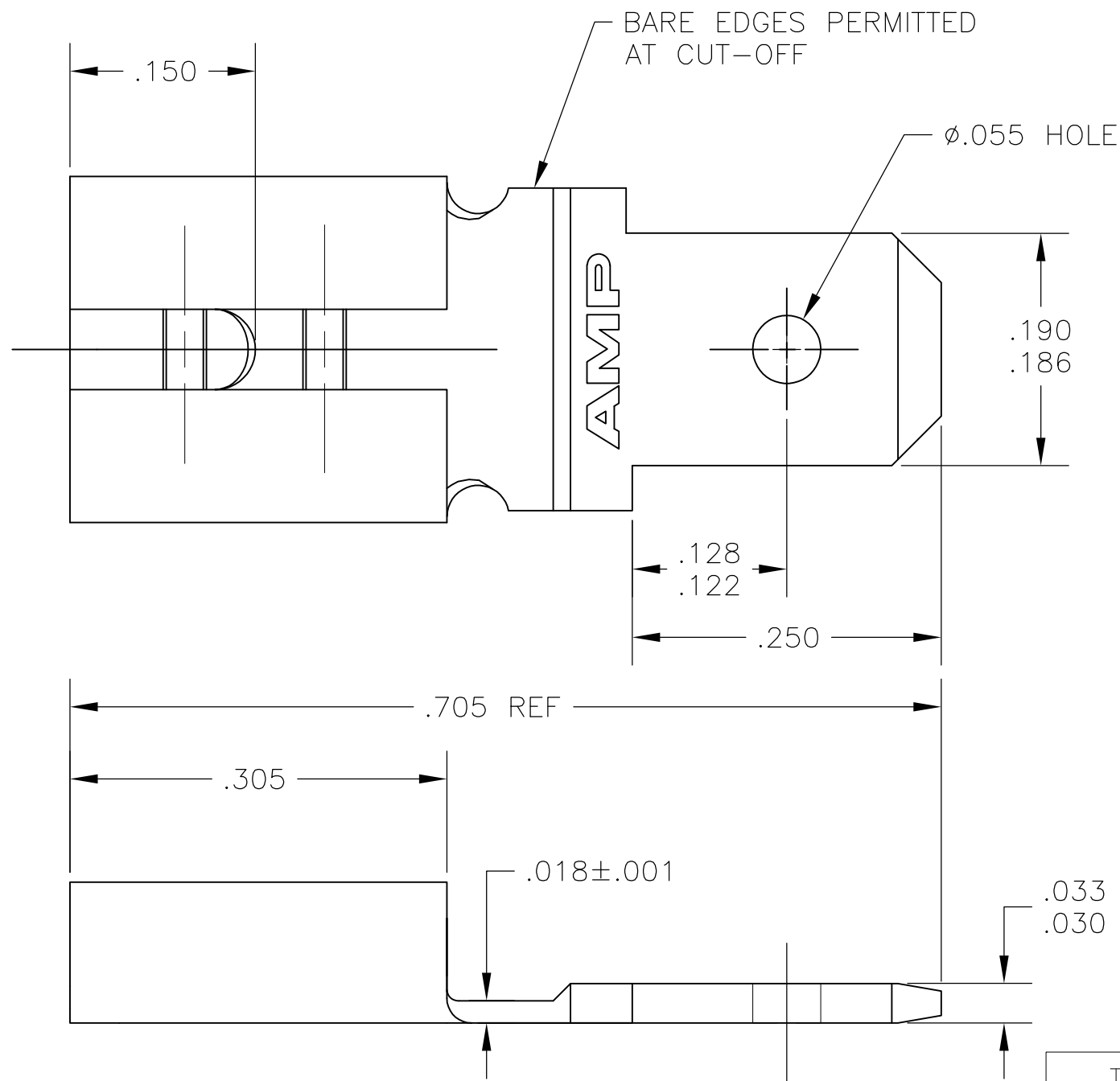
KH

PD

1 SUPPLIED IN LOOSE PIECE

2 MATING TAB THK IS $.032 \pm .001$

3 PRELIMINARY - NOT FOR PRODUCTION



TIN PLATED	3 1742597-2
---	1742597-1
FINISH	PART NO

THIS DRAWING IS A CONTROLLED DOCUMENT.		DWN	JR RUTH	11MAY07	STE TE Connectivity		
DIMENSIONS: INCHES		CHK	P DESANTIS	11MAY07			
TOLERANCES UNLESS OTHERWISE SPECIFIED:		APVD	P DESANTIS	11MAY07	NAME		
0 PLC ± -		PRODUCT SPEC		ADAPTER, FASTON, .250 SERIES RECPT WITH A .187 SERIES TAB			
1 PLC ± -		APPLICATION SPEC		-			
2 PLC ± -		SIZE	A3	CAGE CODE	00779	DRAWING NO	C-1742597
3 PLC ± .010		WEIGHT		-		RESTRICTED TO	-
4 PLC ± -		CUSTOMER DRAWING					
ANGLES ± 1°		SCALE		8:1		SHEET	1 OF 1
FINISH		-		REV		B	
MATERIAL		BRASS		-		-	

X-ON Electronics

Largest Supplier of Electrical and Electronic Components

Click to view similar products for [Terminals](#) category:

Click to view products by [TE Connectivity](#) manufacturer:

Other Similar products are found below :

[HT-13-10](#) [71M-250-32-NB](#) [01-2065-1-0216](#) [00581P0075](#) [M10-10RX](#) [M10BCK](#) [60205-1](#) [604200-1](#) [60598-1-CUT-TAPE](#) [60617-1-C](#) [60873-1](#) [M14-516R/SK](#) [M14-6RSX](#) [M18-10FLX](#) [M18-8FBX](#) [M18-8R/LX](#) [M18BCK](#) [61314-6-C](#) [61-S](#) [61-SN-A](#) [62-NBM-A](#) [63-S](#) [640179-1](#) [640917-2-CUT-TAPE](#) [6501550002](#) [66107-2-C](#) [696683-1](#) [696834-1](#) [696861-1](#) [696931-1](#) [696999-1](#) [M8-516RK](#) [M86700006](#) [MA250DMFMX-A](#) [701-2007](#) [701-2307](#) [701-7761-03](#) [70F-110-32-PB](#) [718-N-A](#) [71M-187-20-NBL](#) [71M-250-32-NBL](#) [72F-187-20-NBL](#) [72M-250-32-NBL](#) [7310](#) [73F-250-32](#) [73F-250-32-NBL](#) [73F-250-32-NL](#) [F14-10C](#) [F-1M](#) [751-250](#)