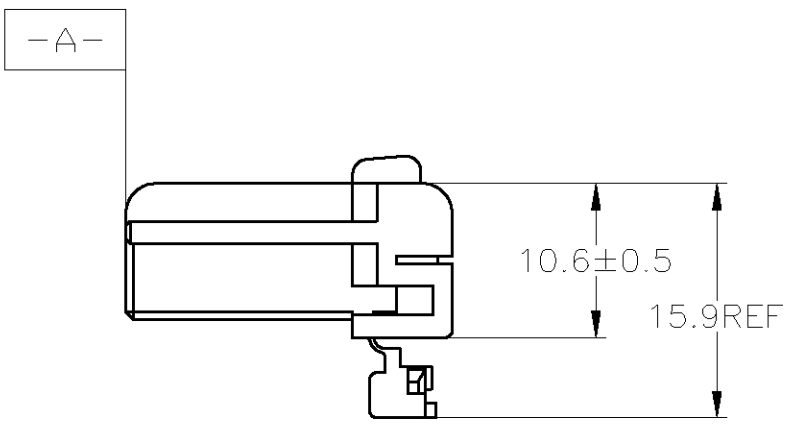
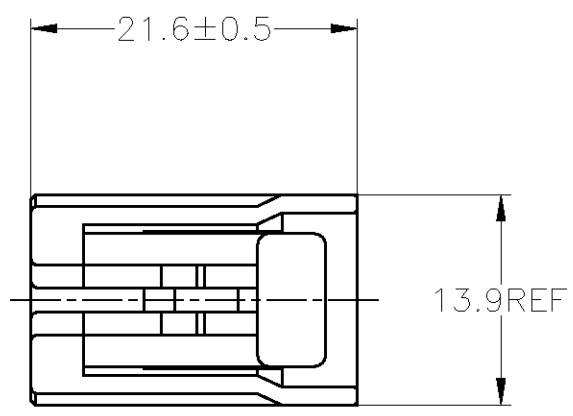
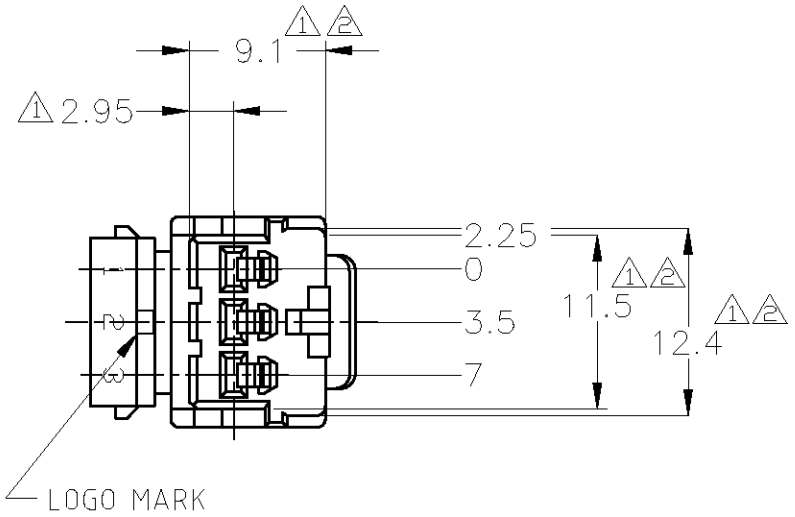


THIS DRAWING IS UNPUBLISHED. RELEASED FOR PUBLICATION
 © COPYRIGHT - By - ALL RIGHTS RESERVED.

LOC	DIST	REVISIONS					
J	-	P	LTR	DESCRIPTION	DATE	DWN	APVD
		D3	REVISED	ECR-12-021403	12DEC2012	TS	KB



- ▲ -A- 面より2mmの範囲で測定
- ▲ 相手ハウジングと所定の機能を満足して嵌合できること
- 3. 内装するリセプタクルコンタクトは、型番173630及び173631
- ▲ TO BE MEASURED WITHIN 2mm FROM -A-
- ▲ TO BE MATE WITH CAP HOUSING SMOOTHLY
- 3. APPLICABLE RECEPTACLE CONTACT PART NUMBERS 173630, 173631

V-2	自然色 (NATURAL)	1-174921-1
HB	黄 (YELLOW)	174921-7
	灰 (GRAY)	174921-6
	青 (BLUE)	174921-5
	緑 (GREEN)	174921-4
	黒 (BLACK)	174921-2
	自然色 (NATURAL)	174921-1
使用材料難燃グレード (FLAMMABILITY OF MATERIAL)		色 (COLOR) 型番 (PART NUMBER)

THIS DRAWING IS A CONTROLLED DOCUMENT.

DIMENSIONS: 単位: 耗 mm	TOLERANCES UNLESS OTHERWISE SPECIFIED: 一般公差
	0 PLC ±-
	1 PLC ±-
	2 PLC ±-
	3 PLC ±-
	4 PLC ±-
ANGLES ±-	

一般公差 GENERAL TOLERANCE
0<* < 10 : ±0.2
10<* < 30 : ±0.25
30<* < 100 : ±0.3
ANGLES : ±3°

MATERIAL 材料 PBT	FINISH 仕上 -
-----------------------	-------------------

DWN S.FUJITA 15JUL08	 TE Connectivity
CHK T.SHINOHARA 15JUL08	
APVD K.BETSUI 15JUL08	
PRODUCT SPEC 製品規格 108-5216, 5264	
APPLICATION SPEC 取付適用規格 -	NAME 名称 070 SERIES MULTILOCK CONNECTOR 3POSITION PLUG HOUSING
WEIGHT 1.9g	SIZE A3
CUSTOMER DRAWING	CAGE CODE 00779
	DRAWING NO 番号 C-174921
	RESTRICTED TO -
	SCALE 尺度 2:1
	SHEET 1 OF 1
	REV D3

X-ON Electronics

Largest Supplier of Electrical and Electronic Components

Click to view similar products for [Automotive Connectors](#) category:

Click to view products by [TE Connectivity](#) manufacturer:

Other Similar products are found below :

[003-018-000](#) [600858](#) [60403001](#) [60993906-B](#) [60993913-B](#) [629515004020001](#) [M902-2131](#) [M902-2161](#) [M902-2344](#) [72.330.1035.1](#)
[73.353.4028.0](#) [F118010](#) [F119300-B](#) [F132210](#) [F132210-B](#) [F166900](#) [F180100](#) [F258300](#) [F258300-B](#) [F294300-B](#) [F339100](#) [F339700](#) [F358300-](#)
[B](#) [F374110](#) [F407400](#) [F412210](#) [F427600](#) [F444110](#) [F487000](#) [F495100-B](#) [F500900-B](#) [F509500B-B](#) [770444-1](#) [776880-1](#) [827153-1](#) [881735-1](#)
[8N1515-32-24P](#) [9-1326727-8](#) [9-1326729-8](#) [925467-1](#) [925474-1](#) [928905-1](#) [936398-2](#) [964562-1](#) [964562-4](#) [964731-2](#) [965051-1](#) [968782-1](#)
[GT17SA-8DS-HU](#) [GT17VS-10DP-5.2CF](#)