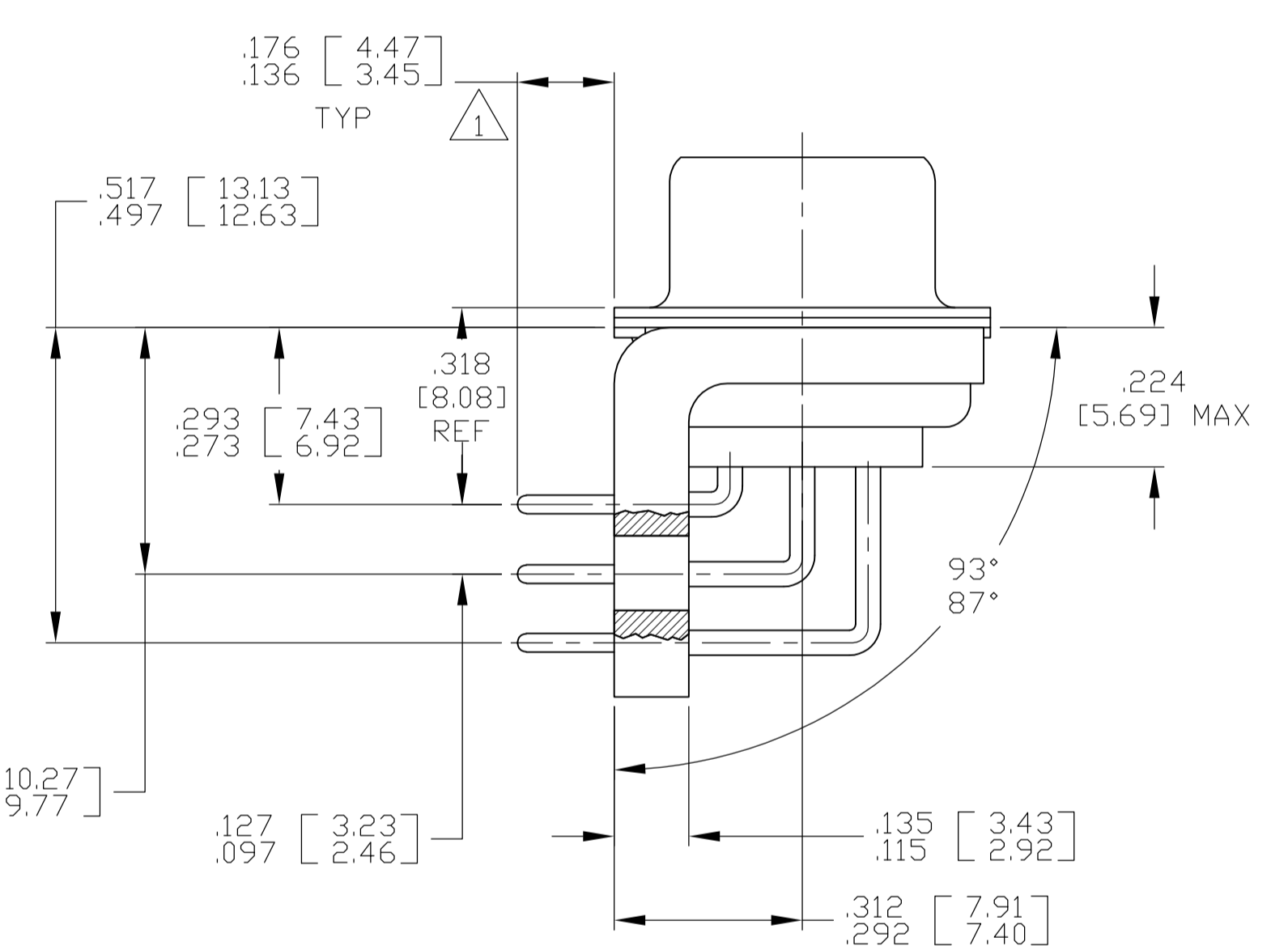
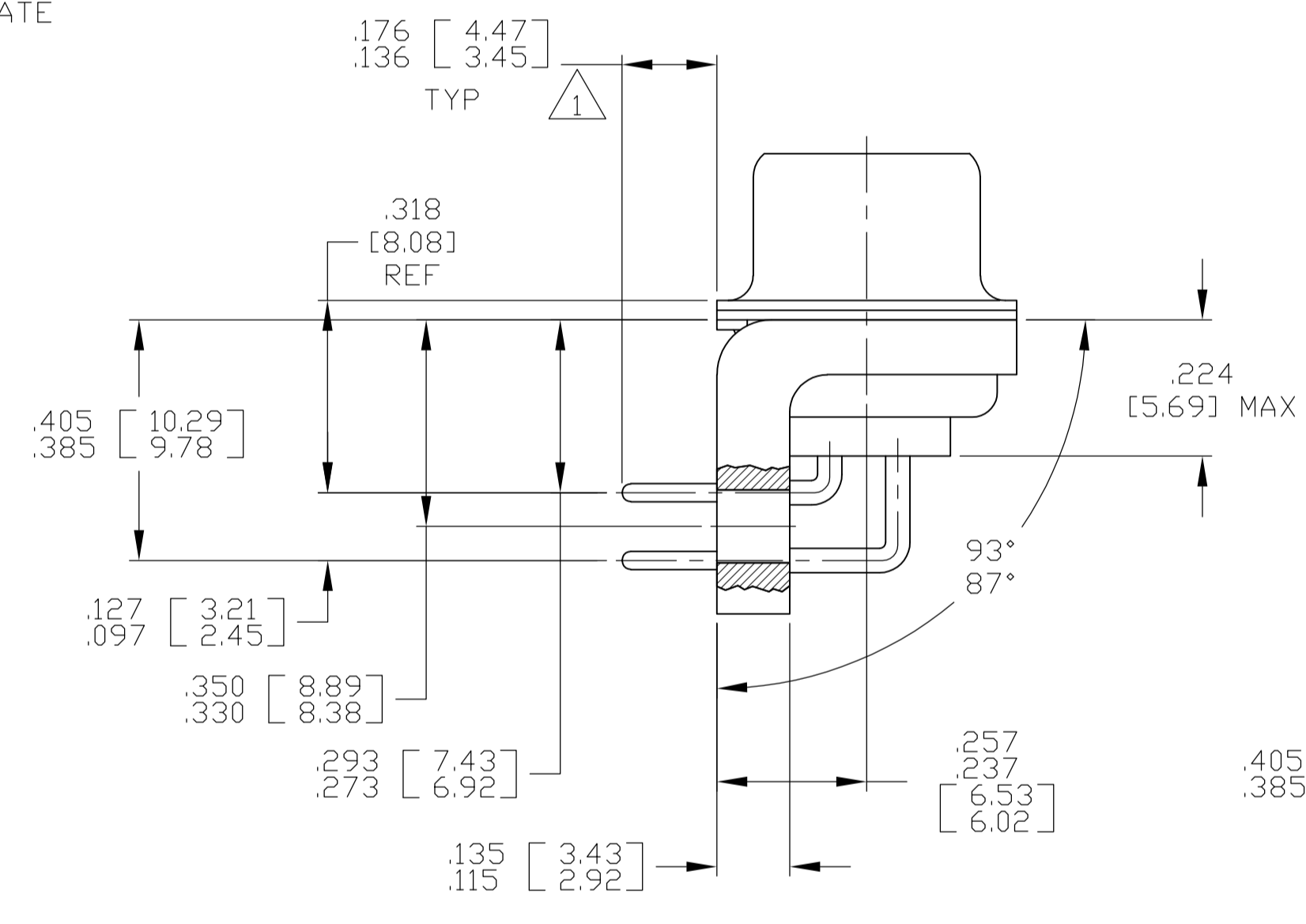
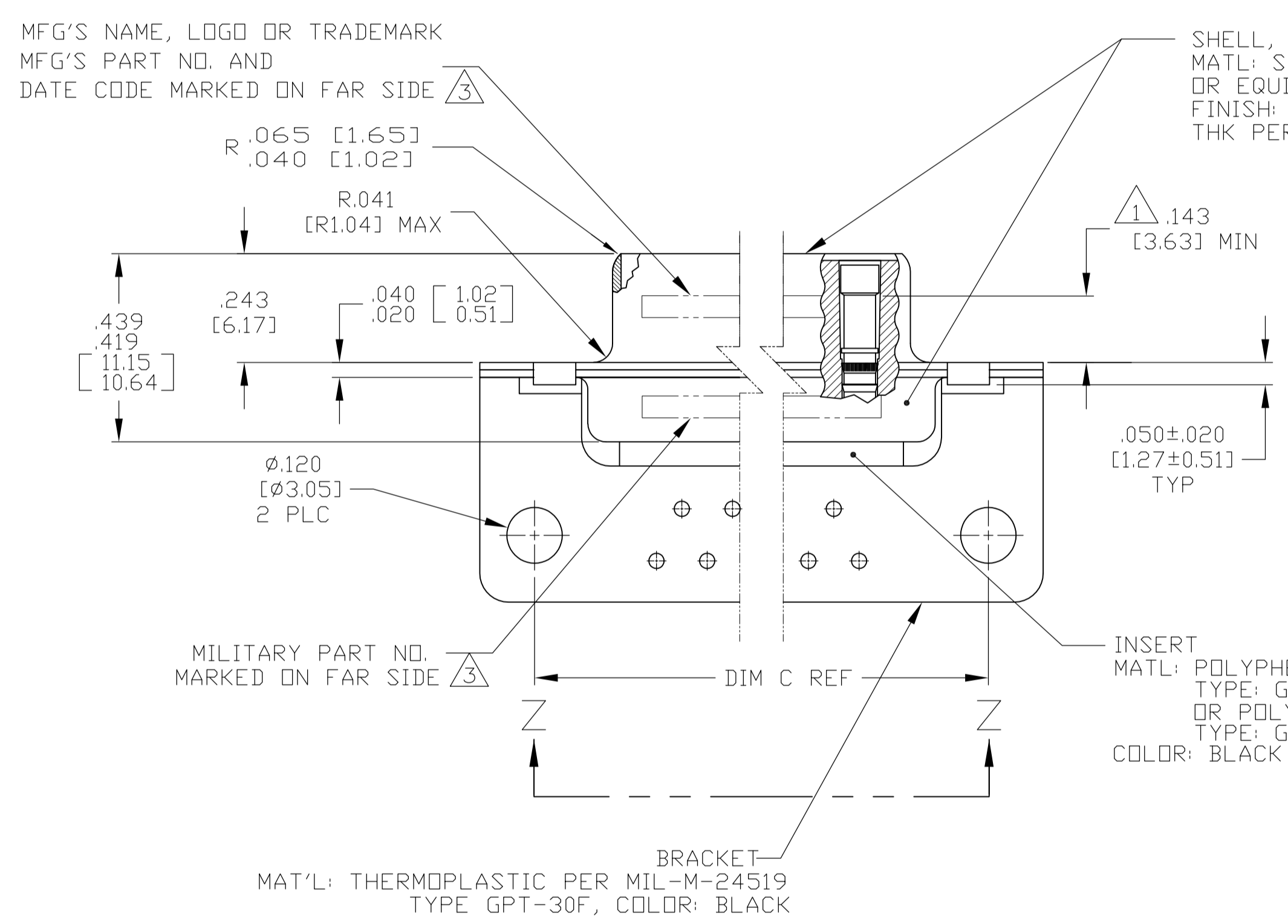
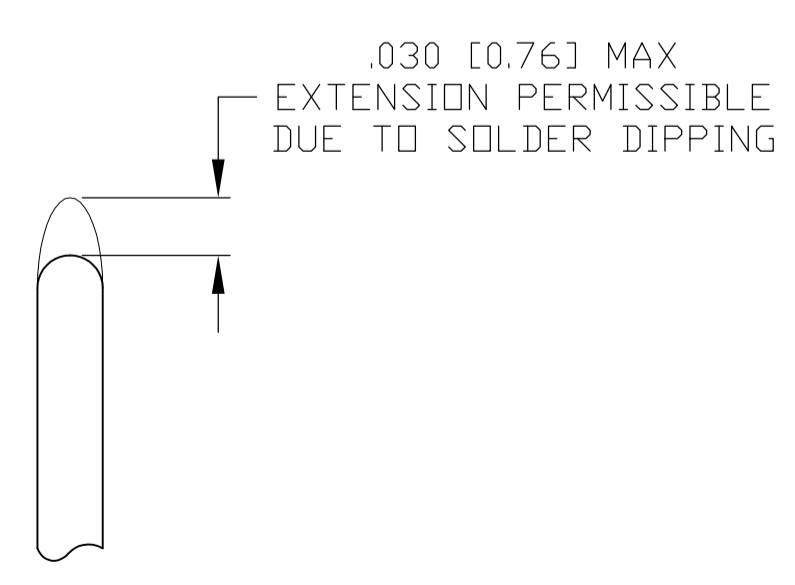


CONTACT (QTY = NO. OF POSN)  
 MATL: BRASS PER ASTM-B-16, OR BERYLLIUM COPPER PER ASTM-B-194  
 FINISH: GOLD PER ASTM-B-488, TYPE II, GRADE C, CLASS 1.27 IN CONTACT MATING AREA, .000010 [0.0003] MIN THK GOLD PER ASTM-B-488 OVER .000050 [0.0013] MIN THK NICKEL PER SAE-AMS-QQ-N-290 ON CONTACT BODY

- SEE SHEET 2 FOR RECOMMENDED P.C. BOARD LAYOUT. TRUE POSITION TOLERANCE FOR P.C. BOARD LAYOUT IS .010 [0.25] AT MAX MATERIAL CONDITION. SUGGESTED BOARD THICKNESS IS .062 [1.57]
- THE CONNECTORS DESCRIBED IN THIS DOCUMENT MEET THE REQUIREMENTS OF MIL-C-24308 AND MATE WITH ANY PLUG CONNECTOR WITH SAME INSERT ARRANGEMENT.
- MARKED WITH .047 [1.19]-.062 [1.57] HIGH CHARACTERS. FAR SIDE REFERS TO THE WIDE SIDE OF THE KEYSTONE. NEAR SIDE REFERS TO THE NARROW SIDE OF THE KEYSTONE. IF THE REAR SHELL IS TOO SMALL FOR THE ENTIRE MILITARY PART NUMBER, MARKING SHALL BE LOCATED AS FOLLOWS:
  - "M24308" ON FRONT SHELL, FAR SIDE.
  - SLASH SHEET AND DASH NUMBER ON REAR SHELL, FAR SIDE.
  - "MFG'S NAME, LOGO OR TRADEMARK" AND DATE CODE ON FRONT SHELL, NEAR SIDE.
  - MFG'S PART NUMBER ON REAR SHELL, NEAR SIDE.
 IF THE FRONT SHELL IS TOO SMALL FOR "MFG'S NAME, LOGO OR TRADEMARK", MFG PART NO AND DATE CODE, MARKING SHALL BE SPLIT AS FOLLOWS:
  - MFG'S PART NUMBER ON REAR SHELL, NEAR SIDE.
  - "MFG'S NAME, LOGO OR TRADEMARK" AND DATE CODE ON FRONT SHELL, NEAR SIDE.
  - MILITARY PART NUMBER ON REAR SHELL, FAR SIDE.
- POINT OF ELECTRICAL ENGAGEMENT - AS MEASURED WITH A .0390-.0393 [0.991-0.998] DIA SQUARE ENDED PIN.
- SOLDER DIPPED PER J-STD-001 WITH Sn63 SOLDER PER J-STD-006 IN THE ENTIRE AREA OF DIMENSION SHOWN. (1757838-6 THRU -10 ONLY.)
- MEETS SOLDERABILITY PER MIL-STD-202 METHOD 208.



.544 [13.82]	.524 [13.31]	2.188 [55.58]	2.168 [55.07]	.620 [15.75]	.590 [14.99]	.428 [10.87]	.418 [10.62]	2.411 [61.24]	2.401 [60.99]	2.069 [52.55]	2.059 [52.30]	2.650 [67.31]	2.620 [66.55]	MS18277-1	50	5	M24308/23-35Z	1757838-5	1-1757838-0
.432 [10.97]	.412 [10.46]	2.282 [57.96]	2.262 [57.45]	.509 [12.93]	.479 [12.17]	.316 [8.03]	.306 [7.77]	2.505 [63.63]	2.495 [63.37]	2.164 [54.97]	2.154 [54.71]	2.744 [69.70]	2.714 [68.94]	MS18276-1	37	4	M24308/23-34Z	1757838-4	1757838-9
.432 [10.97]	.412 [10.46]	1.635 [41.53]	1.615 [41.02]	.509 [12.93]	.479 [12.17]	.316 [8.03]	.306 [7.77]	1.857 [47.17]	1.847 [46.91]	1.516 [38.51]	1.506 [38.25]	2.103 [53.42]	2.073 [52.65]	MS18275-1	25	3	M24308/23-33Z	1757838-3	1757838-8
.432 [10.97]	.412 [10.46]	1.093 [27.76]	1.073 [27.25]	.509 [12.93]	.479 [12.17]	.316 [8.03]	.306 [7.77]	1.317 [33.45]	1.307 [33.20]	.976 [24.79]	.966 [24.54]	1.556 [39.52]	1.526 [38.76]	MS18274-1	15	2	M24308/23-32Z	1757838-2	1757838-7
.432 [10.97]	.412 [10.46]	.769 [19.53]	.749 [19.02]	.509 [12.93]	.479 [12.17]	.316 [8.03]	.306 [7.77]	.989 [25.12]	.979 [24.87]	.648 [16.46]	.638 [16.21]	1.228 [31.19]	1.198 [30.43]	MS18273-1	9	1	M24308/23-31Z	1757838-1	1757838-6
.544 [13.82]	.524 [13.31]	2.188 [55.58]	2.168 [55.07]	.620 [15.75]	.590 [14.99]	.428 [10.87]	.418 [10.62]	2.411 [61.24]	2.401 [60.99]	2.069 [52.55]	2.059 [52.30]	2.650 [67.31]	2.620 [66.55]	MS18277-1	50	5	M24308/23-35Z	1757838-5	1757838-5
.432 [10.97]	.412 [10.46]	2.282 [57.96]	2.262 [57.45]	.509 [12.93]	.479 [12.17]	.316 [8.03]	.306 [7.77]	2.505 [63.63]	2.495 [63.37]	2.164 [54.97]	2.154 [54.71]	2.744 [69.70]	2.714 [68.94]	MS18276-1	37	4	M24308/23-34Z	1757838-4	1757838-4
.432 [10.97]	.412 [10.46]	1.635 [41.53]	1.615 [41.02]	.509 [12.93]	.479 [12.17]	.316 [8.03]	.306 [7.77]	1.857 [47.17]	1.847 [46.91]	1.516 [38.51]	1.506 [38.25]	2.103 [53.42]	2.073 [52.65]	MS18275-1	25	3	M24308/23-33Z	1757838-3	1757838-3
.432 [10.97]	.412 [10.46]	1.093 [27.76]	1.073 [27.25]	.509 [12.93]	.479 [12.17]	.316 [8.03]	.306 [7.77]	1.317 [33.45]	1.307 [33.20]	.976 [24.79]	.966 [24.54]	1.556 [39.52]	1.526 [38.76]	MS18274-1	15	2	M24308/23-32Z	1757838-2	1757838-2
.432 [10.97]	.412 [10.46]	.769 [19.53]	.749 [19.02]	.509 [12.93]	.479 [12.17]	.316 [8.03]	.306 [7.77]	.989 [25.12]	.979 [24.87]	.648 [16.46]	.638 [16.21]	1.228 [31.19]	1.198 [30.43]	MS18273-1	9	1	M24308/23-31Z	1757838-1	1757838-1
DIM J	DIM H	DIM E	DIM D	DIM C	DIM B	DIM A	INSERT ARRANGEMENT	NO OF POS	SHELL SIZE	MILITARY P/N ON CONNECTOR	MFG P/N MARKED ON CONNECTOR	MFG PART NO.							



DETAIL K SCALE 10:1 FOR 1757838-6 THRU -10 ONLY

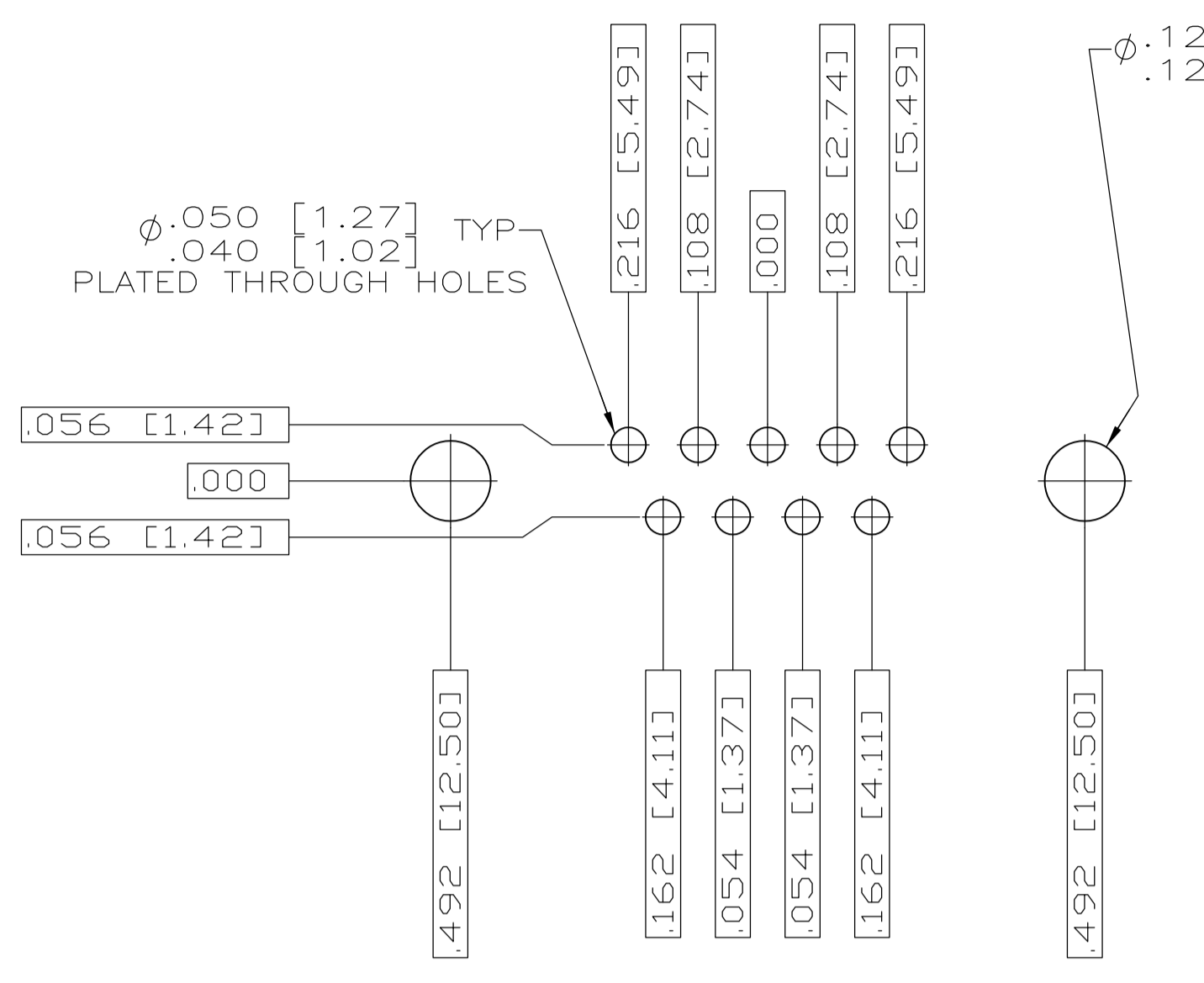
THIS DRAWING IS A CONTROLLED DOCUMENT.

STE TE Connectivity

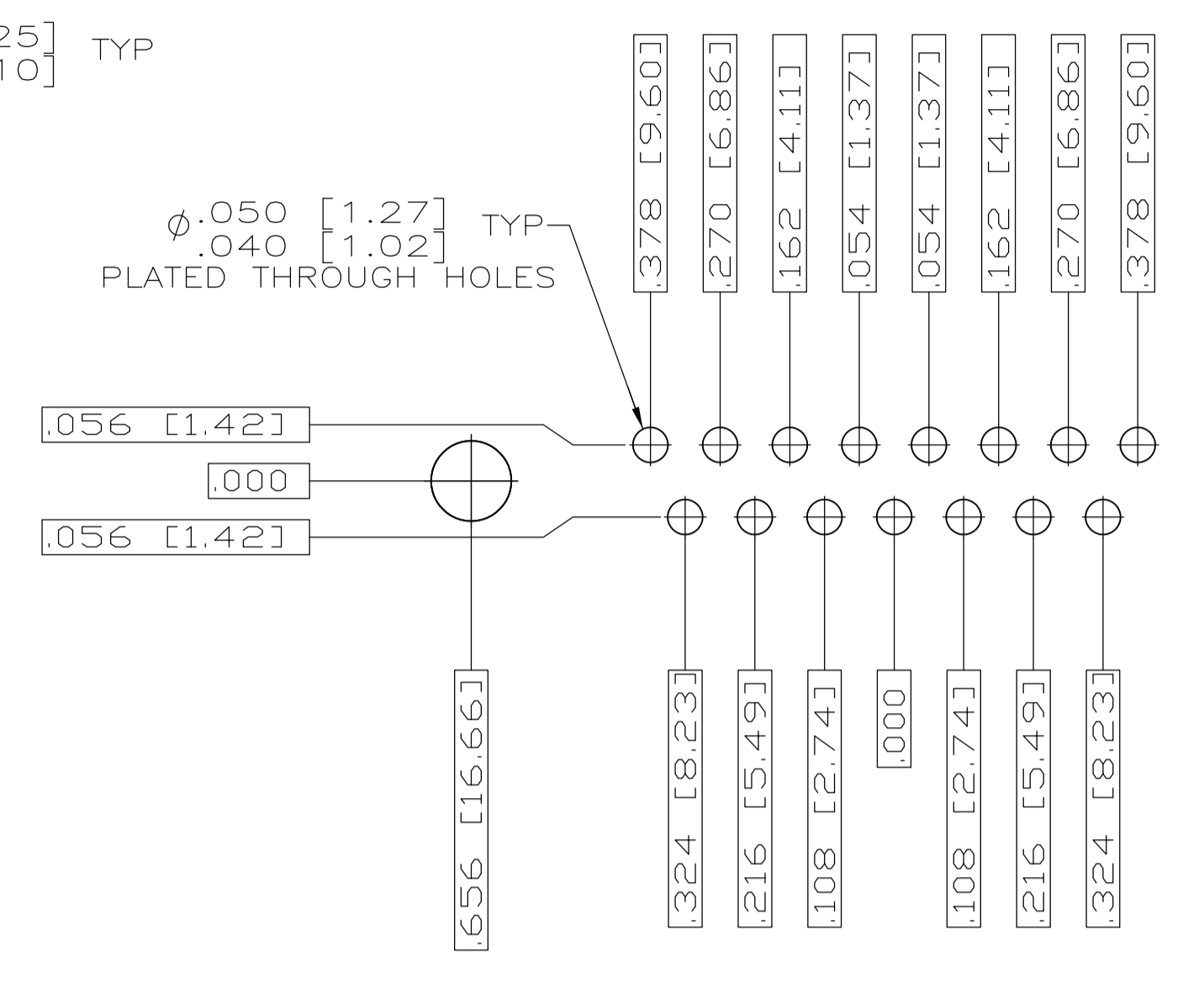
RECEPTACLE ASSEMBLY, AMPLITE, RT ANGLE, SERIES 109, SIZE 1 THRU 5

00779-1757838

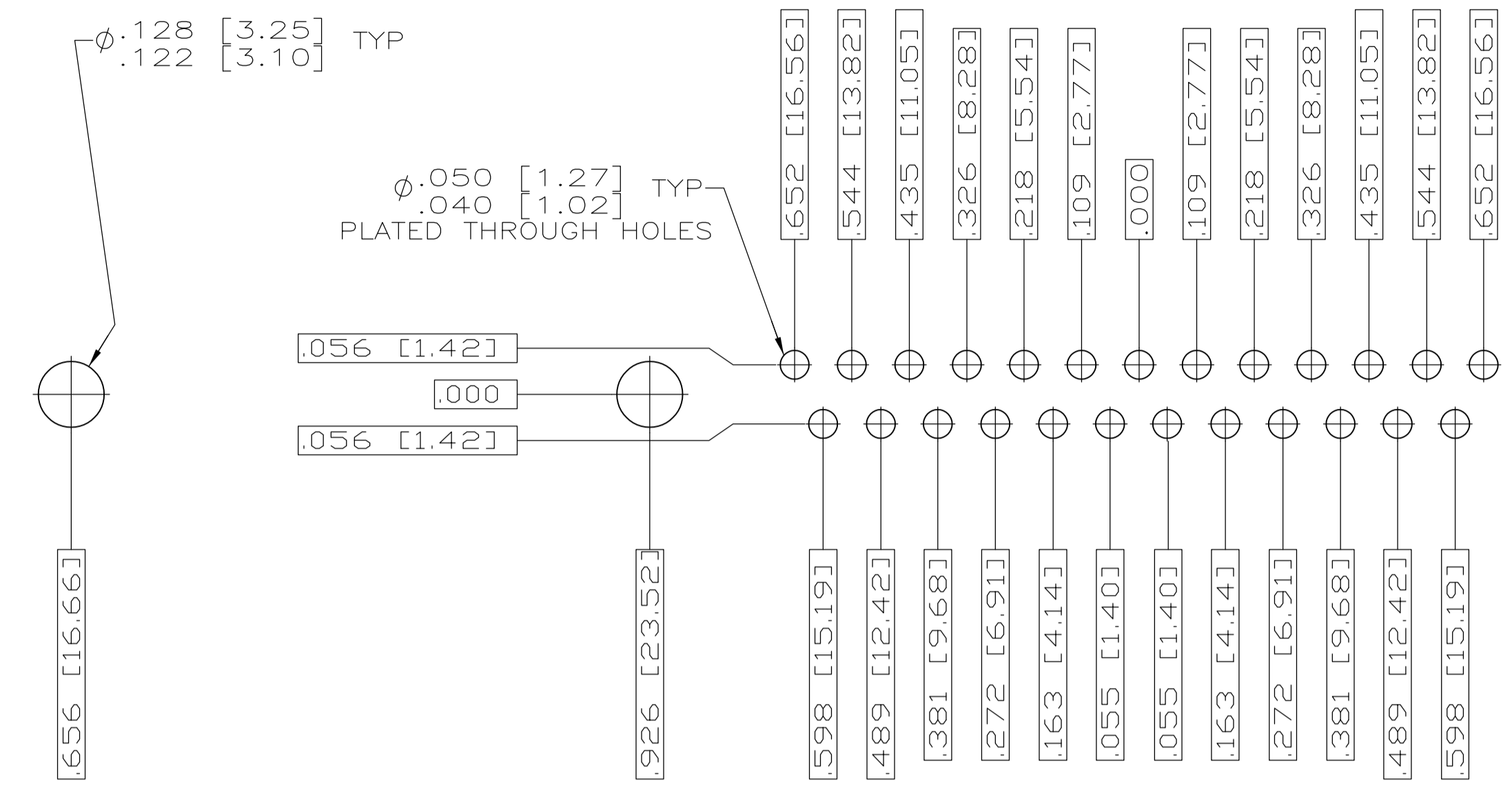
SCALE 4:1 SHEET 1 OF 2 REV C



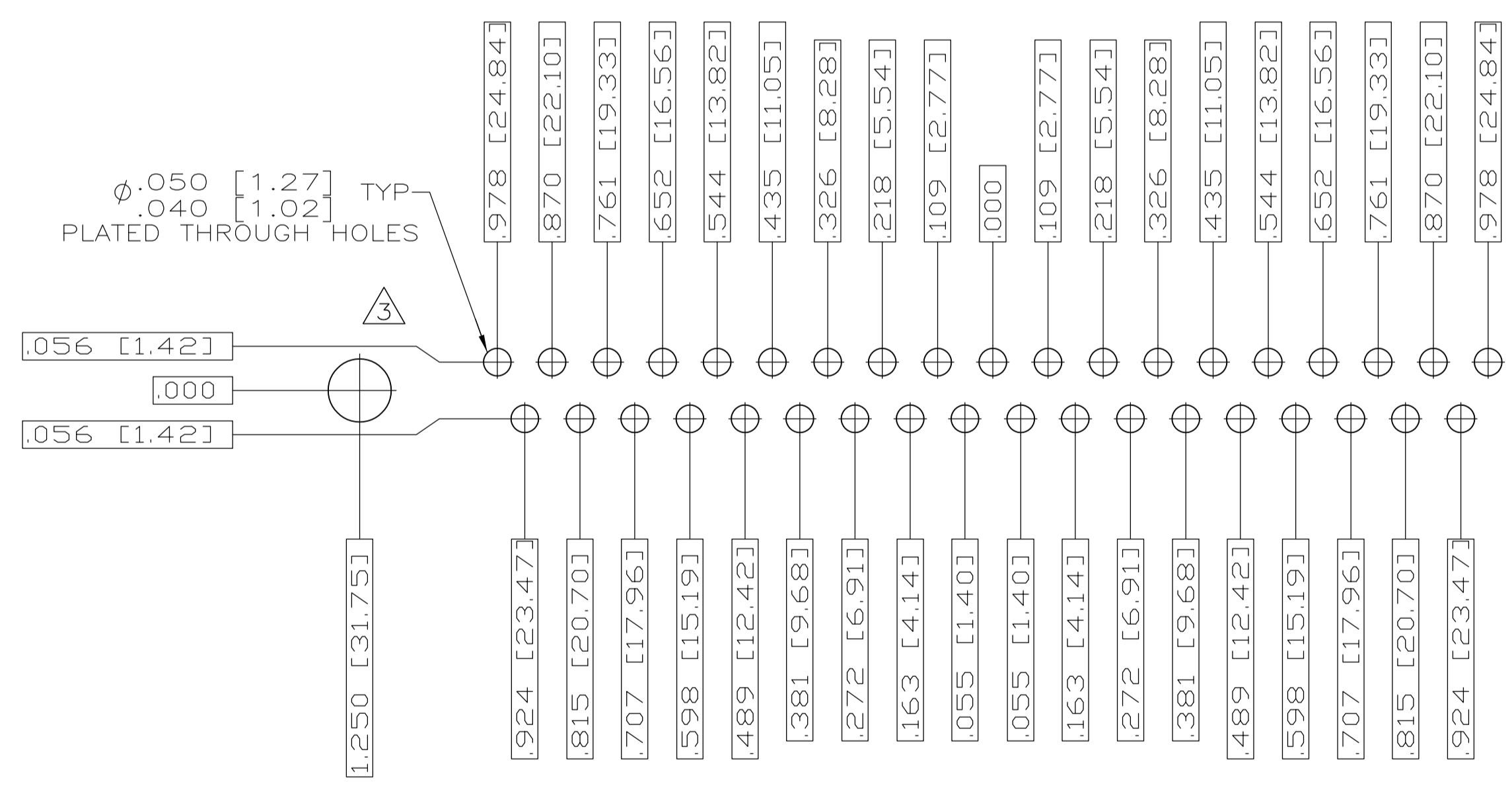
RECOMMENDED P.C. BOARD LAYOUT  
 SHELL SIZE 1 (9 POSITION) ⚠



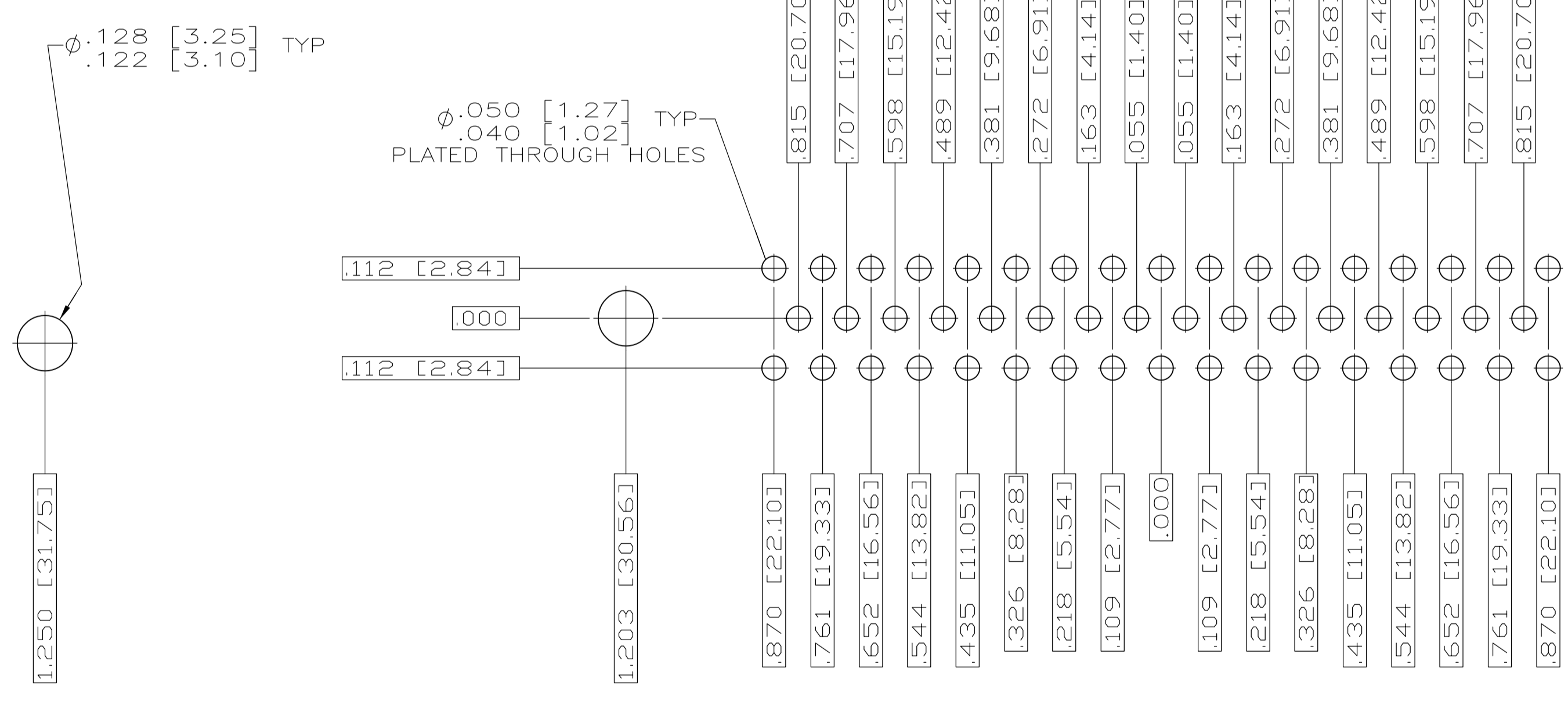
RECOMMENDED P.C. BOARD LAYOUT  
 SHELL SIZE 2 (15 POSITION) ⚠



RECOMMENDED P.C. BOARD LAYOUT  
 SHELL SIZE 3 (25 POSITION) ⚠



RECOMMENDED P.C. BOARD LAYOUT  
 SHELL SIZE 4 (37 POSITION) ⚠



RECOMMENDED P.C. BOARD LAYOUT  
 SHELL SIZE 5 (50 POSITION) ⚠

THIS DRAWING IS A CONTROLLED DOCUMENT.		OWN J.C. THOMAS	3-22-06	TE Connectivity
DIMENSIONS: INCHES		CHK D. MILLER	3-27-06	
	TOLERANCES UNLESS OTHERWISE SPECIFIED:	APP'D D. MILLER	3-27-06	NAME RECEPTACLE ASSEMBLY, AMPULMITE, RT ANGLE, SERIES 109, SIZE 1 THRU 5
	0 PLC ± -	PRODUCT SPEC		
	1 PLC ± -	APPLICATION SPEC		
	2 PLC ± -	WEIGHT		
MATERIAL SEE CALLOUTS		FINISH SEE CALLOUTS	SIZE A1	CAGE CODE 00779
		WEIGHT	DRAWING NO 1757838	RESTRICTED TO
		WEIGHT	CUSTOMER DRAWING	SCALE 4:1
		WEIGHT		SHEET 2 OF 2
		WEIGHT		REV C

## X-ON Electronics

Largest Supplier of Electrical and Electronic Components

*Click to view similar products for [D-Sub MIL Spec Connectors](#) category:*

*Click to view products by [TE Connectivity](#) manufacturer:*

Other Similar products are found below :

[M24308/4-13Z](#) [M8351307-B](#) [D38999/20FJ43HN](#) [D38999/24WG11PB-LC](#) [D38999/24WG41HN](#) [MDM-15PH041P](#) [MDM-21PH041P](#) [MDM-21SH003B-K139](#) [850-056-0812](#) [1218697-4](#) [DBMM25S](#) [MS27467T21F41S](#) [17D25HV](#) [1996840-1](#) [243082-15](#) [1663962-1](#) [1757682-1](#) [17D-E51218-1](#) [17SDA15S](#) [1883533-1](#) [1883886-1](#) [1883889-1](#) [192900-0377](#) [308-CP6P0441-024H](#) [M24308/2-3Z](#) [M24308/4-3Z](#) [M24308/4-4F](#) [M24308/4-4Z](#) [M24308/8-347](#) [M83513/03-E09C](#) [M83723/75W2212N L/C](#) [D38999/24FJ29PN-LC](#) [D38999/24WG11SB-LC](#) [MDM-21PH046P](#) [5-1218949-1](#) [550-031NF1R6K](#) [550E001NF1R3J0L](#) [550T001NF1R6K0L](#) [557T283NF5B08](#) [C115368-1612B](#) [C115370-1717B](#) [DC121073157](#) [443869-3](#) [443869-4](#) [443869-5](#) [550S004NF1R1B0F03](#) [550-031NF1R2E](#) [550E003M2R9J0F04](#) [550E003M3R9J0F05](#) [550E024M104R9J0](#)