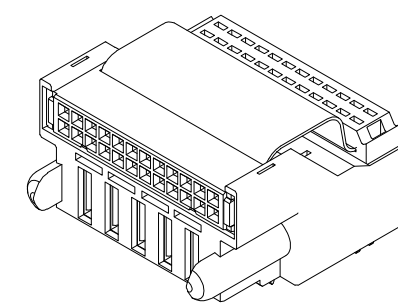
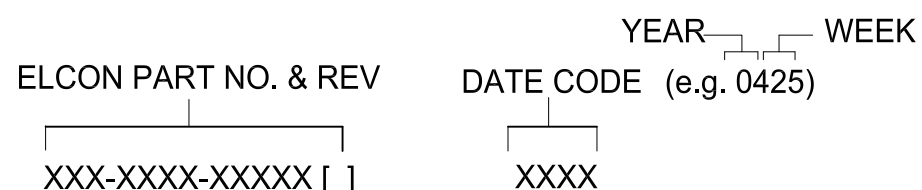


THIS DRAWING IS UNPUBLISHED. RELEASED FOR PUBLICATION  
 © COPYRIGHT - By - ALL RIGHTS RESERVED.

LOC	DIST	REVISIONS					
GP	00	P	LTR	DESCRIPTION	DATE	DWN	APVD
			F	REV PER ECO-11-020831	12SEPT2011	RG	MS

**NOTES: UNLESS OTHERWISE SPECIFIED**

- PART NUMBER CHANGES AND OR DESIGN CHANGES AFFECTING ITEM INTERCHANGEABILITY REQUIRE PRIOR ELCON APPROVAL AND AUTHORIZATION BY REVISION TO THIS DRAWING.
- MATERIALS:  
 INSULATORS: THERMOPLASTIC, GLASS REINFORCED, COLOR-BLACK  
 UL94V-0 FLAMMABILITY RATED  
 CONTACTS: COPPER ALLOY
- FINISHES:  
 CONTACT PLATING: SELECTIVELY GOLD PLATE PER MIL-G-45204 OVER NICKEL PER QQ-N-290  
 PCB TERMINATION: TIN PLATE, MATTE FINISH, .000120" TO .000170" THICKNESS.  
 RIBBON CABLE CONNECTOR: LEAD FREE
- A REFERENCE DIMENSION (.XXX) IS WITHOUT TOLERANCE AND USED FOR INFORMATION PURPOSES ONLY.
- ITEMS PROVIDED TO THIS SPECIFICATION TO BE PERMANENTLY IDENTIFIED PER THE FOLLOWING IDENTIFIER:

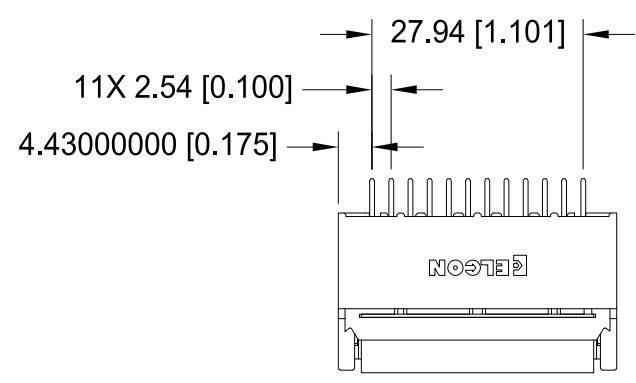


- SEE DRAWING C-1766056 FOR MATING PIN CONNECTOR 377-0084-11110.
- MACHINED PART 373-0084-00900 WILL BE REPLACED BY MOLDED PART 373-0084-11130 WHEN TOOLING BECOMES AVAILABLE.
- REFERENCE TYCO PART NUMBER 1766057-1 (ELCON PN 373-0084-11130).

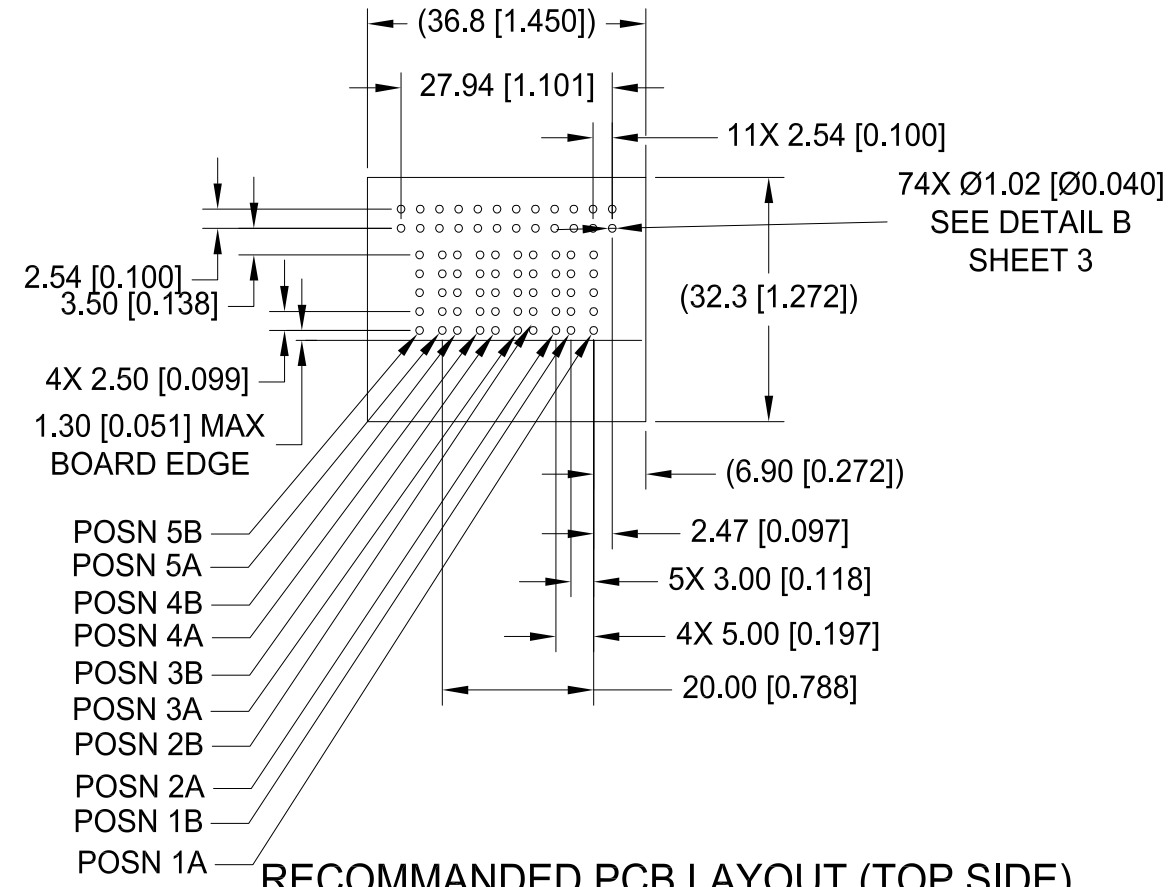
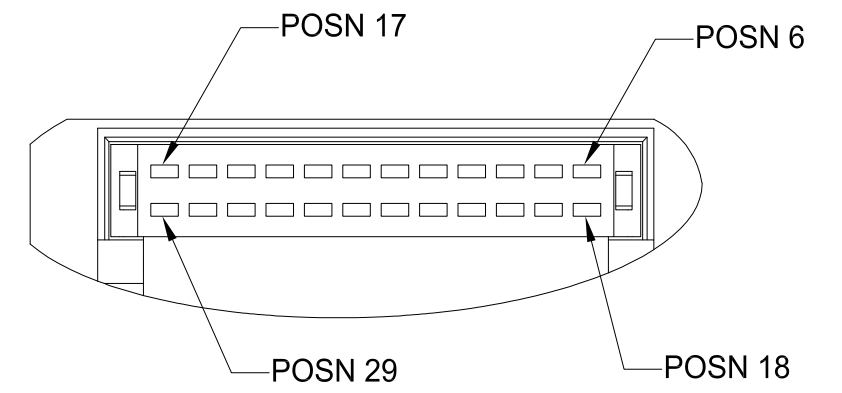
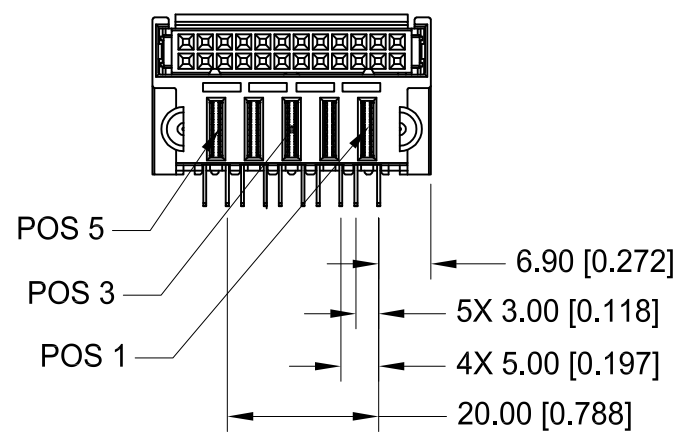
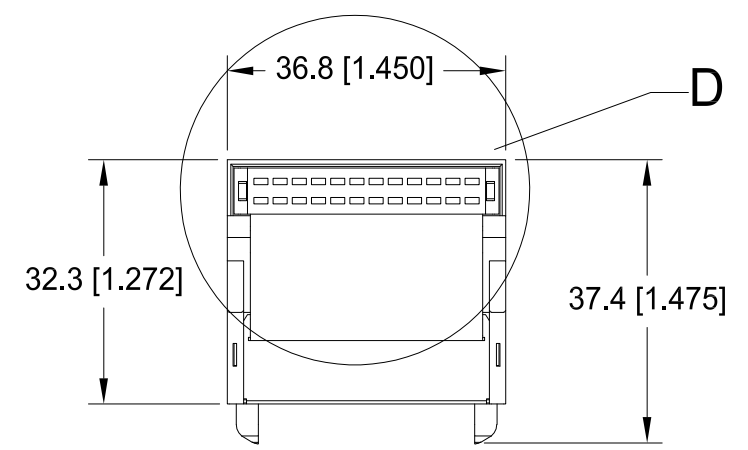
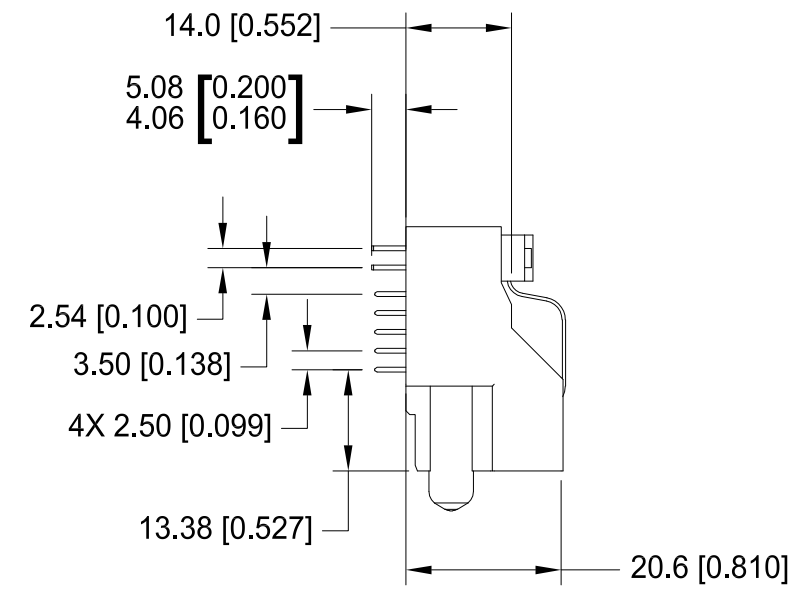
THIS DRAWING IS A CONTROLLED DOCUMENT.		DWN	S.WAN	01/15/04	TE Connectivity		
DIMENSIONS: mm		CHK	-	-			
TOLERANCES UNLESS OTHERWISE SPECIFIED:		APVD	D.CHAU	09/28/04	NAME		
0 PLC ± -		PRODUCT SPEC		SOCKET CONNECTOR, MINIPAK, RIGHT ANGLE			
1 PLC ± 0.5		APPLICATION SPEC		STND SLDR, LEAD FREE PN: 373-0084-11130E (MOLDED)			
2 PLC ± 0.25		WEIGHT		A3 00779		C-1766057	
3 PLC ± -		CUSTOMER DRAWING		SCALE 1:1		SHEET 1 OF 3	
4 PLC ± -		MATERIAL		RESTRICTED TO		REV F	
ANGLES ± -		FINISH		REV		F	

THIS DRAWING IS UNPUBLISHED. RELEASED FOR PUBLICATION  
 © COPYRIGHT - By - ALL RIGHTS RESERVED.

LOC	DIST	REVISIONS					
GP	00	P	LTR	DESCRIPTION	DATE	DWN	APVD
		-		SEE SHEET 1	-	-	-



ON NOTE 3: CHANGED ALL PCB TERMINATION TO LEAD FREE TIN PLATE, MATTE FINISH, .000120" TO .000170"  
 CHANGED ELCON PN: 373-0084-11130, WAS 373-0084-01130



74X Ø1.02 [Ø0.040]  
 SEE DETAIL B SHEET 3

REDESIGN CONNECTOR TO MATCH WITH 377-0084-01110C  
 CHANGED CUD TO C-1766057, PREVIOUSLY 997-084-2

- 7 MACHINED PART 373-0084-00900 WILL BE REPLACED BY MOLDED PART 373-0084-11130 WHEN TOOLING BECOMES AVAILABLE.
- 8. REFERENCE TYCO PART NUMBER 1766057-1 (ELCON PN 373-0084-11130).

THIS DRAWING IS A CONTROLLED DOCUMENT.		DWN	S.WAN	01/15/04	TE Connectivity		
DIMENSIONS: mm		CHK	-	-			
TOLERANCES UNLESS OTHERWISE SPECIFIED:		APVD	D.CHAU	09/28/04	NAME		
0 PLC ± -		PRODUCT SPEC		SOCKET CONNECTOR, MINIPAK, RIGHT ANGLE			
1 PLC ± 0.5		APPLICATION SPEC		STND SLDR, LEAD FREE PN: 373-0084-11130E (MOLDED)			
2 PLC ± 0.25		WEIGHT		A3 00779		DRAWING NO	
3 PLC ± -		MATERIAL		C-1766057		RESTRICTED TO	
4 PLC ± -		FINISH		SCALE 1:1		SHEET 2 OF 3	
ANGLES ± -		CUSTOMER DRAWING		REV F			

THIS DRAWING IS UNPUBLISHED.

RELEASED FOR PUBLICATION

---

© COPYRIGHT - By -

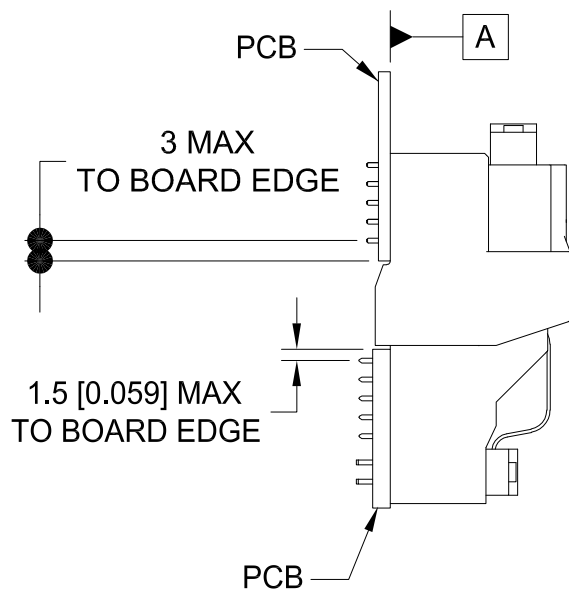
ALL RIGHTS RESERVED.

LOC GP DIST 00

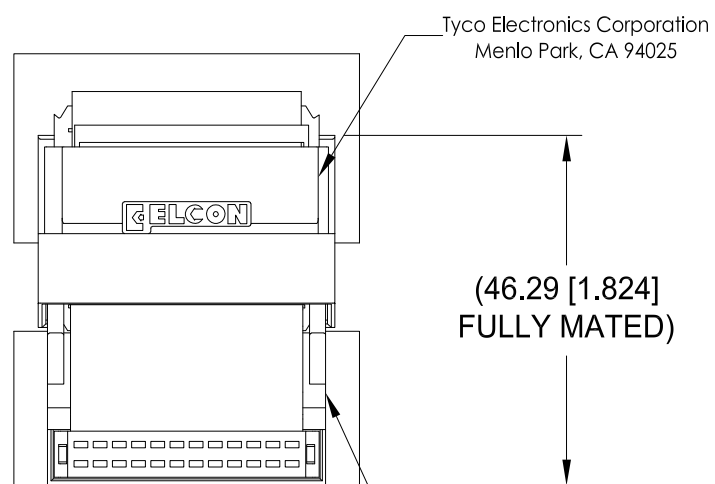
REVISIONS

P	LTR	DESCRIPTION	DATE	DWN	APVD
-	-	SEE SHEET 1	-	-	-

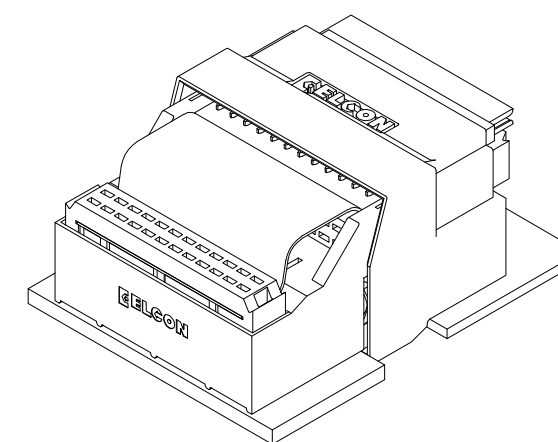
ON NOTE 3: CHANGED ALL PCB TERMINATION TO  
LEAD FREE TIN PLATE, MATTE FINISH, .000120" TO .000170"  
CHANGED ELCON PN: 373-0084-11130, WAS 373-0084-01130



MATED CONDITION




REDESIGN CONNECTOR TO MATCH WITH 377-0084-01110C  
CHANGED CUD TO C-1766057, PREVIOUSLY 997-084-2



**DETAIL B**  
**SOLDER TERMINATION AREA**

RECOMMENDED PRINTED CIRCUIT HOLE  
FINISHED HOLE:  $\varnothing 1.02 [0.040] \pm 0.08 [0.003]$   
DRILLED HOLE:  $\varnothing 1.15 [0.0453] \pm 0.015 [0.0005]$   
COPPER PLATE: 0.025 [0.0010] MINIMUM (PER SURFACE)  
TIN PLATE: 0.008 [0.0003] MINIMUM (PER SURFACE)

THIS DRAWING IS A CONTROLLED DOCUMENT.		DWN S.WAN 01/15/04	 TE Connectivity			
DIMENSIONS: mm		CHK -				NAME
TOLERANCES UNLESS OTHERWISE SPECIFIED:		APVD D.CHAU 09/28/04	SOCKET CONNECTOR, MINIPAK, RIGHT ANGLE			
0 PLC $\pm -$ 1 PLC $\pm 0.5$ 2 PLC $\pm 0.25$ 3 PLC $\pm -$ 4 PLC $\pm -$ ANGLES $\pm -$		PRODUCT SPEC -	STND SLDR, LEAD FREE PN: 373-0084-11130E (MOLDED)			
MATERIAL -		APPLICATION SPEC -	PN: 373-0084-00900E (MACHINED)			
FINISH -		WEIGHT -	SIZE A3	CAGE CODE 00779	DRAWING NO C-1766057	RESTRICTED TO -
CUSTOMER DRAWING			SCALE 1:1	SHEET 3 OF 3	REV F	

## X-ON Electronics

Largest Supplier of Electrical and Electronic Components

*Click to view similar products for [Power to the Board](#) category:*

*Click to view products by [TE Connectivity](#) manufacturer:*

Other Similar products are found below :

[10131318-08512GRLF](#) [6450171-4](#) [6450552-7](#) [6600323-8](#) [6643429-1](#) [6646040-2](#) [6651939-1](#) [6766604-1](#) [120959-1](#) [1393557-2](#) [1393532-2](#)  
[1393532-3](#) [1393532-4](#) [1393557-1](#) [1600812-5](#) [1-6450861-2](#) [1645595-1](#) [1743490-1](#) [1744132-7](#) [1761122-1](#) [1766169-1](#) [1766250-1](#) [18362](#)  
[1892109-1](#) [1-967627-6](#) [2226808-1](#) [2-6450860-5](#) [2-6450860-6](#) [2-6450870-0](#) [93003-0502](#) [953552-1](#) [1-6450161-4](#) [1-6450850-6](#) [1645526-2](#) [1-](#)  
[6600130-0](#) [1743419-1](#) [1766150-1](#) [2005243-2](#) [211110-1](#) [2-6600130-2](#) [TE34-12-16P-F0](#) [5-6450830-6](#) [5646956-4](#) [36662-0005](#) [40585-3000](#) [4-](#)  
[6450830-9](#) [4-6600333-3](#) [51142-0214](#) [10134048-911LF](#) [10130248-005LF](#)