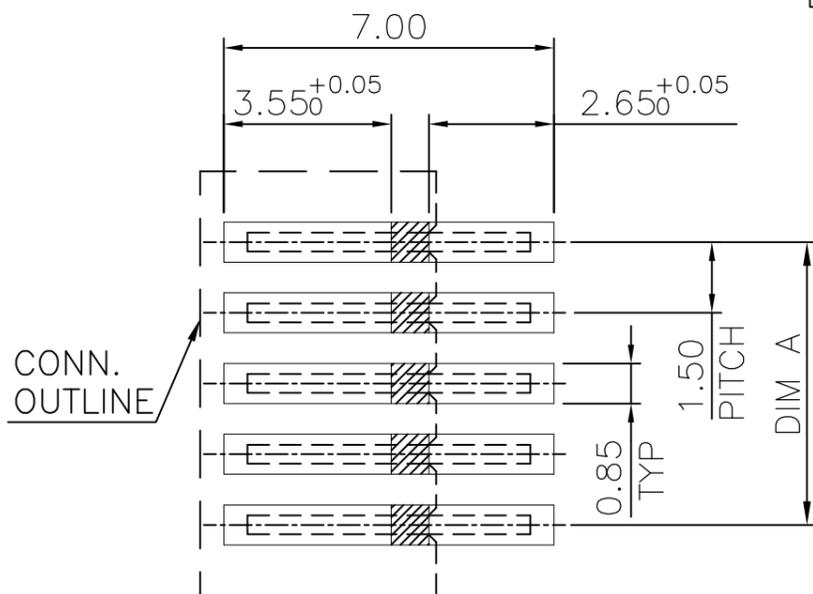
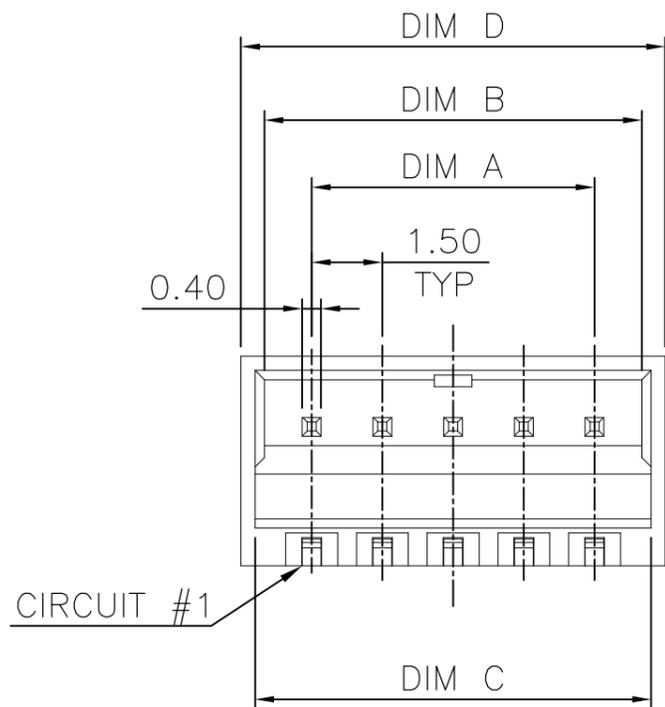


THIS DRAWING IS UNPUBLISHED. RELEASED FOR PUBLICATION  
 © COPYRIGHT - BY - ALL RIGHTS RESERVED.

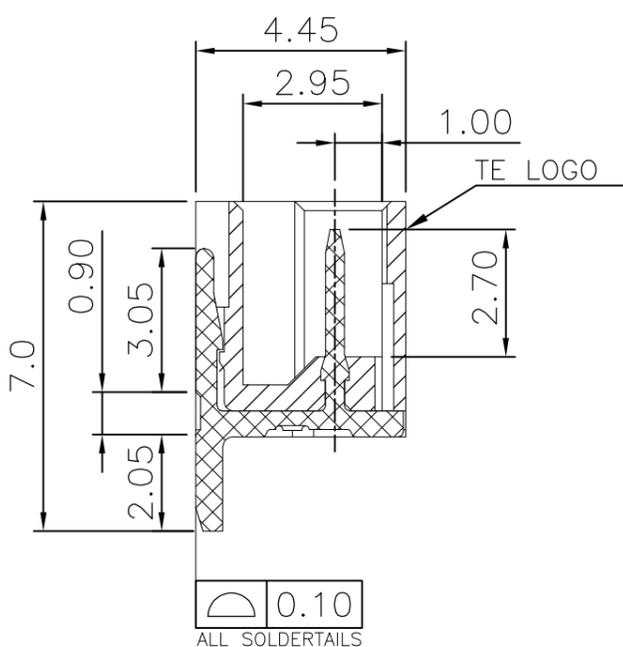
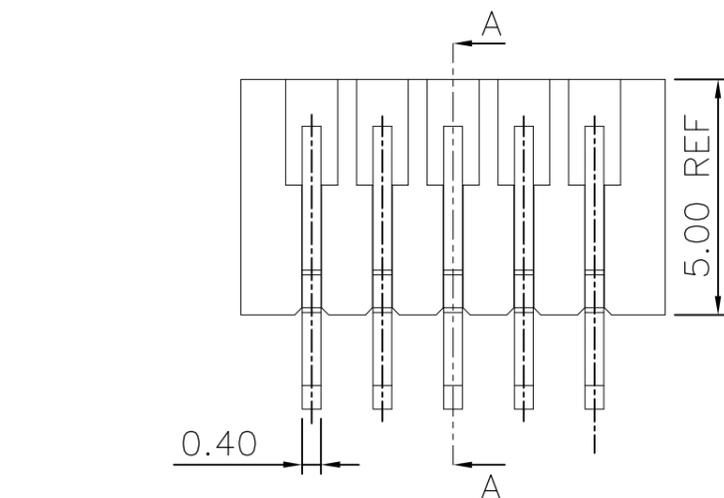
LOC		DIST		REVISIONS				
DW		P	LTR	DESCRIPTION	DATE	DWN	APVD	
			A3	REVISED PER ECO-11-005301	07MAR11	RK	HMR	



WITHOUT SOLDER AREA  
 RECOMMENDED PCB LAYOUT  
 TOLERANCE: ±0.05

NOTES:

- MATERIALS:  
HOUSING: THERMOPLASTIC, UL94-V0, COLOR: NATURAL.  
TERMINAL: BRASS, THICKNESS=0.4mm.
- FINISH:  
TERMINAL: 100μ" MIN. BRIGHT TIN PLATED OVER  
50μ" MIN. NICKEL UNDERPLATED ALL OVER.
- TERMINAL RETENTION FORCE: 1.0 Kgf MIN.
- REFLOW SOLDER CAPABLE TO 260°C PER TE CONNECTIVITY SPEC 109-201, CONDITION B.



SECTION A-A

REEL	24.00	23.40	23.00	21.00	15	6-1775444-5
	22.50	21.90	21.50	19.50	14	6-1775444-4
	21.00	20.40	20.00	18.00	13	6-1775444-3
	19.50	18.90	18.50	16.50	12	6-1775444-2
	18.00	17.40	17.00	15.00	11	6-1775444-1
	16.50	15.90	15.50	13.50	10	6-1775444-0
	15.00	14.40	14.00	12.00	9	5-1775444-9
	13.50	12.90	12.50	10.50	8	5-1775444-8
	12.00	11.40	11.00	9.00	7	5-1775444-7
	10.50	9.90	9.50	7.50	6	5-1775444-6
	9.00	8.40	8.00	6.00	5	5-1775444-5
	7.50	6.90	6.50	4.50	4	5-1775444-4
	6.00	5.40	5.00	3.00	3	5-1775444-3
	4.50	3.90	3.50	1.50	2	5-1775444-2
	TUBE	24.00	23.40	23.00	21.00	15
22.50		21.90	21.50	19.50	14	1-1775444-4
21.00		20.40	20.00	18.00	13	1-1775444-3
19.50		18.90	18.50	16.50	12	1-1775444-2
18.00		17.40	17.00	15.00	11	1-1775444-1
16.50		15.90	15.50	13.50	10	1-1775444-0
15.00		14.40	14.00	12.00	9	1775444-9
13.50		12.90	12.50	10.50	8	1775444-8
12.00		11.40	11.00	9.00	7	1775444-7
10.50		9.90	9.50	7.50	6	1775444-6
9.00		8.40	8.00	6.00	5	1775444-5
7.50		6.90	6.50	4.50	4	1775444-4
6.00		5.40	5.00	3.00	3	1775444-3
4.50		3.90	3.50	1.50	2	1775444-2

PACKAGE	D	C	B	A	POS.	PART NUMBER
	DIMENSIONS					

THIS DRAWING IS A CONTROLLED DOCUMENT.		DWN	J. LAI	19FEB2009	TE Connectivity EMIX CONN., 1.5mm PITCH HDR, RIGHT ANGLE		
DIMENSIONS: MM		CHK	S. CHIEN	19FEB2009			
TOLERANCES UNLESS OTHERWISE SPECIFIED:		APVD	W. KODAMA	19FEB2009			
0 PLC ± - 1 PLC ± 0.25 2 PLC ± 0.15 3 PLC ± 0.10 4 PLC ± - ANGLES ± -		PRODUCT SPEC		NAME			
MATERIAL SEE NOTE		FINISH SEE NOTE		108-57631	RESTRICTED TO		
		QUALIFICATION TEST REPORT		501-57736	SIZE	CAGE CODE	DRAWING NO
		WEIGHT - GRAMS		A3	00779	C=1775444	
		CUSTOMER DRAWING		SCALE	SHEET	1 OF 3	REV A3



THIS DRAWING IS UNPUBLISHED.

RELEASED FOR PUBLICATION

- . - .

© COPYRIGHT - BY -

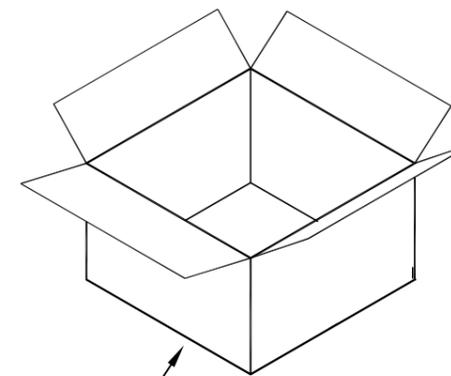
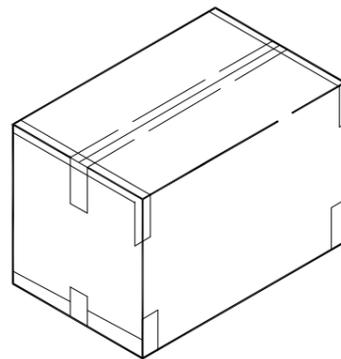
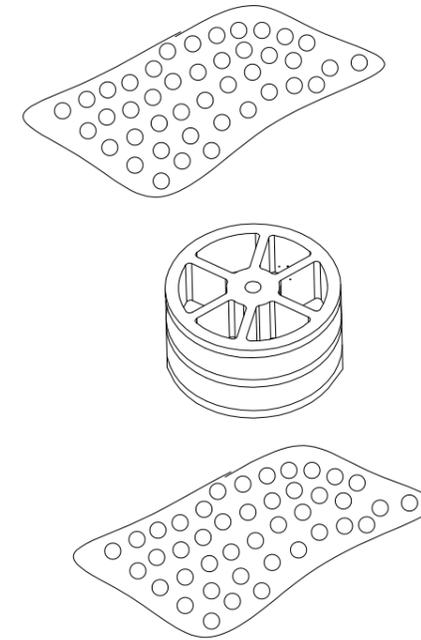
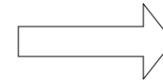
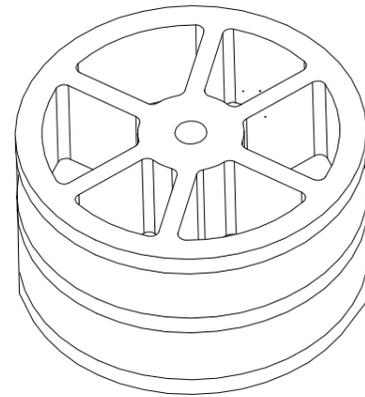
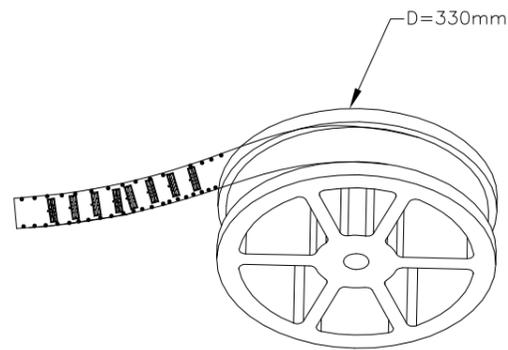
ALL RIGHTS RESERVED.

LOC  
DW

DIST  
/

REVISIONS

P	LTR	DESCRIPTION	DATE	DWN	APVD
-	-	SEE SHEET 1.	-	-	-



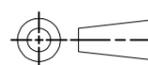
CARTON  
335mm(L)\*335mm(W)\*480mm(H)

1000	4	4000	15	6-1775444-5
1000	4	4000	14	6-1775444-4
1000	4	4000	13	6-1775444-3
1000	4	4000	12	6-1775444-2
1000	4	4000	11	6-1775444-1
1000	4	4000	10	6-1775444-0
1000	6	6000	9	5-1775444-9
1000	6	6000	8	5-1775444-8
1000	6	6000	7	5-1775444-7
1000	6	6000	6	5-1775444-6
1000	6	6000	5	5-1775444-5
1000	9	9000	4	5-1775444-4
1000	9	9000	3	5-1775444-3
1000	9	9000	2	5-1775444-2

PCS/REEL	REELS/CARTON	QUANTITY (PCS)	POS.	PART NUMBER
----------	--------------	----------------	------	-------------

THIS DRAWING IS A CONTROLLED DOCUMENT.

DIMENSIONS:  
MM



TOLERANCES UNLESS OTHERWISE SPECIFIED:

- 0 PLC ± -
- 1 PLC ± -
- 2 PLC ± -
- 3 PLC ± -
- 4 PLC ± -
- ANGLES ± -

MATERIAL

FINISH

DWN
CHK
APVD
PRODUCT SPEC
APPLICATION SPEC
WEIGHT



NAME  
EMIX CONN., 1.5mm PITCH  
HDR, RIGHT ANGLE

SIZE	CAGE CODE	DRAWING NO	RESTRICTED TO
A3	00779	C=1775444	-

CUSTOMER DRAWING

SCALE	SHEET	REV
-	3 OF 3	A3

## X-ON Electronics

Largest Supplier of Electrical and Electronic Components

*Click to view similar products for [Headers & Wire Housings](#) category:*

*Click to view products by [TE Connectivity](#) manufacturer:*

Other Similar products are found below :

[95000-104TRLF](#) [10135584-644402LF](#) [DF62W-EP2022PCA](#) [95000-106TRLF](#) [DF62W-2022SCA](#) [DF62W-EP2022PC](#) [2203348](#) [DF62W-2022SC](#) [1084018](#) [1029039](#) [1084017](#) [802-10-012-10-002000](#) [1112640](#) [1112639](#) [000-34000](#) [0009482033](#) [0009507031](#) [57102-S06-03LF](#) [57202-S52-04LF](#) [PCN6-15S-2.5E](#) [0039019024](#) [58102-G61-06LF](#) [582553-1](#) [0009485154](#) [0009508121](#) [0022285053](#) [0050291907](#) [018731A](#) [LY20-4P-DT1-P1E-BR](#) [02.125.8002.8](#) [60101931](#) [60598-1 \(Cut Strip\)](#) [M1625-3R/100](#) [61062-3](#) [61082-181009](#) [636-1427](#) [638009-1](#) [641938-9](#) [641991-4](#) [644168-1](#) [647662-1](#) [65039-019ELF](#) [65817-002LF](#) [65817-015LF](#) [65863-015LF](#) [66207-023LF](#) [67016-026LF](#) [67046-001LF](#) [67095-007LF](#) [67230-005LF](#)