

THIS DRAWING IS UNPUBLISHED. RELEASED FOR PUBLICATION
 © COPYRIGHT BY TYCO ELECTRONICS CORPORATION. ALL RIGHTS RESERVED.

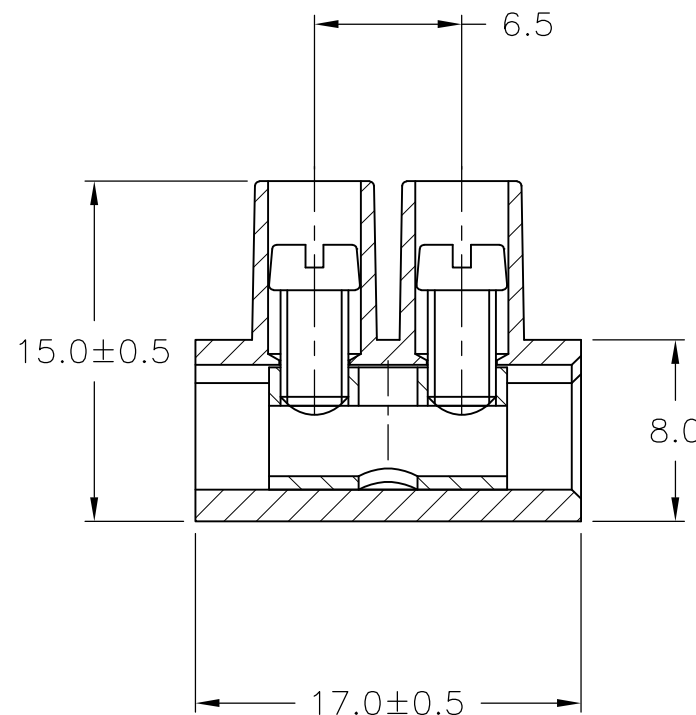
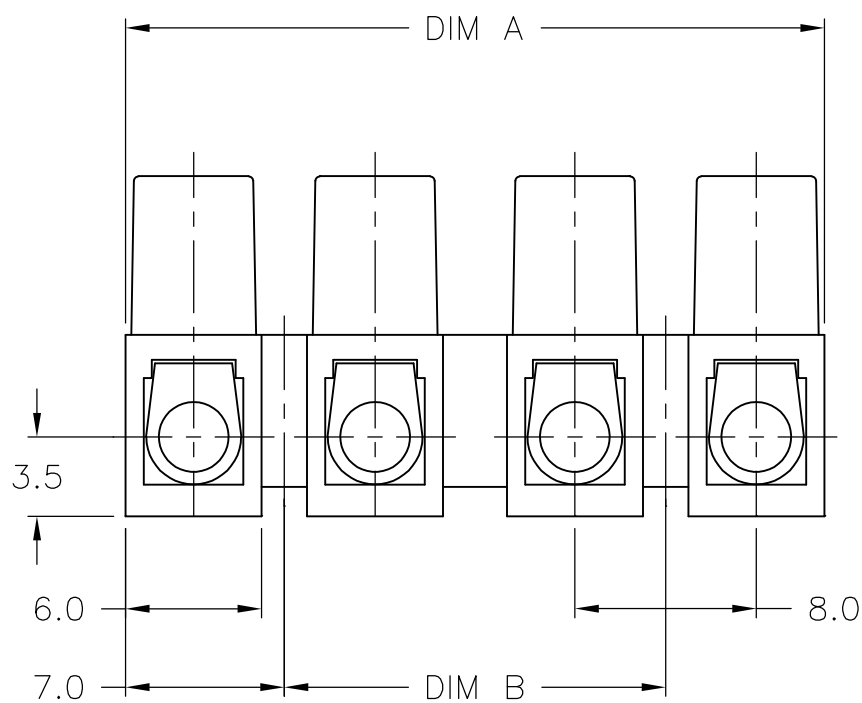
LOC	DIST	REVISIONS					
FT	0	P	LTR	DESCRIPTION	DATE	DWN	APVD
			01	REVISED PER ECO-07-019134	8/20/07	SS	CR

MATERIALS:
 HOUSING: POLYAMIDE 6, UL94V-2.
 COLOR: NATURAL.
 TUBULAR CONTACT: BRASS, TIN PLATED.
 SCREW: M3, STEEL, ZINC PLATED W/ NON-HEXAVALENT CHROMATE (CHROME III).

MECHANICAL:
 PITCH: 8.0mm
 WIRE STRIP LENGTH: 5mm
 MIN. WIRE PULL OUT: 75 LBS.
 RECOMMENDED TIGHTENING TORQUE: 5 IN-LB.

ELECTRICAL PROPERTIES:
 MAXIMUM CURRENT: 30A
 OPERATING VOLTAGE: 250V
 WIRE RANGE: 12-24 AWG
 DIELECTRIC WITHSTAND: 3000V

ENVIRONMENTAL PROPERTIES:
 CONTINUOUS WORKING TEMP: -35°C TO +100°C



80.0	94.0±1.0	12	TSB230 12	1-1776294-2
72.0	86.0±0.7	11	TSB230 11	-
64.0	78.0±0.7	10	TSB230 10	1-1776294-0
56.0	70.0±0.7	9	TSB230 09	1776294-9
48.0	62.0±0.7	8	TSB230 08	1776294-8
40.0	54.0±0.7	7	TSB230 07	-
32.0	46.0±0.7	6	TSB230 06	1776294-6
24.0	38.0±0.5	5	TSB230 05	1776294-5
16.0	30.0±0.5	4	TSB230 04	1776294-4
8.0	22.0±0.5	3	TSB230 03	1776294-3
-	14.0±0.5	2	TSB230 02	1776294-2
-	6.0±0.3	1	TSB230 01	1776294-1
DIM B	DIM A	NO. OF POS.	CATALOG NUMBER	PART NUMBER

THIS DRAWING IS A CONTROLLED DOCUMENT.		DWN S SCHLEGEL 3/18/05	Tyco Electronics Corporation Harrisburg, Pa 17105-3608	
DIMENSIONS: mm		CHK C RICHARD 3/18/05		
TOLERANCES UNLESS OTHERWISE SPECIFIED:		APVD C RICHARD 3/18/05	NAME 8.0mm PITCH, 30A, W/ TUNNEL CONNECTION EUROPA TERMINAL BLOCK	
0 PLC ± - 1 PLC ± 0.3 2 PLC ± 0.25 3 PLC ± - 4 PLC ± - ANGLES ± -		PRODUCT SPEC -	RESTRICTED TO -	
MATERIAL -		APPLICATION SPEC -	SIZE A3	CAGE CODE 00779
FINISH -		WEIGHT -	DRAWING NO C-1776294	
CUSTOMER DRAWING			SCALE NTS	SHEET 1 OF 1
			REV 01	

X-ON Electronics

Largest Supplier of Electrical and Electronic Components

Click to view similar products for [Barrier Terminal Blocks](#) category:

Click to view products by [TE Connectivity](#) manufacturer:

Other Similar products are found below :

[CTA-0103](#) [6PCR-02-008](#) [6PCR-05-008](#) [6PCR-08-008](#) [6PCR-21-006](#) [6PCV-06-008](#) [6PCV-10-009](#) [6PCV-15-008](#) [6STR-06-006](#) [6STR-08-006](#) [6STR-12-008](#) [6STR-14-008](#) [6STR-16-008](#) [6STR-17-008](#) [6STR-21-008](#) [6STR-25-008](#) [6STR-27-008](#) [6STV-03-006](#) [6STV-03-008](#) [6STV-04-006](#) [6STV-10-006](#) [6WWR-03](#) [6WWV-11-008](#) [6WWV-12-008](#) [6WWV-16-008](#) [7-1546701-0](#) [72212603](#) [72503-C](#) [73203](#) [76007](#) [7606-602LF](#) [77010-50](#) [796985-3](#) [796988-4](#) [7C1N08](#) [8-1437402-5](#) [8-1437402-7](#) [8-1546158-0](#) [870505](#) [870903](#) [8PCR-06-006](#) [8PCV-02-008](#) [8PCV-04-008](#) [8PCV-05-008](#) [8PCV-09-006](#) [8PCV-15-006](#) [8PCV-16-006](#) [8PCV-17-006](#) [8QCR-03-008](#) [8STV-04-006](#)