

THIS DRAWING IS UNPUBLISHED. RELEASED FOR PUBLICATION  
 © COPYRIGHT BY TYCO ELECTRONICS CORPORATION. ALL RIGHTS RESERVED.

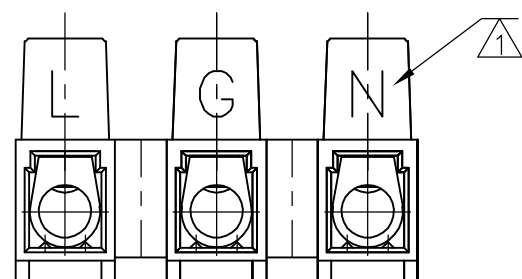
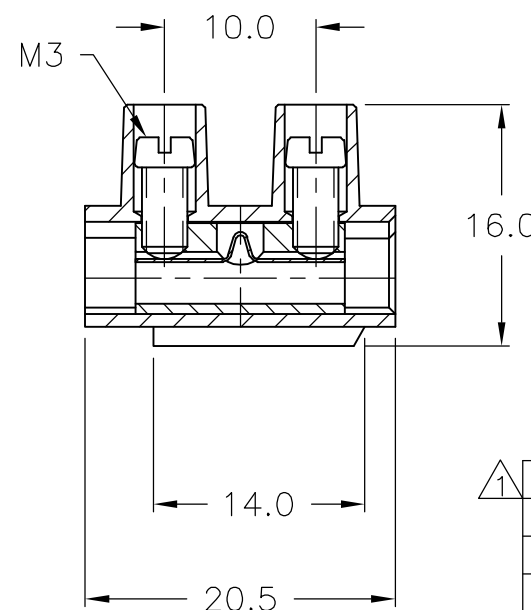
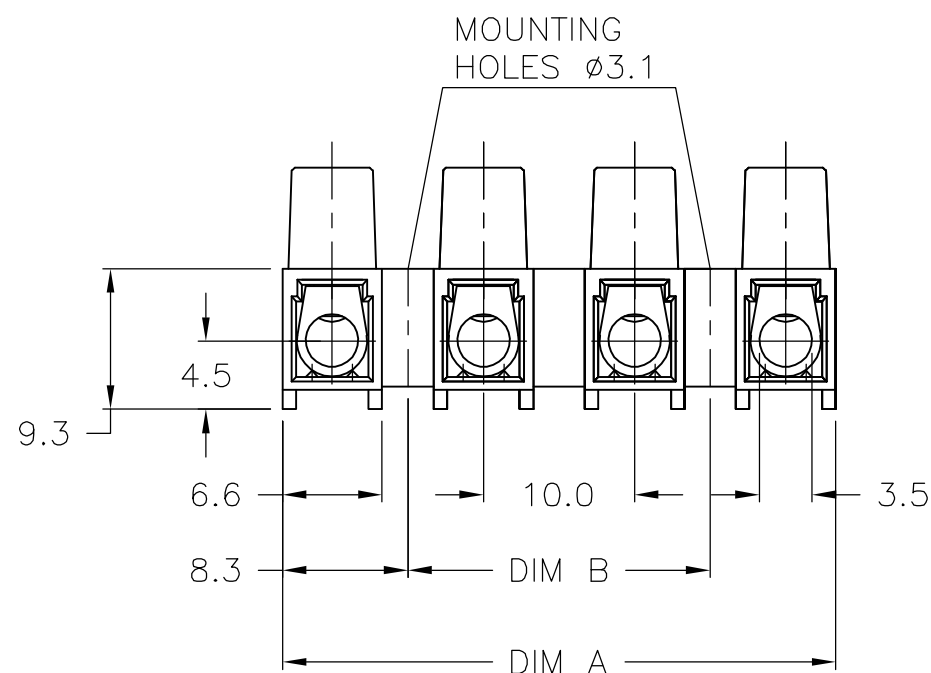
LOC	DIST	REVISIONS			
P	LTR	DESCRIPTION	DATE	DWN	APVD
FT	0	01	REVISED PER ECO-06-5526	3/10/06	SS CR

**MATERIAL:**  
 HOUSING: POLYAMIDE 6/6 UL94V-0.  
 COLOR: BROWN  
 TERMINAL: BRASS, TIN PLATED  
 SCREWS: STEEL, ZINC PLATED W/ NON-HEXAVALENT CHROMATE (CHROME III).  
 WIRE PROTECTOR: STAINLESS STEEL

**ELECTRICAL:**  
 CURRENT RATING: 30A  
 OPERATING VOLTAGE: 250V  
 WIRE RANGE: 12-24 AWG

**ENVIRONMENTAL:**  
 CONTINUOUS WORKING TEMP: -50°C TO +160°C

△ PART TO BE PERMANENTLY MARKED AS SHOWN, BLACK LETTERING.



1-1776298-3

△ 10.0	26.6	3	-	1-1776298-3
100.0	116.6	12	TSB500 1231DS HT	1-1776298-2
90.0	106.6	11	TSB500 1131DS HT	1-1776298-1
80.0	96.6	10	TSB500 1031DS HT	1-1776298-0
70.0	86.6	9	TSB500 0931DS HT	1776298-9
60.0	76.6	8	TSB500 0831DS HT	1776298-8
50.0	66.6	7	TSB500 0731DS HT	1776298-7
40.0	56.6	6	TSB500 0631DS HT	1776298-6
30.0	46.6	5	TSB500 0531DS HT	1776298-5
20.0	36.6	4	TSB500 0431DS HT	1776298-4
10.0	26.6	3	TSB500 0331DS HT	1776298-3
-	16.6	2	TSB500 0231DS HT	1776298-2
-	6.6	1	TSB500 0131DS HT	1776298-1
DIM B	DIM A	NO. OF POS	CATALOG PART NO.	PART NO.

THIS DRAWING IS A CONTROLLED DOCUMENT.		DWN S SCHLEGEL 3/18/05	Tyco Electronics Corporation Harrisburg, PA 17105-3608			
DIMENSIONS: mm		CHK C RICHARD 3/18/05				
TOLERANCES UNLESS OTHERWISE SPECIFIED:		APVD C RICHARD 3/18/05	NAME			
0 PLC ± - 1 PLC ± 0.3 2 PLC ± 0.25 3 PLC ± - 4 PLC ± - ANGLES ± 2°		PRODUCT SPEC	EUROPA TERMINAL BLOCK W/ WIRE PROTECTOR MOUNTING HOLES 3.1 DIA, 10.0mm PITCH, HIGH TEMP			
MATERIAL		APPLICATION SPEC	SIZE	CAGE CODE	DRAWING NO	RESTRICTED TO
FINISH		WEIGHT	A3 00779 C-1776298			
CUSTOMER DRAWING			SCALE NTS	SHEET 1 OF 1	REV 01	

## X-ON Electronics

Largest Supplier of Electrical and Electronic Components

*Click to view similar products for [Barrier Terminal Blocks](#) category:*

*Click to view products by [TE Connectivity](#) manufacturer:*

Other Similar products are found below :

[CTA-0103](#) [6PCR-02-008](#) [6PCR-05-008](#) [6PCR-08-008](#) [6PCR-21-006](#) [6PCV-06-008](#) [6PCV-10-009](#) [6PCV-15-008](#) [6STR-06-006](#) [6STR-08-006](#) [6STR-12-008](#) [6STR-14-008](#) [6STR-16-008](#) [6STR-17-008](#) [6STR-21-008](#) [6STR-25-008](#) [6STR-27-008](#) [6STV-03-006](#) [6STV-03-008](#) [6STV-04-006](#) [6STV-10-006](#) [6WWR-03](#) [6WWV-11-008](#) [6WWV-12-008](#) [6WWV-16-008](#) [7-1546701-0](#) [72212603](#) [72503-C](#) [73203](#) [76007](#) [7606-602LF](#) [77010-50](#) [796985-3](#) [796988-4](#) [7C1N08](#) [8-1437402-5](#) [8-1437402-7](#) [8-1546158-0](#) [870505](#) [870903](#) [8PCR-06-006](#) [8PCV-02-008](#) [8PCV-04-008](#) [8PCV-05-008](#) [8PCV-09-006](#) [8PCV-15-006](#) [8PCV-16-006](#) [8PCV-17-006](#) [8QCR-03-008](#) [8STV-04-006](#)