

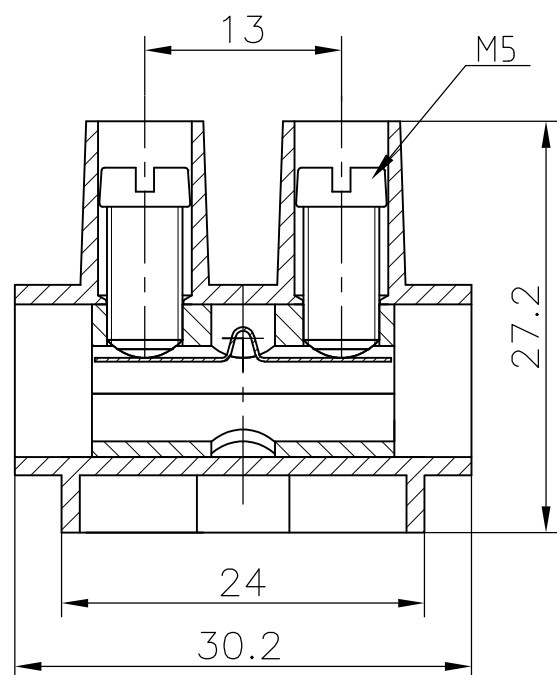
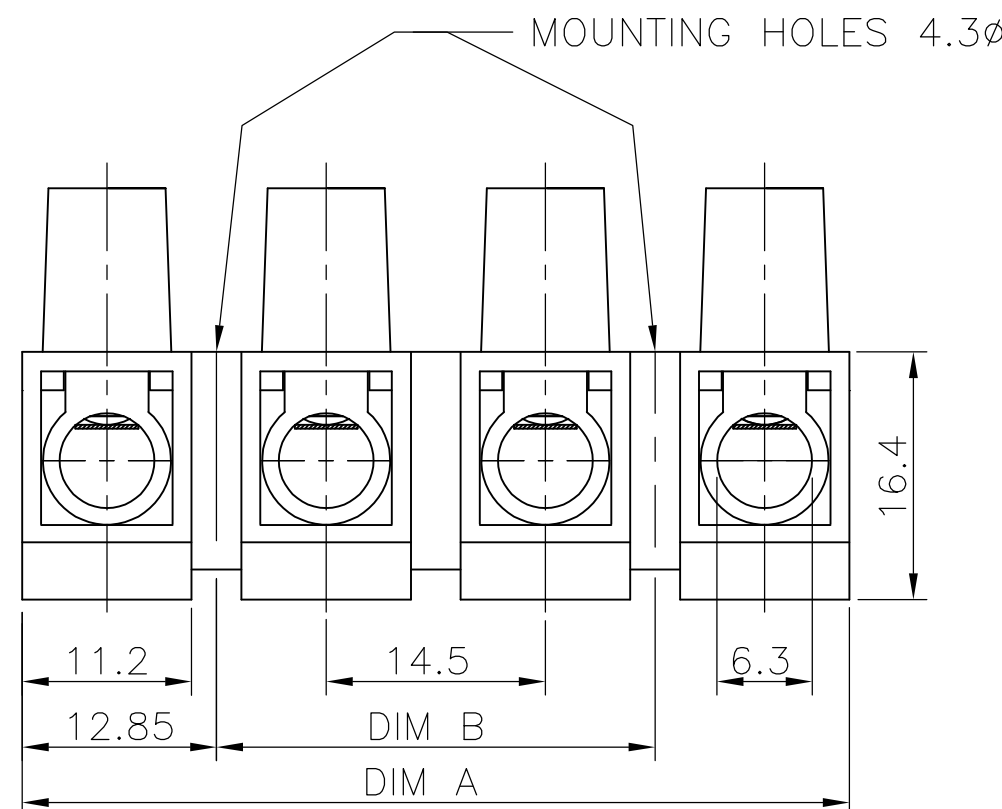
THIS DRAWING IS UNPUBLISHED. RELEASED FOR PUBLICATION
 © COPYRIGHT - By - ALL RIGHTS RESERVED.

LOC	DIST	REVISIONS			
P	LTR	DESCRIPTION	DATE	DWN	APVD
FT	0	A	REVISED PER ECO-11-007502	20APR11	HMR CR

MATERIAL:
 HOUSING: POLYIMIDE 6 UL94V-2.
 COLOR: NATURAL (OFF WHITE).
 TUBULAR CONTACT: BRASS, TIN PLATED.
 SCREW: SEE TABLE
 WIRE PROTECTOR: STAINLESS STEEL

ELECTRICAL:
 CURRENT RATING: 65A, 600V.
 WIRE RANGE: 6-14 UL AND 6-22 AWG FOR (CSA)

CONTINUOUS WORKING TEMP.: 100°C MAX.



PRELIMIANRY					
	NICKEL PLATED BRASS	14.5	40.2	TSB200003KDS	2-1776315-3
	NICKEL PLATED BRASS	-	25.7	TSB200002KDS	2-1776315-2
	TRIVALENT ZINC PLATED STEEL	145	170.7	TSB200012KDS	1-1776315-2
	TRIVALENT ZINC PLATED STEEL	130.5	156.2	TSB200011KDS	1-1776315-1
	TRIVALENT ZINC PLATED STEEL	116	141.7	TSB200010KDS	1-1776315-0
	TRIVALENT ZINC PLATED STEEL	101.5	127.2	TSB200009KDS	1776315-9
	TRIVALENT ZINC PLATED STEEL	87	112.7	TSB200008KDS	1776315-8
	TRIVALENT ZINC PLATED STEEL	72.5	98.2	TSB200007KDS	1776315-7
	TRIVALENT ZINC PLATED STEEL	58	83.7	TSB200006KDS	1776315-6
	TRIVALENT ZINC PLATED STEEL	43.5	69.2	TSB200005KDS	1776315-5
	TRIVALENT ZINC PLATED STEEL	29	54.7	TSB200004KDS	1776315-4
	TRIVALENT ZINC PLATED STEEL	14.5	40.2	TSB200003KDS	1776315-3
	TRIVALENT ZINC PLATED STEEL	-	25.7	TSB200002KDS	1776315-2
	TRIVALENT ZINC PLATED STEEL	-	11.2	TSB200001KDS	1776315-1
	SCREW MATERIAL	DIM B	DIM A	T & B PART NUMBER	TE PART NUMBER

THIS DRAWING IS A CONTROLLED DOCUMENT.		DWN S SCHLEGEL 3/21/05	STE TE Connectivity		
DIMENSIONS: mm		CHK C RICHARD 3/21/05			
TOLERANCES UNLESS OTHERWISE SPECIFIED:		APVD C RICHARD 3/21/05	NAME 14.5MM PITCH WIRE PROTECTOR 65A HIGH VOLTAGE VERSION		
0 PLC ± -		PRODUCT SPEC -	APPLICATION SPEC -		
1 PLC ± 0.3		WEIGHT -	SIZE A3	CAGE CODE 00779	DRAWING NO C-1776315
2 PLC ± 0.25		RESTRICTED TO -			
3 PLC ± -		CUSTOMER DRAWING			
4 PLC ± -		SCALE NTS			
ANGLES ± 2'		SHEET 1 OF 1			
MATERIAL -		REV A			
FINISH -					

X-ON Electronics

Largest Supplier of Electrical and Electronic Components

Click to view similar products for [Barrier Terminal Blocks](#) category:

Click to view products by [TE Connectivity](#) manufacturer:

Other Similar products are found below :

[CTA-0103](#) [6PCR-02-008](#) [6PCR-05-008](#) [6PCR-08-008](#) [6PCR-21-006](#) [6PCV-06-008](#) [6PCV-10-009](#) [6PCV-15-008](#) [6STR-06-006](#) [6STR-08-006](#) [6STR-12-008](#) [6STR-14-008](#) [6STR-16-008](#) [6STR-17-008](#) [6STR-21-008](#) [6STR-25-008](#) [6STR-27-008](#) [6STV-03-006](#) [6STV-03-008](#) [6STV-04-006](#) [6STV-10-006](#) [6WWR-03](#) [6WWV-11-008](#) [6WWV-12-008](#) [6WWV-16-008](#) [7-1546701-0](#) [72212603](#) [72503-C](#) [73203](#) [76007](#) [7606-602LF](#) [77010-50](#) [796985-3](#) [796988-4](#) [7C1N08](#) [8-1437402-5](#) [8-1437402-7](#) [8-1546158-0](#) [870505](#) [870903](#) [8PCR-06-006](#) [8PCV-02-008](#) [8PCV-04-008](#) [8PCV-05-008](#) [8PCV-09-006](#) [8PCV-15-006](#) [8PCV-16-006](#) [8PCV-17-006](#) [8QCR-03-008](#) [8STV-04-006](#)