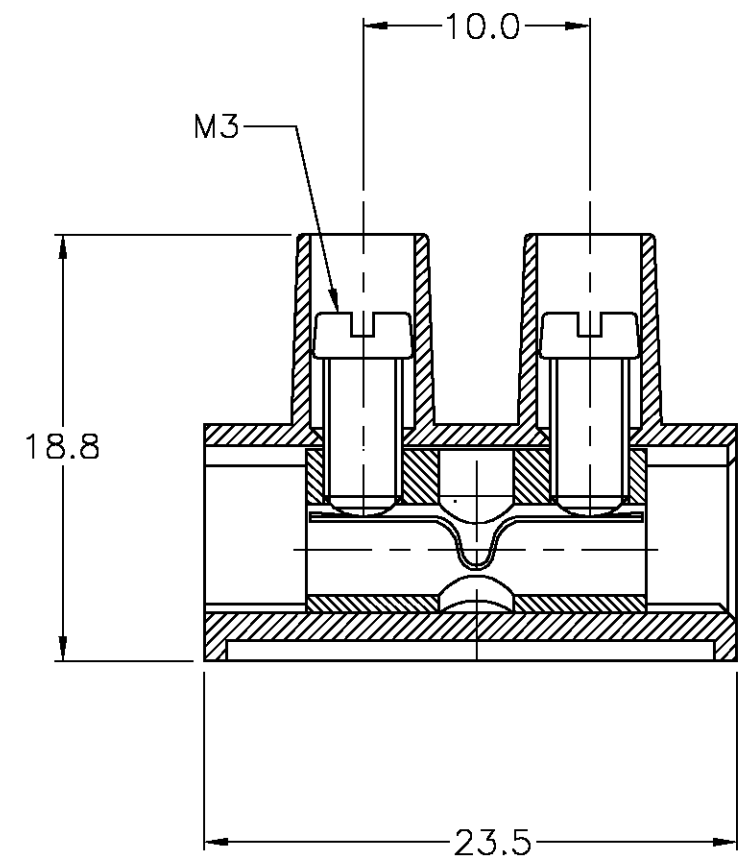
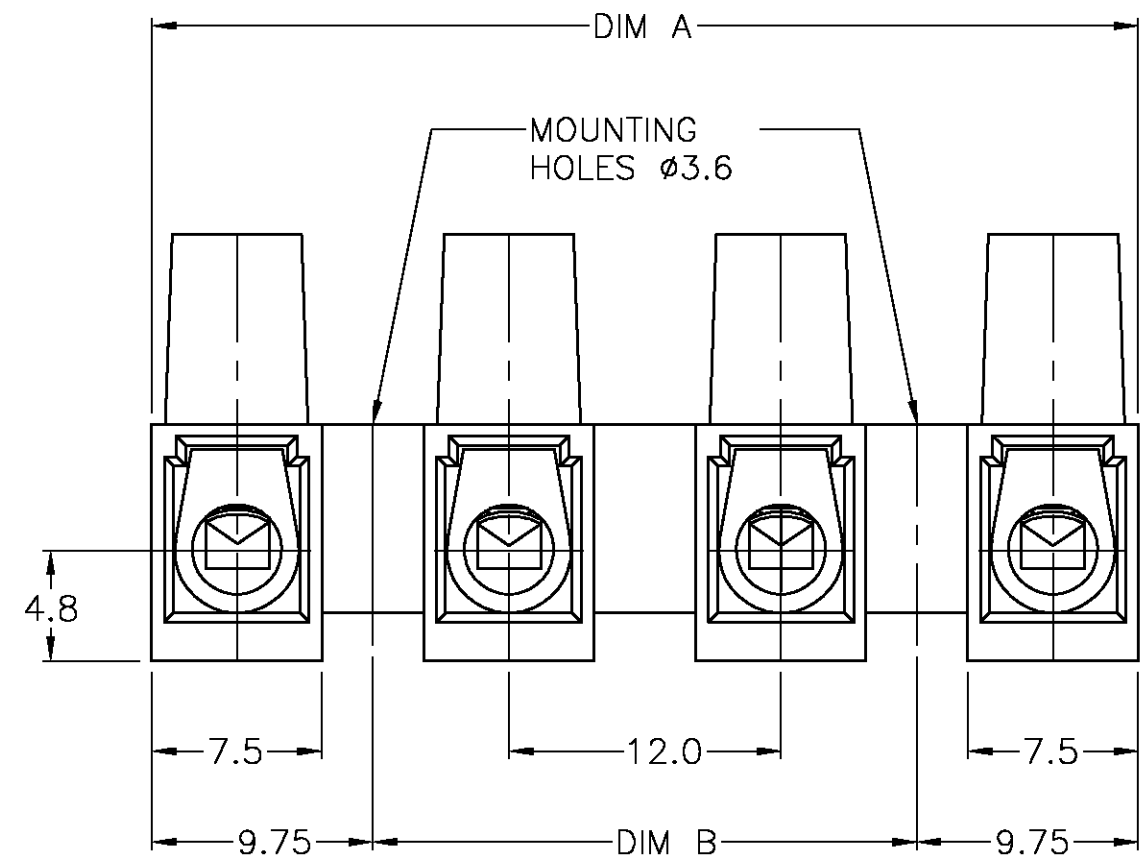


THIS DRAWING IS UNPUBLISHED. RELEASED FOR PUBLICATION
 © COPYRIGHT BY TYCO ELECTRONICS CORPORATION. ALL RIGHTS RESERVED.

LOC	DIST	REVISIONS			
P	LTR	DESCRIPTION	DATE	DWN	APVD
FT	0	0	REVISED PER 0G3B-1020-04	3/21/05	SS CR

MATERIALS:
 HOUSING: POLYAMIDE 6 UL94V-2
 COLOR: NATURAL (OFF WHITE).
 TUBULAR CONTACT: BRASS, TIN PLATED.
 SCREW: M3, STEEL, ZINC PLATED W/ NON-HEXAVALENT CHROMATE (CHROME III).
 WIRE PROTECTOR: STAINLESS STEEL.

ELECTRICAL:
 CURRENT RATING: 40A, 250V.
 WIRE RANGE: 10-22 AWG.



120	139.5	TSB1000 12MDS	1-1776319-2
108	127.5	TSB1000 11MDS	1-1776319-1
96	115.5	TSB1000 10MDS	1-1776319-0
84	103.5	TSB1000 09MDS	1776319-9
72	91.5	TSB1000 08MDS	1776319-8
60	79.5	TSB1000 07MDS	1776319-7
48	67.5	TSB1000 06MDS	1776319-6
36	55.5	TSB1000 05MDS	1776319-5
24	43.5	TSB1000 04MDS	1776319-4
12	31.5	TSB1000 03MDS	1776319-3
-	19.5	TSB1000 02MDS	1776319-2
-	7.5	TSB1000 01MDS	1776319-1
DIM B	DIM A	T & B PART NUMBER	TYCO PART NUMBER

THIS DRAWING IS A CONTROLLED DOCUMENT.		DWN S SCHLEGEL 3/21/05	Tyco Electronics Corporation Harrisburg, Pa 17105-3608	
DIMENSIONS: mm		CHK C RICHARD 3/21/05		
TOLERANCES UNLESS OTHERWISE SPECIFIED:		APVD C RICHARD 3/21/05	NAME EUROPA TERMINAL BLOCK W/WIRE STOP MOUNTING HOLES Ø 3.6, 12mm PITCH	
0 PLC ± - 1 PLC ± .3 2 PLC ± .25 3 PLC ± - 4 PLC ± - ANGLES ± 2		PRODUCT SPEC -	RESTRICTED TO -	
MATERIAL -		FINISH -	APPLICATION SPEC -	SIZE A3
		WEIGHT -	CAGE CODE 00779	DRAWING NO C-1776319
CUSTOMER DRAWING			SCALE NTS	SHEET 1 OF 1
			REV 0	

X-ON Electronics

Largest Supplier of Electrical and Electronic Components

Click to view similar products for [Barrier Terminal Blocks](#) category:

Click to view products by [TE Connectivity](#) manufacturer:

Other Similar products are found below :

[CTA-0103](#) [6PCR-02-008](#) [6PCR-05-008](#) [6PCR-08-008](#) [6PCR-21-006](#) [6PCV-06-008](#) [6PCV-10-009](#) [6PCV-15-008](#) [6STR-06-006](#) [6STR-08-006](#) [6STR-12-008](#) [6STR-14-008](#) [6STR-16-008](#) [6STR-17-008](#) [6STR-21-008](#) [6STR-25-008](#) [6STR-27-008](#) [6STV-03-006](#) [6STV-03-008](#) [6STV-04-006](#) [6STV-10-006](#) [6WWR-03](#) [6WWV-11-008](#) [6WWV-12-008](#) [6WWV-16-008](#) [7-1546701-0](#) [72212603](#) [72503-C](#) [73203](#) [76007](#) [7606-602LF](#) [77010-50](#) [796985-3](#) [796988-4](#) [7C1N08](#) [8-1437402-5](#) [8-1437402-7](#) [8-1546158-0](#) [870505](#) [870903](#) [8PCR-06-006](#) [8PCV-02-008](#) [8PCV-04-008](#) [8PCV-05-008](#) [8PCV-09-006](#) [8PCV-15-006](#) [8PCV-16-006](#) [8PCV-17-006](#) [8QCR-03-008](#) [8STV-04-006](#)