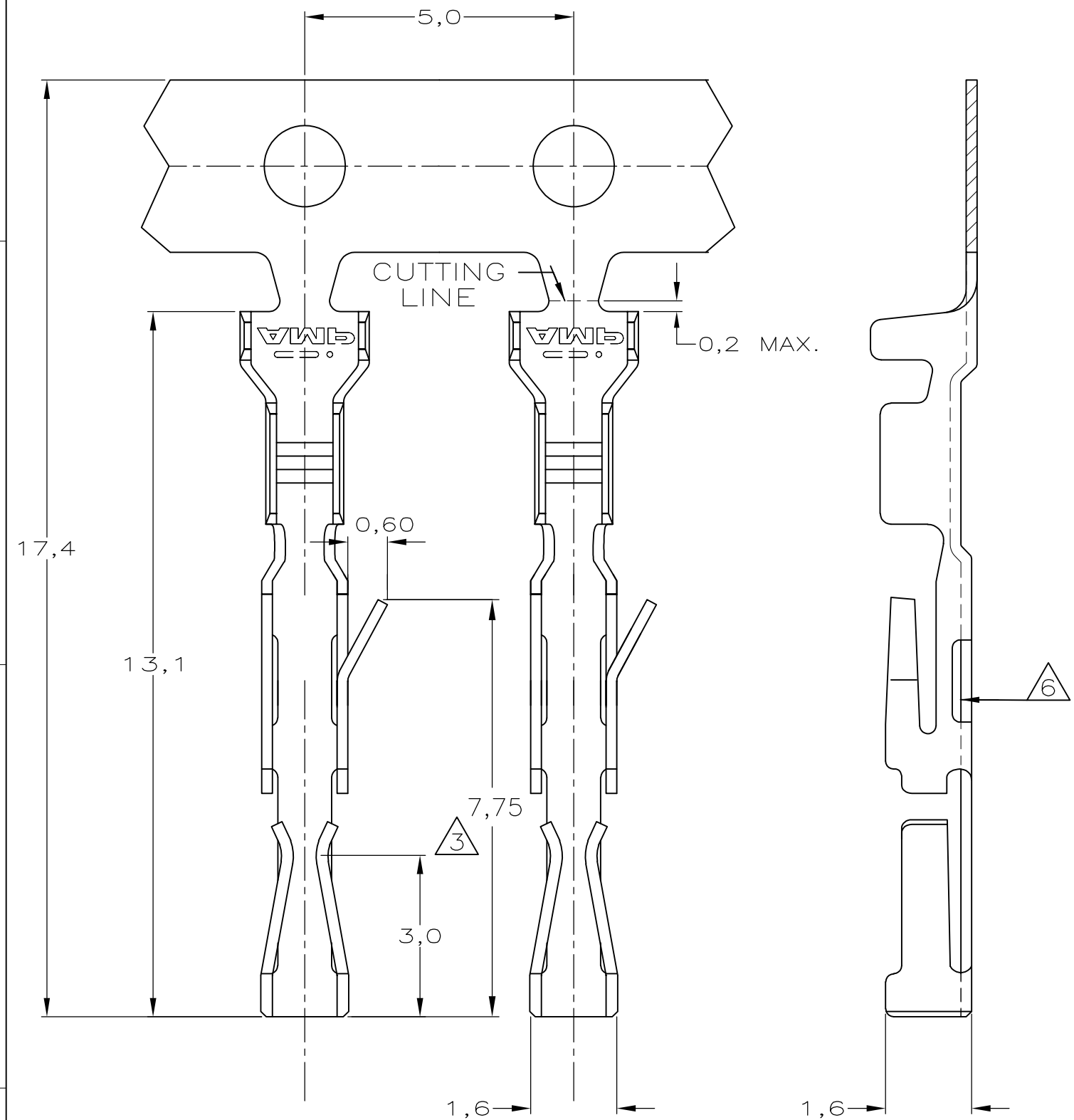


THIS DRAWING IS UNPUBLISHED.
 DIFFUSION RESTREINTE AMP
 © COPYRIGHT - By -
 ALL RIGHTS RESERVED.
 TOUS DROITS RESERVES

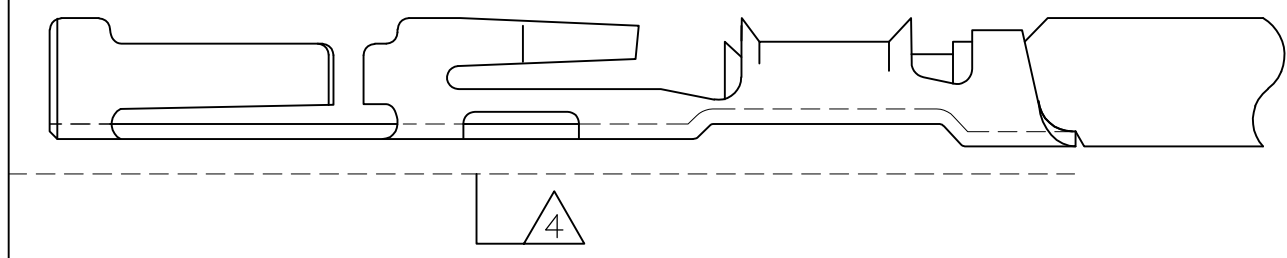
LOC	DIST	REVISIONS			
P	LTR REV	DESCRIPTION MODIFICATIONS	DATE	DWN DESS.	APVD APP.
F	7	F1	REVISED PER ECO-11-005150	21MAR11	RK HMR



NOTES:

- ① CONTACT MATERIAL: PHOSPHORBRONZE
- ② PLATING: UNDERCOATING 1,3 μm Ni OVERALL
 AT CONTACTPLACE 0,8μm Au
 AT CRIMPBARRELS 2,5μm Sn
- ③ CONTACT POINT
- ④ BOTTOM OF CONTACT TO BE STRAIGHT AFTER CRIMPING OF WIRE
- 5 WIRE RANGE: 0,08-0,22mm²
 INSULATION RANGE: 0,80-1,50 DIA.
- ⑥ OPTIONAL
- 7 THE CONTACT MEETS THE REQUIREMENT OF INTERNATIONAL STANDARD IEC 603-8

LOOSE PIECE	②	①	182734-3
STRIP	②	①	188746-1
CONFIGURATION	FINISH	MATERIAL	PARTNUMBER



THIS DRAWING IS A CONTROLLED DOCUMENT.
 CE PLAN EST UN DOCUMENT CONTROLE

DIMENSIONS: mm

TOLERANCES UNLESS OTHERWISE SPECIFIED: TOLERANCES NON SPECIFIEES (SUIV NB DE DECIMALES):
 0-PLC/DEC ± -
 1-PLC/DEC ± 0.3
 2-PLC/DEC ± -
 3-PLC/DEC ± -
 4-PLC/DEC ± -
 ANGLES ± 1

MATERIAL MATIERE: -
 FINISH FINITION: -

DWN/DESSINE: JJ DESPRETZ 22-NOV-04
 CHK/VERIFIE: T CORRIOU
 APVD/APPROUVE: Y PETRONIN

PRODUCT SPEC SPEC. PRODUIT: -
 APPLICATION SPEC SPEC. APPLICATION: -

WEIGHT MASSE APPROX.: -

UNIQUEMENT POUR REFERENCE: CUSTOMER DRAWING/PLAN CLIENT

SCALE ECHELLE: 1:1

SHEET FEUILLE: 1 OF DE 1

REV F1

RESTRICTED TO: -

STE TE Connectivity

HE 1302 CONNECTOR (GOLD VERSION)
 CRIMP CONTACT (AWG 28-24)

SIZE FORMAT: A3
 CAGE CODE: 00779
 DRAWING NO: C-188746

X-ON Electronics

Largest Supplier of Electrical and Electronic Components

Click to view similar products for [Headers & Wire Housings](#) category:

Click to view products by [TE Connectivity](#) manufacturer:

Other Similar products are found below :

[95000-104TRLF](#) [10135584-644402LF](#) [DF62W-EP2022PCA](#) [95000-106TRLF](#) [DF62W-2022SCA](#) [DF62W-EP2022PC](#) [2203348](#) [DF62W-2022SC](#) [1084018](#) [1029039](#) [1084017](#) [802-10-012-10-002000](#) [1112640](#) [1112639](#) [000-34000](#) [0009482033](#) [0009507031](#) [57102-S06-03LF](#) [57202-S52-04LF](#) [PCN6-15S-2.5E](#) [0039019024](#) [58102-G61-06LF](#) [582553-1](#) [0009485154](#) [0009508121](#) [0022285053](#) [0050291907](#) [018731A](#) [LY20-4P-DT1-P1E-BR](#) [02.125.8002.8](#) [60101931](#) [60598-1 \(Cut Strip\)](#) [M1625-3R/100](#) [61062-3](#) [61082-181009](#) [636-1427](#) [638009-1](#) [641938-9](#) [641991-4](#) [644168-1](#) [647662-1](#) [65039-019ELF](#) [65817-002LF](#) [65817-015LF](#) [65863-015LF](#) [66207-023LF](#) [67016-026LF](#) [67046-001LF](#) [67095-007LF](#) [67230-005LF](#)