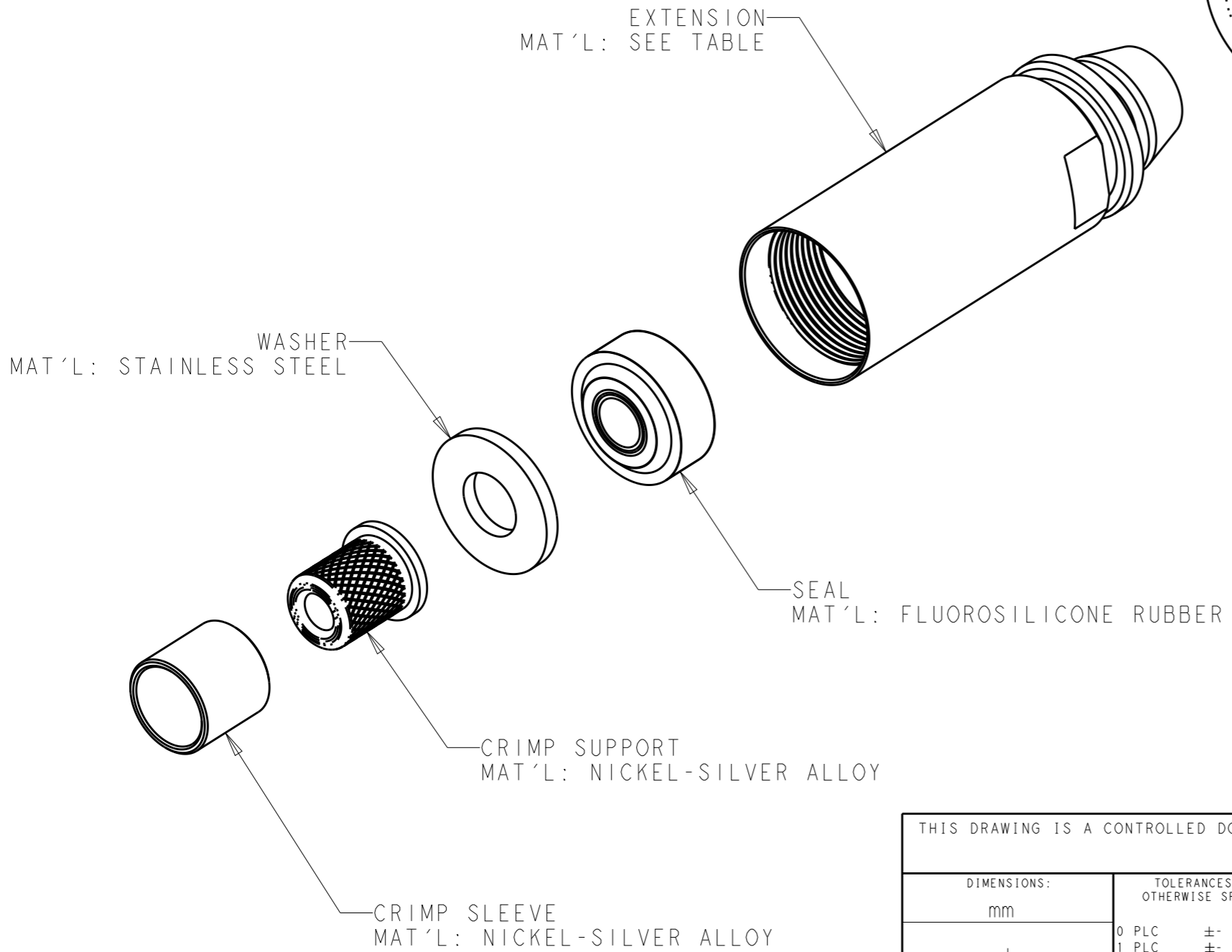


THIS DRAWING IS UNPUBLISHED. RELEASED FOR PUBLICATION 20
 © COPYRIGHT 20 BY - ALL RIGHTS RESERVED.

REVISIONS				
P	LTR	DESCRIPTION	DATE	APVD
	C	ECR-15-008603	23JUN2015	KG DW

I. PACKAGED LOOSE PIECE.



FLUROSILICONE RUBBER	NICKEL ALUMINUM BRONZE	6.7mm	1-1828700-6
		6.2mm	1-1828700-5
		5.6mm	1-1828700-4
FLUROSILICONE RUBBER	ALUMINUM ALLOY	5.1mm	1-1828700-3
		6.7mm	1-1828700-2
		6.2mm	1-1828700-1
EPDM RUBBER	NICKEL ALUMINUM BRONZE	5.6mm	1-1828700-0
		5.1mm	1828700-9
		6.7mm	1828700-8
EPDM RUBBER	ALUMINUM ALLOY	6.2mm	1828700-7
		5.6mm	1828700-6
		5.1mm	1828700-5
BOOT MATERIAL	EXTENSION MATERIAL	6.7mm	1828700-4
		6.2mm	1828700-3
		5.6mm	1828700-2
		5.1mm	1828700-1
		MAXIMUM CABLE SIZE	PART NUMBER

THIS DRAWING IS A CONTROLLED DOCUMENT.		DWN K. GLATFELTER 17 JUN 2005	TE Connectivity	
DIMENSIONS: mm		CHK D. WERTMAN 24 JUN 2005		
TOLERANCES UNLESS OTHERWISE SPECIFIED:		APVD D. WERTMAN 24 JUN 2005	NAME CABLE ADAPTER KIT, PLUG PRO BEAM MINI	
0 PLC ±- 1 PLC ±- 2 PLC ±- 3 PLC ±- 4 PLC ±- ANGLES ±-		PRODUCT SPEC -	RESTRICTED TO -	
MATERIAL AS LISTED		APPLICATION SPEC -	SIZE A3	CAGE CODE 00779
FINISH HARD ANODIZE (AL ONLY)		WEIGHT -	DRAWING NO C-1828700	REV C
Customer Drawing			SCALE 2:1	SHEET 1 OF 1

X-ON Electronics

Largest Supplier of Electrical and Electronic Components

Click to view similar products for [Fiber Optic Connectors](#) category:

Click to view products by [TE Connectivity](#) manufacturer:

Other Similar products are found below :

[0004700001](#) [6100-R](#) [6313](#) [F709034706](#) [F709722200](#) [F709730000](#) [F718183204](#) [F727403500](#) [F727752800](#) [FCXO-12-3BY](#) [FO-SCREW\(M2X6\)](#) [9440F20-27S-190](#) [944-120-6001](#) [944-125-6003](#) [9441F10SL-3P](#) [953-101-5310-P](#) [954-101-57202B](#) [A0270169](#) [12-9122](#) [12-5702](#) [143025NC](#) [DSAKB](#) [AX101713](#) [AX102420](#) [AX103923](#) [AX104193](#) [AX104230](#) [AX104562](#) [AX104683](#) [AX105203-B25](#) [AX105205-S1](#) [EHSC2M](#) [17-300800](#) [180-044NF06-11-2S](#) [180-044NF06-17-8P](#) [180-044NF07-11-2S](#) [181-011-126](#) [181-011-S](#) [181-057-126](#) [BT34IW](#) [HRFCP-HSCJ-1\(61\)](#) [HRFC-R2\(40\)](#) [NKSOPBUY](#) [20500002116](#) [2064996-1](#) [20800001065](#) [2170](#) [9132](#) [2612](#) [2620](#)