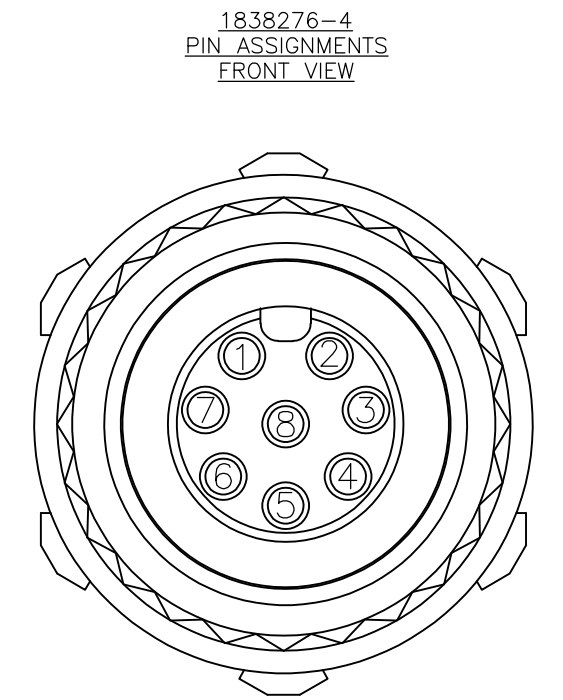
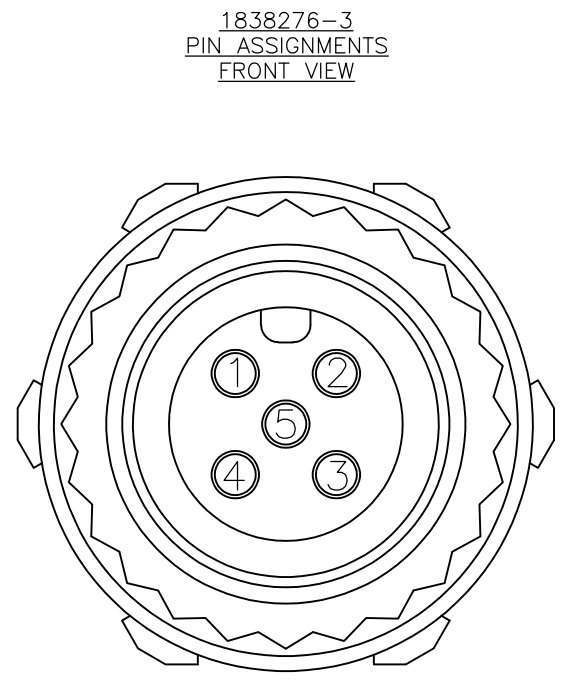
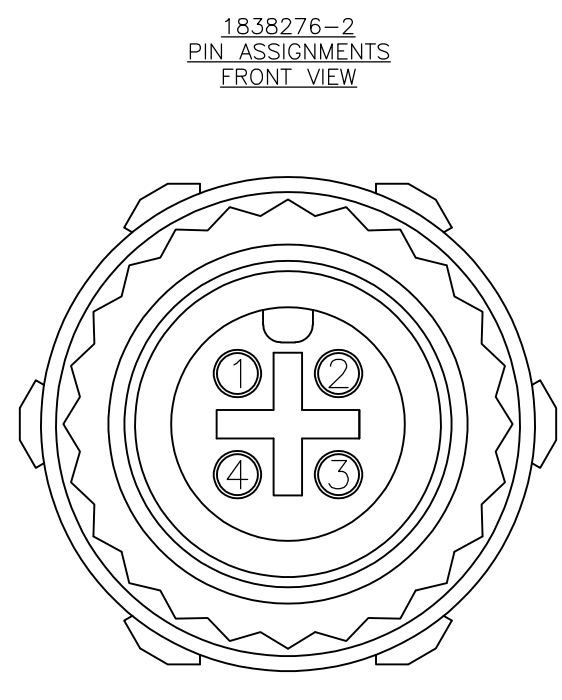
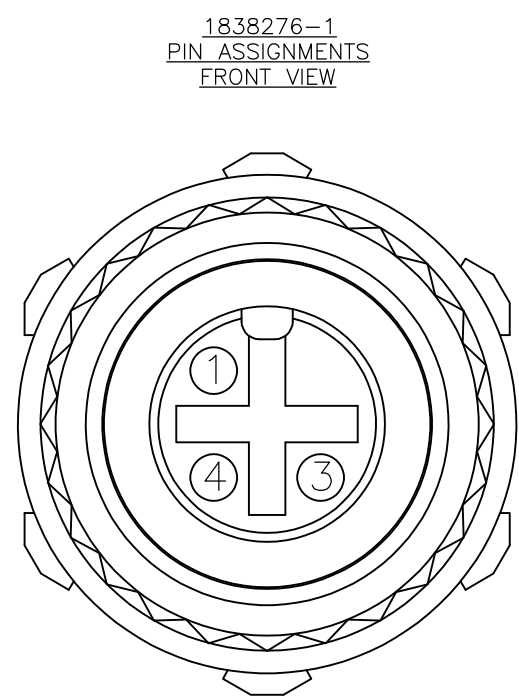
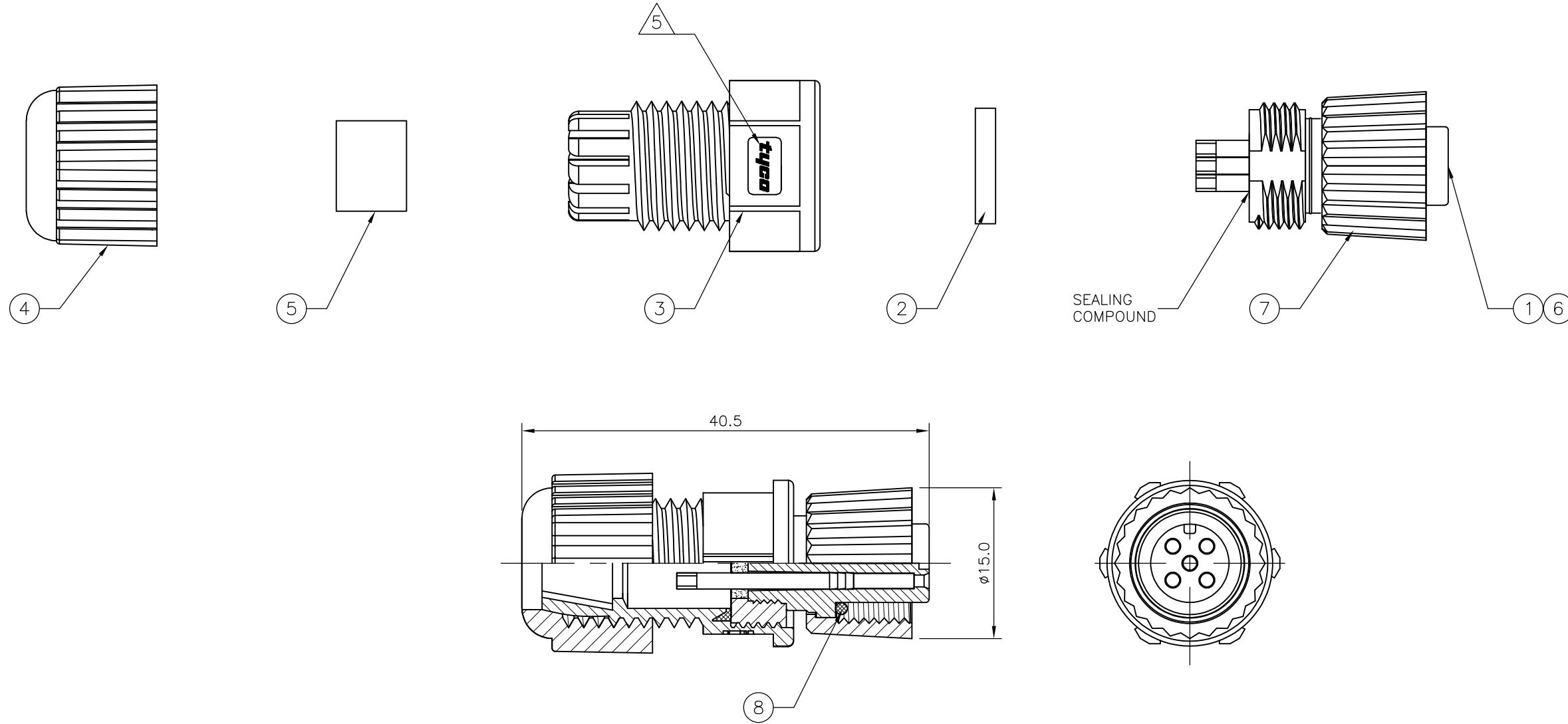


THIS DRAWING IS UNPUBLISHED. RELEASED FOR PUBLICATION  
 © COPYRIGHT - By - ALL RIGHTS RESERVED.

LOC	DIST	REVISIONS					
		P	LTR	DESCRIPTION	DATE	DWN	APVD
E	B			B1 REVISED PER ECO-11-005150	21MAR11	RK	HMR

- NOTES:**
- ELECTRICAL DATA: CONTACT RESISTANCE: 10 mOhm MAX  
 INSULATION RESISTANCE: 100 MOhm MIN at 500VDC  
 CURRENT RATING: 5 AMPS (FOR 3, 4 AND 5 POSITIONS) AND 2 AMPS (FOR 8 POSITIONS)  
 BREAKDOWN VOLTAGE: 500 VAC MIN PER MINUTE
  - ENVIRONMENTAL: OPERATING TEMPERATURE: -25°C TO +90°C  
 SEALING REQUIREMENTS: IP67
  - PACKAGING: 107-3334
  - SEAL FOR CABLE OD:  $\phi 4.5\text{mm}$  -  $\phi 6.5\text{mm}$
  - FOR TECHNICAL DATA REFER TO YOUR LOCAL TE CONNECTIVITY SALES OFFICE.
  - ALL DIMENSIONS ARE FOR NOMINAL REFERENCE ONLY UNLESS OTHERWISE STATED.

ITEM	DESCRIPTION	MATERIAL	FINISH/COLOUR	QUANTITY / ITEM		
				-1	-2	-3
1	CONNECTOR HOUSING	GF NYLON	BLACK	1	1	1
2	GASKET	SILICONE	BLACK	1	1	1
3	CONNECTOR BODY	GF NYLON	BLACK	1	1	1
4	SEALING NUT	GF NYLON	BLACK	1	1	1
5	SEAL	EPDM	BLACK	1	1	1
6	SOCKET CONTACT	BRASS	0.15 $\mu\text{m}$ GOLD OVER NICKEL	3	4	5
7	SCREW NUT	GF NYLON	BLACK	1	1	1
8	'O' RING	VITON	GREEN	1	1	1



M12 PLASTIC FIELD SERVICEABLE CONNECTOR, FEMALE SOCKET, SOLDER TYPE	8	1838276-4
M12 PLASTIC FIELD SERVICEABLE CONNECTOR, FEMALE SOCKET, SOLDER TYPE	5	1838276-3
M12 PLASTIC FIELD SERVICEABLE CONNECTOR, FEMALE SOCKET, SOLDER TYPE	4	1838276-2
M12 PLASTIC FIELD SERVICEABLE CONNECTOR, FEMALE SOCKET, SOLDER TYPE	3	1838276-1

THIS DRAWING IS A CONTROLLED DOCUMENT.

DIMENSIONS: mm	TOLERANCES UNLESS OTHERWISE SPECIFIED	DWN: A. Morey 14MAR06	CHK: F. Wheeler-King 12APR06	APVD: F. Wheeler-King 12APR06	NAME: F. Wheeler-King
MATERIAL: -	FINISH: -	PRODUCT SPEC: -	APPLICATION SPEC: -	WEIGHT: -	SCALE: A2
CUSTOMER DRAWING			NO. OF POS: 8	PART NUMBER: 1838276-4	RESTRICTED TO: -

TE Connectivity  
 M12 PLASTIC FIELD SERVICEABLE CONNECTOR, FEMALE SOCKET, SOLDER TYPE  
 SHEET 1 OF 1 REV B1

## X-ON Electronics

Largest Supplier of Electrical and Electronic Components

*Click to view similar products for [Circular Metric Connectors](#) category:*

*Click to view products by [TE Connectivity](#) manufacturer:*

Other Similar products are found below :

[1424048](#) [1021212](#) [600X518037X](#) [6STD09SAM99B70X](#) [6STD15PCR99B70A](#) [8R4000A16M020](#) [1200910002](#) [1201150041](#) [1203580030](#)  
[1200700064](#) [1200700263](#) [1200700416](#) [1200730102](#) [1200770002](#) [1-2823588-2](#) [130203-0054](#) [1300140026](#) [1300150099](#) [1-3637-600-5205](#)  
[1545399](#) [1594331](#) [1600413](#) [1612606](#) [1612618](#) [1614660](#) [1A4000-348](#) [CA06EW24-10P-B-03](#) [21036836414](#) [2823064-1](#) [1610759](#) [A1642LK-](#)  
[II-T](#) [1R3006A20M005](#) [41-01016](#) [41-40011](#) [41-40017](#) [42-00006](#) [42-01015](#) [4-22279-4](#) [4-22281-1](#) [4-22284-9](#) [43-00002](#) [43-00113](#) [43-00130](#)  
[43-01028](#) [43-01034](#) [43-01088](#) [43-01090](#) [43-01203](#) [43-01209](#) [43-01335](#)