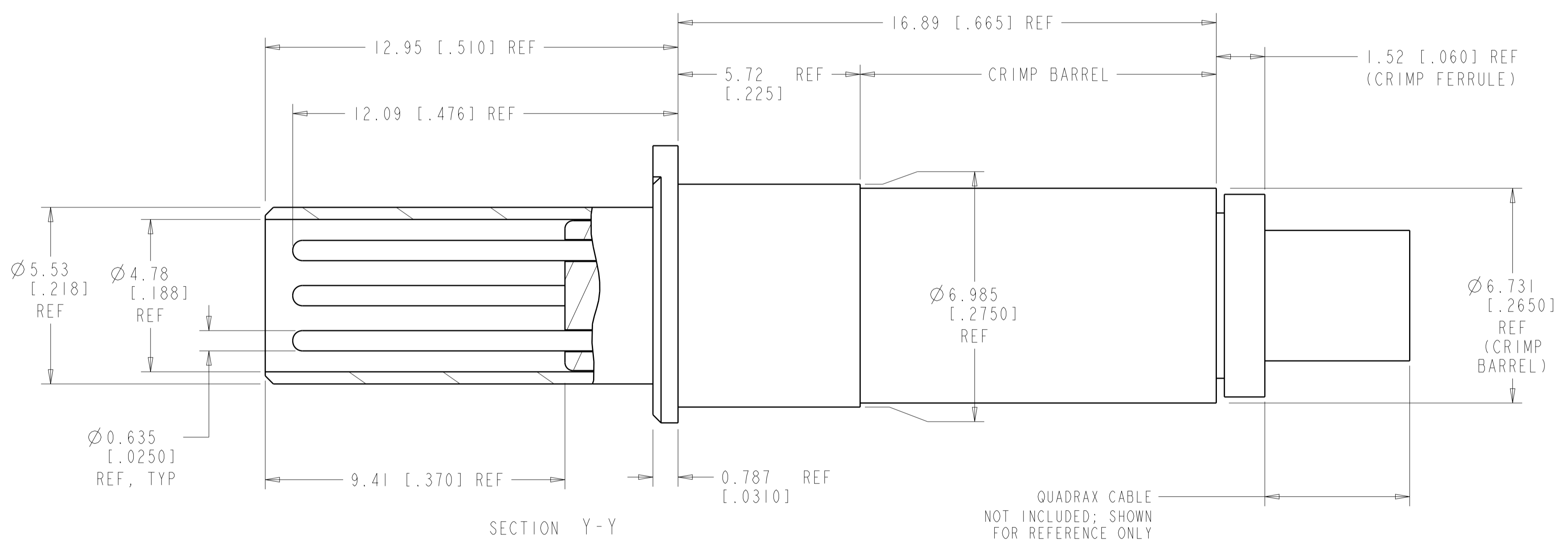
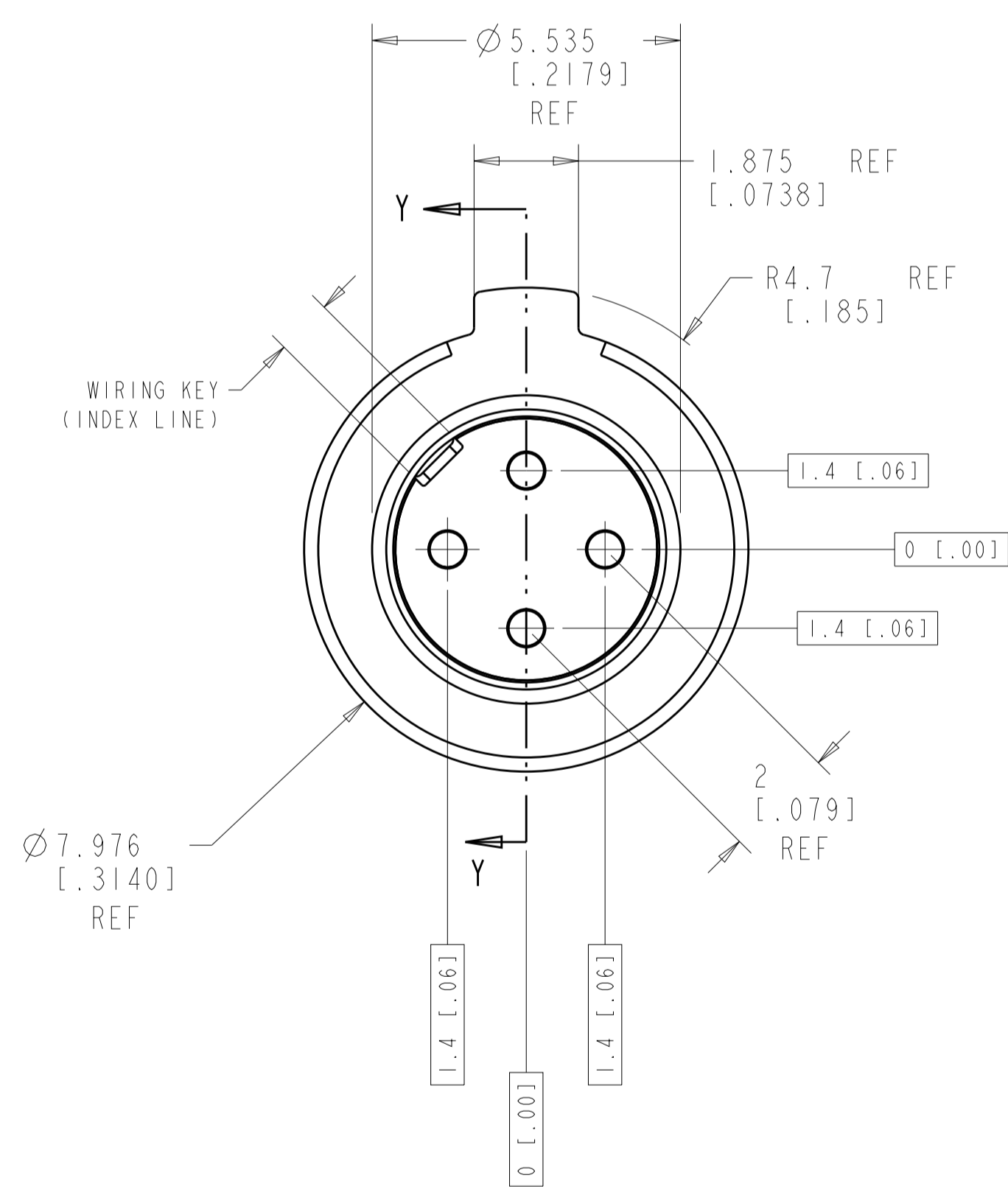
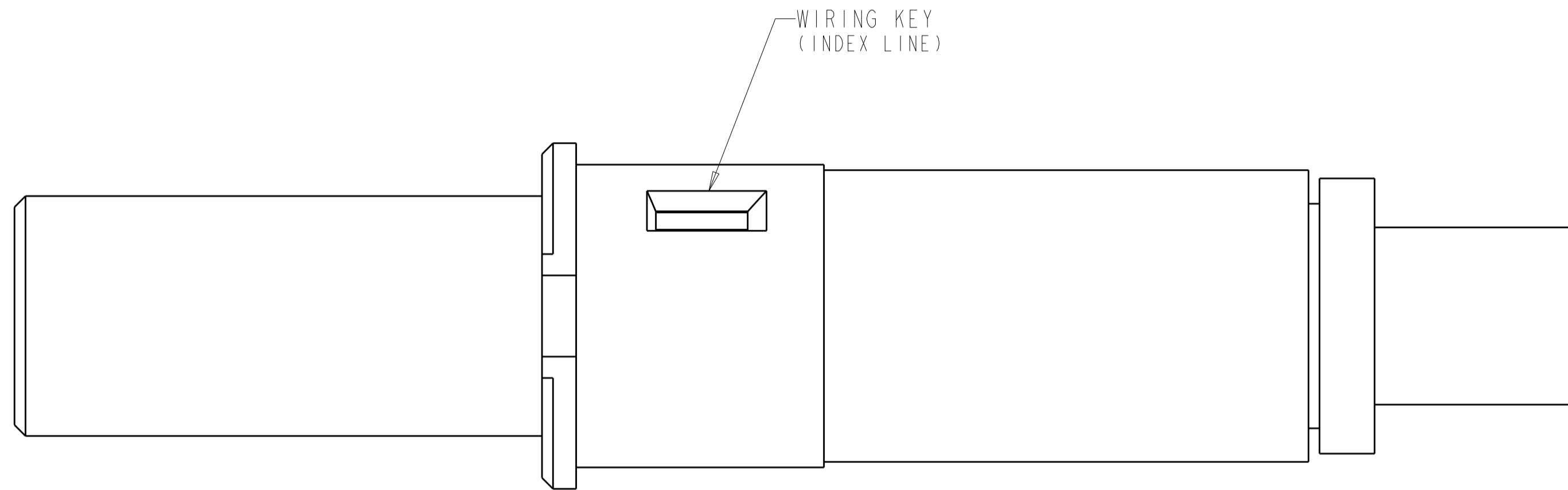
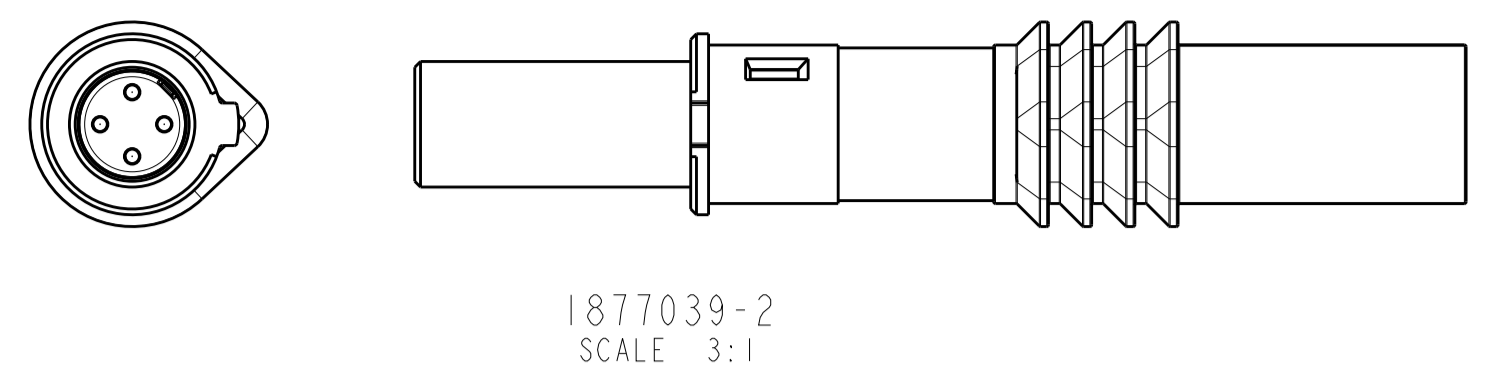
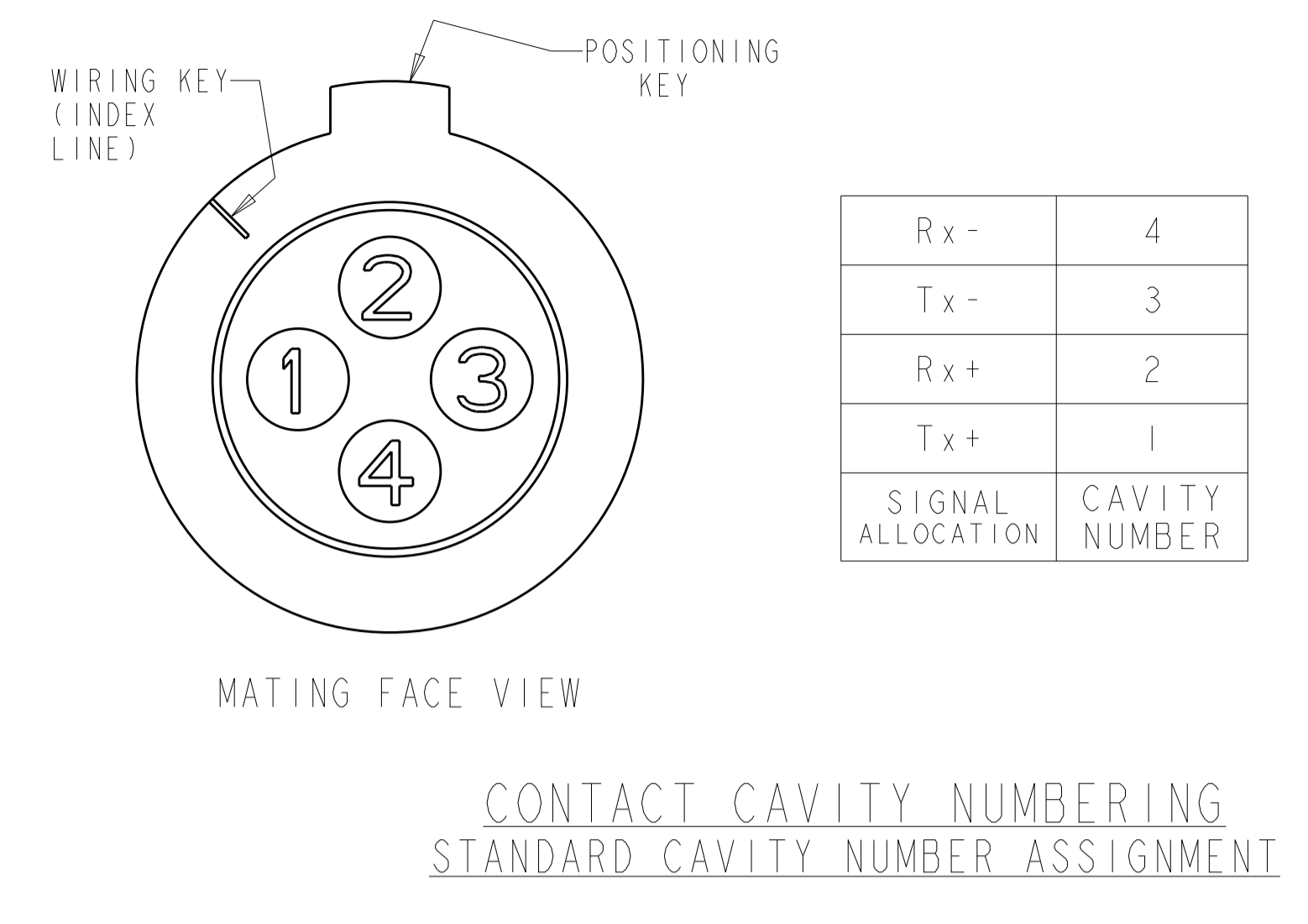


REVISIONS				
P.	LTM	DESCRIPTION	DATE	APVD
C		REV PER ECO-15-012764	12OCT2015	KG DM



BLUE	SAME AS -1 EXCEPT WITH WIRE SEAL	1877039-2
--	AS SHOWN; WITHOUT WIRE SEAL	1877039-1
SEAL COLOR	DESCRIPTION	PART NO.

- COMPONENTS ARE PACKAGED IN KIT FORM. CABLE MUST BE PURCHASED SEPARATELY. .231 HEX CRIMP WILL ALLOW ASSEMBLY OF SOME 150 OHM CABLES.
REFERENCE CABLES: TENSOLITE 26473/02006X-4(LD), RAYCHEM CEC-RWC-18684, RAYCHEM CEC-RWC-18680
- ASSEMBLY PER APPLICATION SPECIFICATION 114-13123. (.231 HEX CRIMP)
- USE INSERTION-EXTRACTION TOOL 1738894-1.

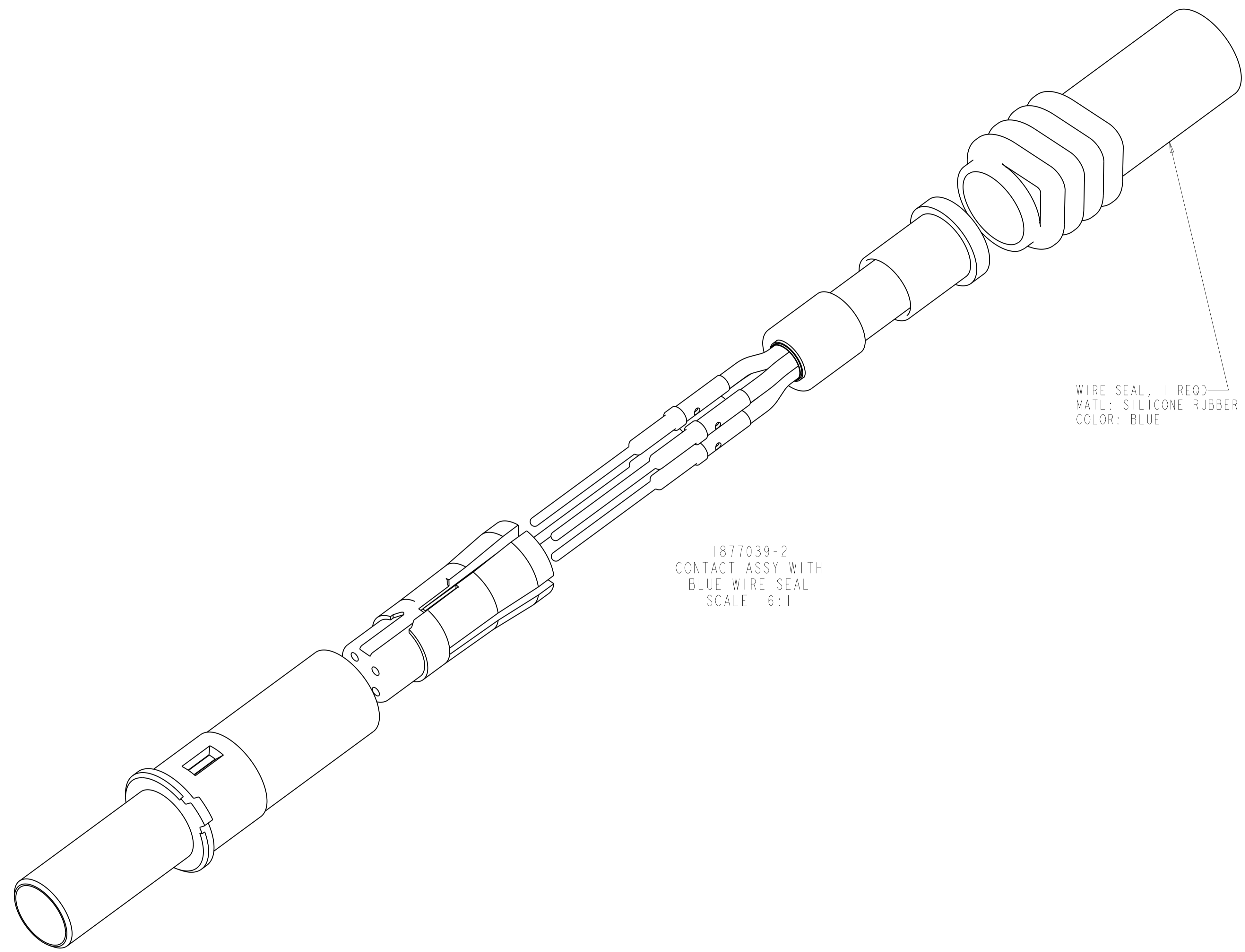
THIS DRAWING IS A CONTROLLED DOCUMENT.

DIMENSIONS: mm [INCH]	TOLERANCES UNLESS OTHERWISE SPECIFIED:	0 PLC ±.013 [0.005]	1 PLC ±0.2 [1.008]	2 PLC ±0.13 [1.0051]	3 PLC ±0.051 [1.002]	4 PLC ±.013 [0.005]	ANGLES ±.013 [0.005]	FINISH
-----------------------	--	---------------------	--------------------	----------------------	----------------------	---------------------	----------------------	--------

DWN: BH	04MAY05	 TE Connectivity
CHK: RW	04MAY05	
APP: RW	04MAY05	
PRODUCT SPEC		
MATERIAL		NAME: ASSEMBLY, PIN, QUADRAX, 2mm SQ, AIRCRAFT DATA NETWORK, RR/RR WITH PIN CONTACTS, .231 HEX CRIMP
WEIGHT		SIZE: A1
Customer Drawing		SCALE: 2:1 SHEET 1 OF 2 REV C

THIS DRAWING IS UNPUBLISHED. RELEASED FOR PUBLICATION 20
COPYRIGHT 20 BY - ALL RIGHTS RESERVED.

REVISIONS				
P.	LTN	DESCRIPTION	DATE	APVD
-	-	SEE SHEET 1	-	-



1877039-2
CONTACT ASSY WITH
BLUE WIRE SEAL
SCALE 6:1

WIRE SEAL, 1 REQD
MATL: SILICONE RUBBER
COLOR: BLUE

THIS DRAWING IS A CONTROLLED DOCUMENT.		DWN: 04MAY05	
DIMENSIONS: mm [INCH]		CHK: 04MAY05	
TOLERANCES UNLESS OTHERWISE SPECIFIED:		RW: 04MAY05	
0 PLC ±.013 (1.0051) 1 PLC ±0.2 (1.0083) 2 PLC ±0.13 (1.0051) 3 PLC ±0.051 (1.0023) 4 PLC ±. ANGLES ±. FINISH ±.		APVD: 04MAY05	
MATERIAL: -	FINISH: -	WEIGHT: -	NAME: ASSEMBLY, PIN, QUADRAX, 2mm SQ, AIRCRAFT DATA NETWORK, RR/RR WITH PIN CONTACTS, .231 HEX CRIMP SIZE: A1 CAGE CODE: - DRAWING NO: 1877039 RESTRICTED TO: - Customer Drawing SCALE: 2:1 SHEET 2 OF 2 REV C

X-ON Electronics

Largest Supplier of Electrical and Electronic Components

Click to view similar products for [Rack & Panel Connectors](#) category:

Click to view products by [TE Connectivity](#) manufacturer:

Other Similar products are found below :

[00170420102](#) [00171420202](#) [00171440002](#) [008026165000265](#) [00-8219-072-000-112P44](#) [008219072000112P5](#) [02-014-013-5200-000](#) [613467-000](#) [CTJ112E01E-513](#) [CTJ116E03A-513](#) [M81714/63-22S L/C](#) [M81714/65-12-1](#) [66020-2](#) [CW8958-000](#) [699886-000](#) [D250-50632](#)
[70.400.3240.0](#) [70.955.2453.3](#) [733753-000](#) [F22831-000](#) [780-522-DPX34RG8-02](#) [MMA25-0341D1](#) [8660-501](#) [87.060.0053.0](#) [900709N001](#)
[QRP4-12P-C\(01\)](#) [QR/P6-6S-C\(01\)](#) [AC-600003-004](#) [1218600-1](#) [D-659-0061](#) [DMC-MD 24 C-T](#) [1-445717-6](#) [1484398-2](#) [1484399-2](#) [1484469-2](#) [MR-34MG](#) [1484225-1](#) [1484398-1](#) [1604997-2](#) [1663130-1](#) [1663767-7](#) [1663767-8](#) [MTC100-BF1-P31CS015](#) [MTC100-KT2-0083](#) [MTC100-KT2-0123-003](#) [MTC100-YA1-005](#) [MTCB1X-105-XXX](#) [MTCPQKT1P2PGDC](#) [MTCPQKT1R2PGCA](#) [MTCR-103-04S](#)