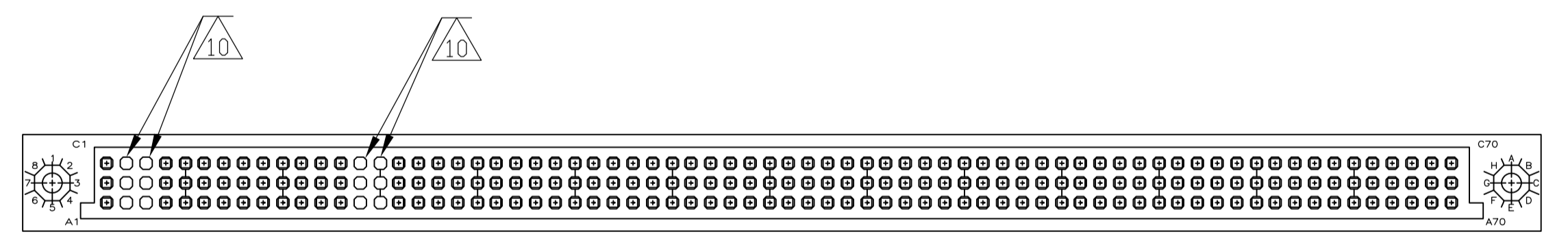
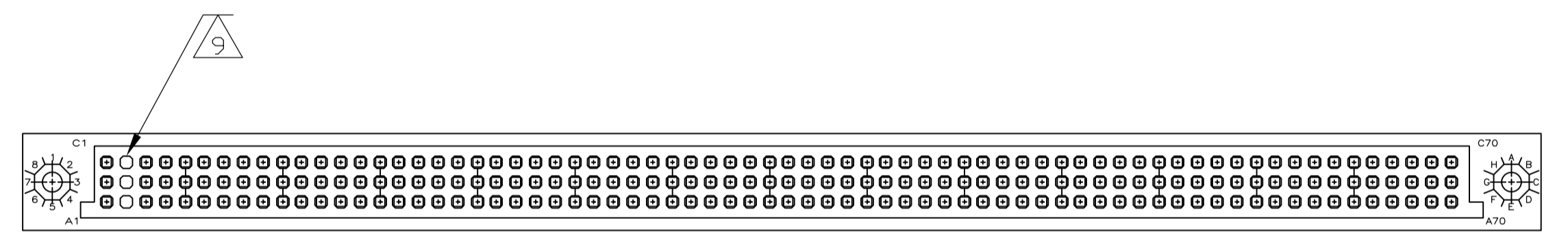
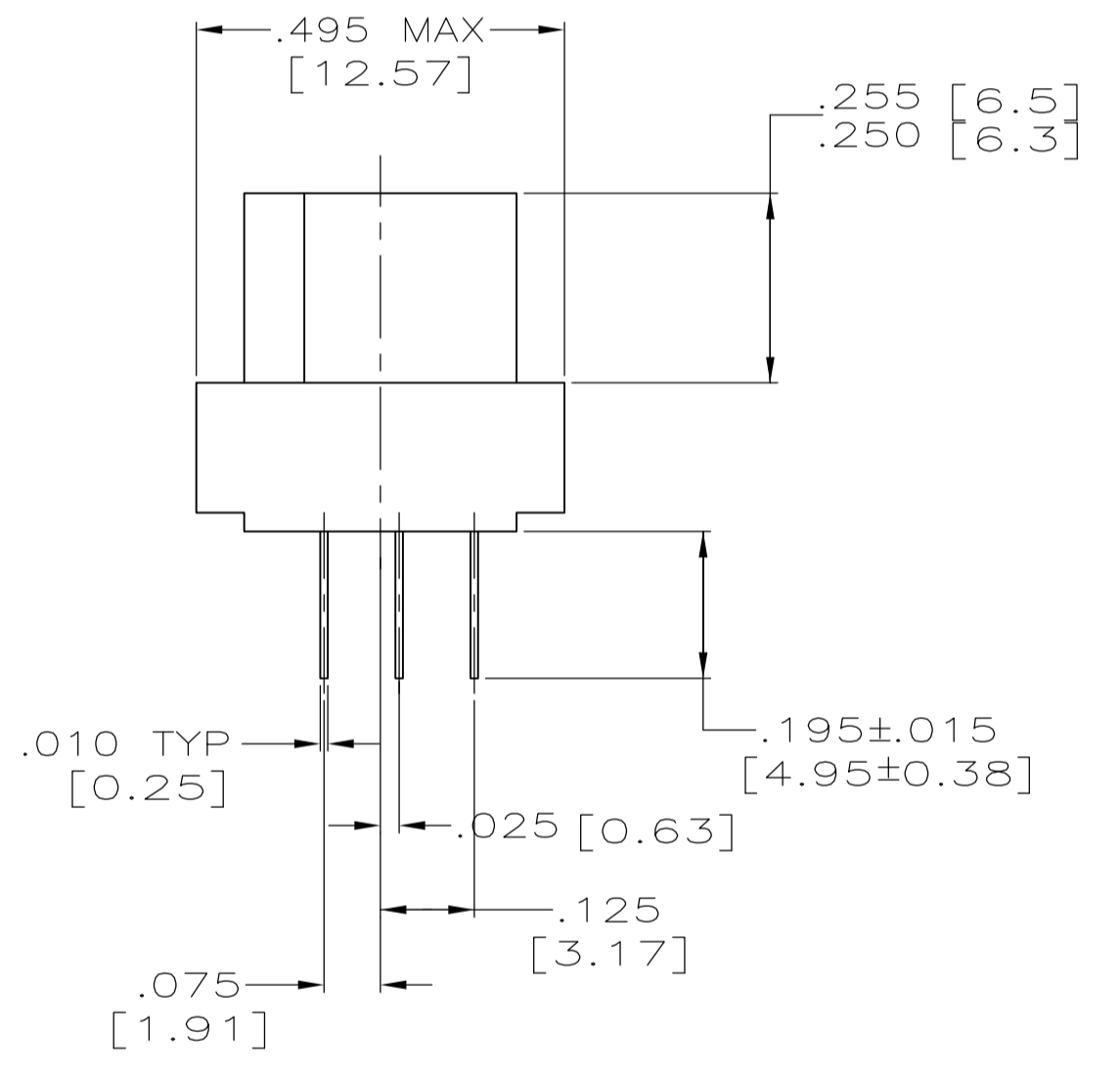
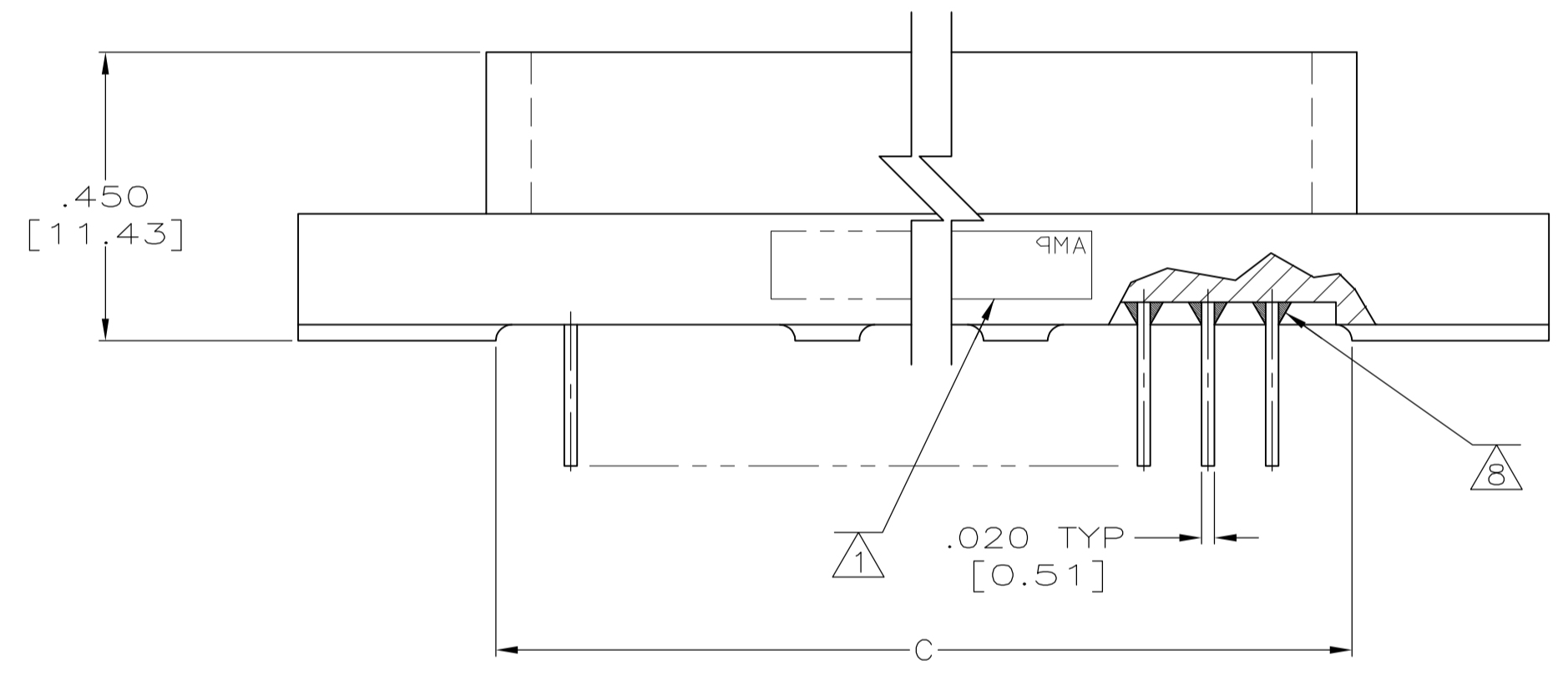
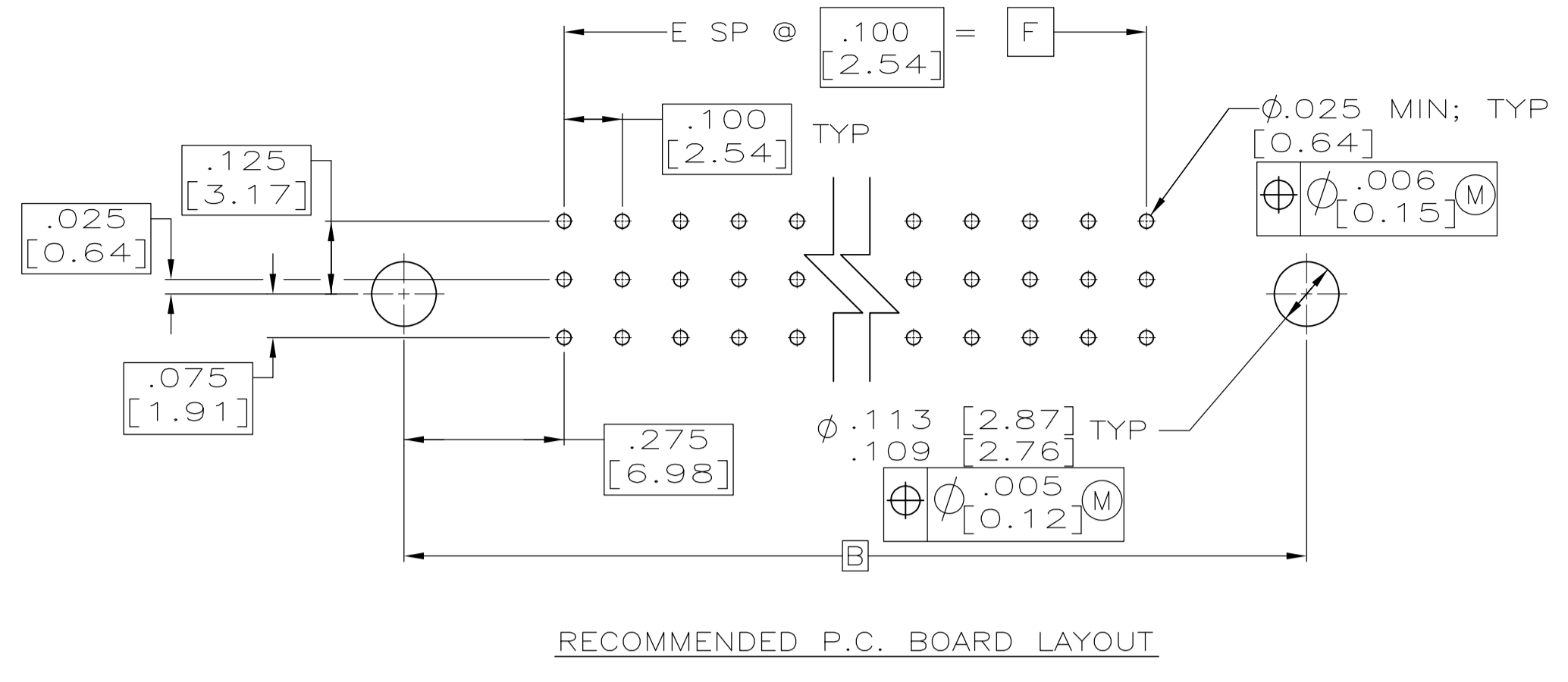
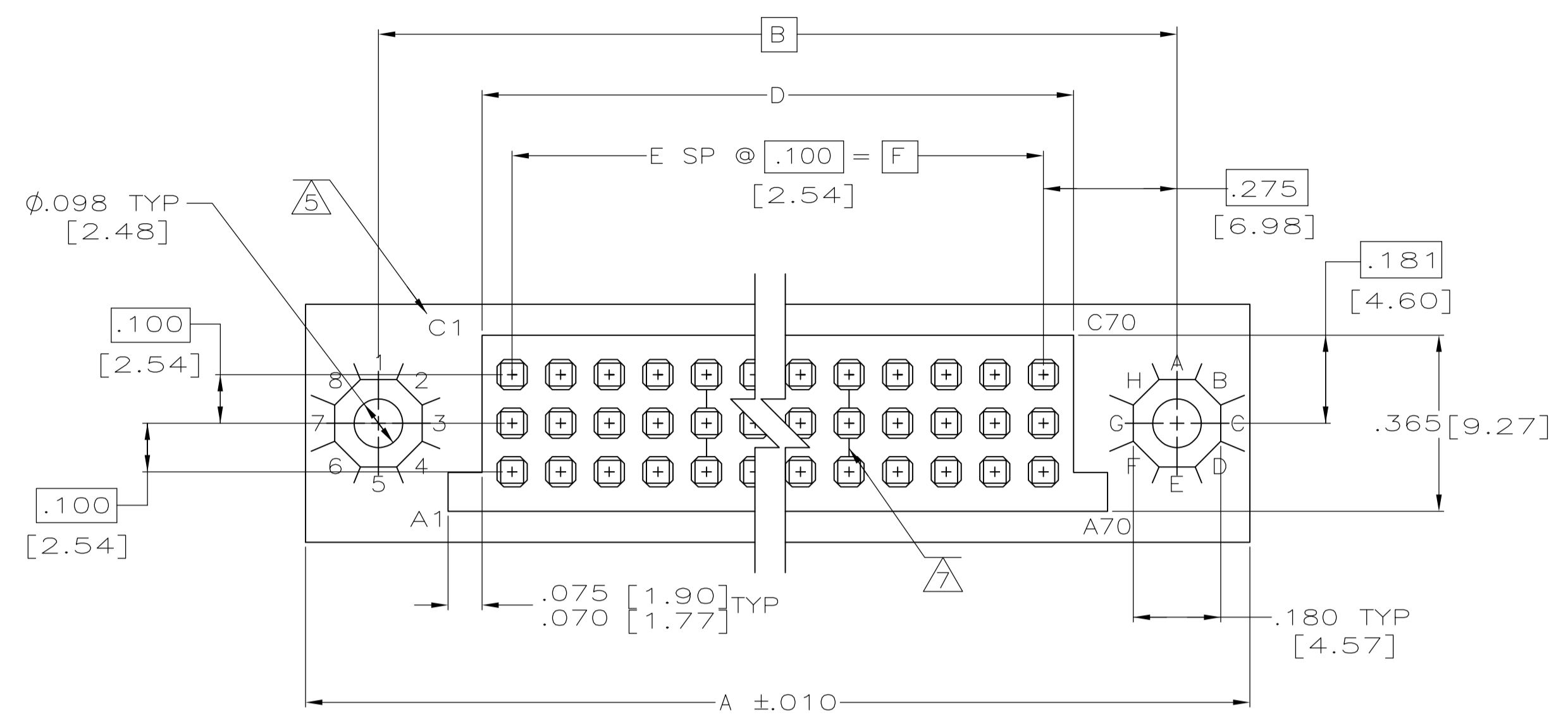


LOC		DIST		REVISIONS			
P	LTR	DESCRIPTION	DATE	DMN	APVD		
E	REV	PER ECO	10-009372	6-22-10	CT	DM	



- 1 CUSTOMER CAGE CODE AND PART NO.(SEE TABLE), 00779, DATE CODE, TE PART NO. AND AMP MARKED ON OPPOSITE SIDE.
- 2 HOUSING MAT'L: POLYPHENYLENE SULFIDE, GST-40F PER MIL-M-24519. COLOR: BROWN.
- 3 CONTACT MAT'L: BERYLLIUM COPPER PER ASTM B194 OR COPPER-NICKEL-SILICON PER UNS-C70260.
- 4 CONTACT FINISH: .000050" [0.00127] GOLD IN CONTACT AREA, .000100" [0.0025] TIN-LEAD ON SOLDER TAILS OVER .000030 [0.00076] NICKEL ON ENTIRE CONTACT.
- 5 LETTERS INDICATING OUTSIDE ROWS AND NUMBERS INDICATING END CAVITIES MARKED ON THIS SURFACE.
- 6. MEETS ALL REQUIREMENTS OF MIL-C-55302.
- 7 LINES INDICATING EVERY FIVE CAVITIES MARKED ON MATING FACE EXCEPT END CAVITIES STARTING AT POSN. #1.
- 8 EPOXY SEALANT ADDED TO PREVENT WICKING OF FLUX OR CONFORMAL COATING INTO THE CONTACT ENGAGEMENT AREA.
- 9 CONTACT REMOVED FROM POSITION A2, B2 & C2 FOR 1996169-1 ONLY. EMPTY CAVITIES ARE SEALED WITH EPOXY.
- 10 CONTACT REMOVED FROM POSITION A2, B2, C2, A3, B3, C3, A14, B14, C14, A15, B15 & C15 FOR 1996169-2 ONLY. EMPTY CAVITIES ARE SEALED WITH EPOXY.

REMARKS	CUSTOMER P/N	F	E	D	C	B	A	POSN	PART NO
10	04804-4A48273H04	6.900 [175.26]	69	7.024 [178.41]	7.125 [180.97]	7.450 [189.23]	7.750 [196.85]	198	1996169-2
9	04804-4A48273H03	6.900 [175.26]	69	7.024 [178.41]	7.125 [180.97]	7.450 [189.23]	7.750 [196.85]	207	1996169-1

THIS DRAWING IS A CONTROLLED DOCUMENT.

DIMENSIONS: INCHES [mm]	TOLERANCES UNLESS OTHERWISE SPECIFIED:	DIN C.C.THOMAS 2-6-08	APVD J.WEAVER 2-6-08	NAME J.WEAVER
0. PLC ± -	1. PLC ± -	2. PLC ± -	3. PLC ± .005 [0.13]	4. PLC ± -
ANGLES ± -				
MATERIAL -	FINISH -	WEIGHT -	SIZE A1	SCALE 4:1
CUSTOMER DRAWING		DRAWING NO. 00779		REVISIONS

Tyco Electronics Corporation  
 Harrisburg, PA 17105-3608

BOX RECEPTACLE ASS'Y, .100 C/L, 3-ROW, SEALED, .010 X .020 SOLDER TAIL, .025 OFFSET, SELECT LOAD

1996169

## X-ON Electronics

Largest Supplier of Electrical and Electronic Components

*Click to view similar products for [Headers & Wire Housings](#) category:*

*Click to view products by [TE Connectivity](#) manufacturer:*

Other Similar products are found below :

[95000-104TRLF](#) [10135584-644402LF](#) [DF62W-EP2022PCA](#) [95000-106TRLF](#) [DF62W-2022SCA](#) [DF62W-EP2022PC](#) [2203348](#) [DF62W-2022SC](#) [1084018](#) [1029039](#) [1084017](#) [802-10-012-10-002000](#) [1112640](#) [1112639](#) [000-34000](#) [0009482033](#) [0009507031](#) [57102-S06-03LF](#) [57202-S52-04LF](#) [PCN6-15S-2.5E](#) [0039019024](#) [58102-G61-06LF](#) [582553-1](#) [0009485154](#) [0009508121](#) [0022285053](#) [0050291907](#) [018731A](#) [LY20-4P-DT1-P1E-BR](#) [02.125.8002.8](#) [60101931](#) [60598-1 \(Cut Strip\)](#) [M1625-3R/100](#) [61062-3](#) [61082-181009](#) [636-1427](#) [638009-1](#) [641938-9](#) [641991-4](#) [644168-1](#) [647662-1](#) [65039-019ELF](#) [65817-002LF](#) [65817-015LF](#) [65863-015LF](#) [66207-023LF](#) [67016-026LF](#) [67046-001LF](#) [67095-007LF](#) [67230-005LF](#)